
**Technical product documentation
(TPD) — Technical drawings for
glassware**

*Documentation technique de produits (DTP) — Dessins techniques de
verrerie*

iTeh Standards
(<https://standards.iteh.ai>)
Document Preview

[ISO 6414:2020](https://standards.iteh.ai/catalog/standards/iso/44b94760-8b03-4821-96b3-30d9b0145845/iso-6414-2020)

<https://standards.iteh.ai/catalog/standards/iso/44b94760-8b03-4821-96b3-30d9b0145845/iso-6414-2020>



iTeh Standards
(<https://standards.iteh.ai>)
Document Preview

[ISO 6414:2020](https://standards.iteh.ai/catalog/standards/iso/44b94760-8b03-4821-96b3-30d9b0145845/iso-6414-2020)

<https://standards.iteh.ai/catalog/standards/iso/44b94760-8b03-4821-96b3-30d9b0145845/iso-6414-2020>



COPYRIGHT PROTECTED DOCUMENT

© ISO 2020

All rights reserved. Unless otherwise specified, or required in the context of its implementation, no part of this publication may be reproduced or utilized otherwise in any form or by any means, electronic or mechanical, including photocopying, or posting on the internet or an intranet, without prior written permission. Permission can be requested from either ISO at the address below or ISO's member body in the country of the requester.

ISO copyright office
CP 401 • Ch. de Blandonnet 8
CH-1214 Vernier, Geneva
Phone: +41 22 749 01 11
Fax: +41 22 749 09 47
Email: copyright@iso.org
Website: www.iso.org

Published in Switzerland

Contents

Page

Foreword	iv
Introduction	v
1 Scope	1
2 Normative references	1
3 Terms and definitions	1
4 General	1
5 Sections	2
5.1 Small sections.....	2
5.2 The combination of different materials.....	3
6 Special glassware indications	3
6.1 Interchangeable conical ground joint.....	3
6.2 Interchangeable spherical ground joint.....	3
7 Thin walls	4
7.1 Drawing of wall thickness.....	4
7.2 Indication of diameter.....	6
8 Tubes	7
8.1 Ends of tubes.....	7
8.2 Simplified coiled tubes.....	7
9 Sintered filters	8
10 Joints	9
10.1 General joints.....	9
10.2 The specification of adhesive.....	9
10.3 General removable parts.....	10
10.4 Simplified drawing.....	11
11 Composite glassware	11
Bibliography	13

Foreword

ISO (the International Organization for Standardization) is a worldwide federation of national standards bodies (ISO member bodies). The work of preparing International Standards is normally carried out through ISO technical committees. Each member body interested in a subject for which a technical committee has been established has the right to be represented on that committee. International organizations, governmental and non-governmental, in liaison with ISO, also take part in the work. ISO collaborates closely with the International Electrotechnical Commission (IEC) on all matters of electrotechnical standardization.

The procedures used to develop this document and those intended for its further maintenance are described in the ISO/IEC Directives, Part 1. In particular, the different approval criteria needed for the different types of ISO documents should be noted. This document was drafted in accordance with the editorial rules of the ISO/IEC Directives, Part 2 (see www.iso.org/directives).

Attention is drawn to the possibility that some of the elements of this document may be the subject of patent rights. ISO shall not be held responsible for identifying any or all such patent rights. Details of any patent rights identified during the development of the document will be in the Introduction and/or on the ISO list of patent declarations received (see www.iso.org/patents).

Any trade name used in this document is information given for the convenience of users and does not constitute an endorsement.

For an explanation of the voluntary nature of standards, the meaning of ISO specific terms and expressions related to conformity assessment, as well as information about ISO's adherence to the World Trade Organization (WTO) principles in the Technical Barriers to Trade (TBT) see www.iso.org/iso/foreword.html.

This document was prepared by Technical Committee ISO/TC 10, *Technical product documentation*, Subcommittee SC 6, *Mechanical engineering documentation*, in collaboration with the European Committee for Standardization (CEN) Technical Committee CEN/SS F01, *Technical drawings*, in accordance with the Agreement on technical cooperation between ISO and CEN (Vienna Agreement).

This second edition cancels and replaces the first edition (ISO 6414:1982), which has been technically revised.

The main changes to the previous edition are as follows:

- structure updated according to the ISO/IEC Directives, Part 2;
- referenced documents and Bibliography updated;
- addition of transparency in terms of observation and jacketed vessel (see 4.2 and Figure 1);
- surface treatment indication that is not unique to glassware deleted;
- indication of interchangeable conical ground joints updated (see Figure 3);
- indication of interchangeable spherical ground joints and figure added (see 6.2 and Figure 4);
- indication of external and internal diameters for thin walls added;
- diameter indications for thin-walled glassware updated (see Figures 7 to 9);
- Figure 18 b), necessary transition line, added for comparison with Figure 18 a), simplified drawing;
- Figure 17 from the previous edition updated to amend the font size of proportions (see Figure 19).

Any feedback or questions on this document should be directed to the user's national standards body. A complete listing of these bodies can be found at www.iso.org/members.html.

Introduction

In this document the figures merely illustrate the text and should not be considered as design examples. For this reason the figures are simplified and are not to scale.

For uniformity, all figures in this document are in first angle projection. It should be understood that alternative projection methods could have been used without prejudice to the principles established.

iTeh Standards
(<https://standards.iteh.ai>)
Document Preview

[ISO 6414:2020](https://standards.iteh.ai/catalog/standards/iso/44b94760-8b03-4821-96b3-30d9b0145845/iso-6414-2020)

<https://standards.iteh.ai/catalog/standards/iso/44b94760-8b03-4821-96b3-30d9b0145845/iso-6414-2020>

Technical product documentation (TPD) — Technical drawings for glassware

1 Scope

This document establishes rules and conventions for particular use with technical drawings on glassware, for example, laboratory glassware or glassware used in other technical fields.

Optical parts are not, however, included herein.

2 Normative references

The following documents are referred to in the text in such a way that some or all of their content constitutes requirements of this document. For dated references, only the edition cited applies. For undated references, the latest edition of the referenced document (including any amendments) applies.

ISO 128-34:2001, *Technical product drawings — General principles of presentation — Part 34: Views on mechanical engineering drawings*

ISO 128-50:2001, *Technical drawings — General principles of presentation — Part 50: Basic conventions for representing areas on cuts and sections*

ISO 129-1:2018, *Technical product documentation (TPD) — Presentation of dimensions and tolerances — Part 1: General principles*

ISO 383, *Laboratory glassware — Interchangeable conical ground joints*

ISO 641, *Laboratory glassware — Interchangeable spherical ground joints*

ISO 4793, *Laboratory sintered (fritted) filters — Porosity grading, classification and designation*

ISO 10209, *Technical product documentation — Vocabulary — Terms relating to technical drawings, product definition and related documentation*

3 Terms and definitions

For the purposes of this document, the terms and definitions given in ISO 10209 apply.

ISO and IEC maintain terminological databases for use in standardization at the following addresses:

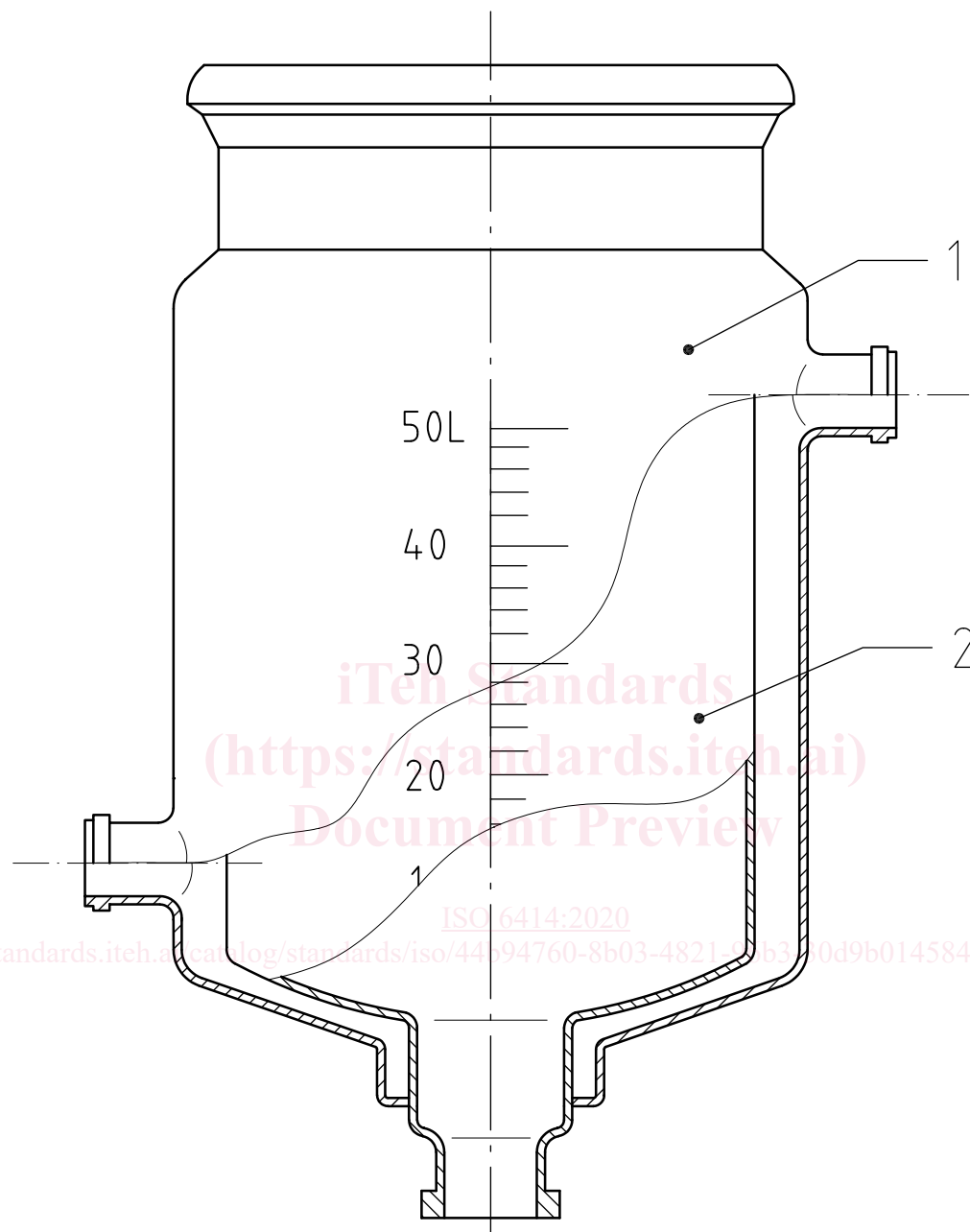
- ISO Online browsing platform: available at <https://www.iso.org/obp>
- IEC Electropedia: available at <http://www.electropedia.org/>

4 General

4.1 As a general principle, all glassware shall be drawn as if it were non-transparent (opaque), according to ISO 128-34:2001, Clause 15.

4.2 In terms of observation of calibration, font and pointer, the outer glassware shall be drawn as a transparency. An example of an inner component and a jacket component glassware drawing is shown in

Figure 1, in which the calibration is on the inner component and the jacket component is transparent in terms of observation.



Key

- 1 jacket component
- 2 inner component

Figure 1 — The jacketed vessel

5 Sections

5.1 Small sections

Small sections may be blackened, conforming with ISO 128-50:2001, Clause 8, provided that the distance between their outlines on the actual drawing is not larger than 3 mm. If larger, the section shall be hatched. For thin-walled parts, see 7.1.

5.2 The combination of different materials

Parts of different materials, such as glass-metal seals which are fused together and shown in section, shall be hatched differently (see [Figure 2](#)).

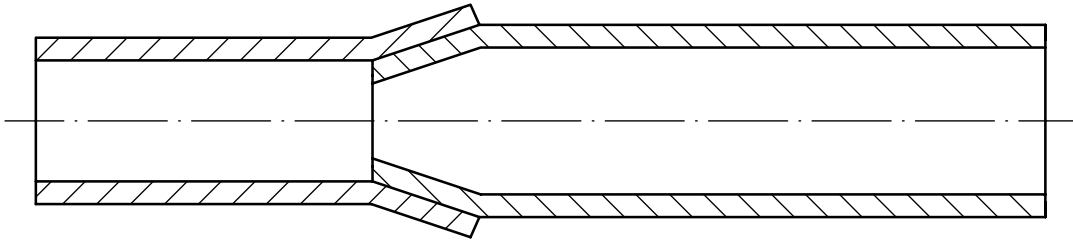
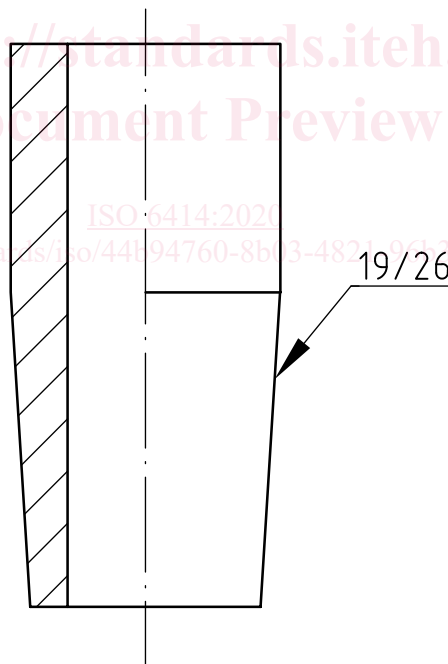


Figure 2 — Different materials in section

6 Special glassware indications

6.1 Interchangeable conical ground joint

Interchangeable conical ground joints conforming with the requirements of ISO 383 shall be designated in the manner described therein. Accordingly, no detailed dimensioning of that portion and no indication of the surface finish are required. An example of a code identification for interchangeable conical ground joints is shown in [Figure 3](#).



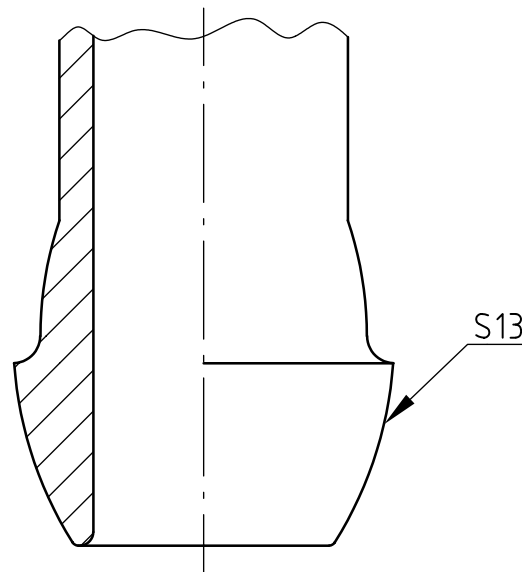
NOTE “19/26” is the dimension code of interchangeable conical ground joint. “19” represents the diameter of large end after rounding off (the actual dimension value is 18,8 mm) and “26” represents the axial length of the grinding surface.

Figure 3 — Interchangeable conical ground joints

6.2 Interchangeable spherical ground joint

Interchangeable spherical ground joints conforming with the requirements of ISO 641 shall be designated in the manner described therein. Accordingly, no detailed dimensioning of that portion and

no indication of the surface finish are required. An example of a code identification for interchangeable spherical ground joints is shown in [Figure 4](#).



NOTE “S13” is the dimension code number of spherical ground joint. “S” means the spherical ground joint and “13” means the spherical diameter after rounding off (the actual size is 12,7 mm).

Figure 4 — Interchangeable spherical ground joints 5

7 Thin walls

7.1 Drawing of wall thickness

When drawn in section, thin walls shall be represented, in spite of their real wall thickness, by lines with a thickness of at least twice that used for visible outlines (see [Figures 5, 6, 7, 8, 9](#) and [10](#)).