

# DRAFT INTERNATIONAL STANDARD

## ISO/DIS 21628

ISO/TC 23/SC 13

Secretariat: ANSI

Voting begins on:  
2019-08-06

Voting terminates on:  
2019-10-29

---

---

## Gardening machinery — Powered material-collecting systems — Safety

*Matériel de jardinage — Systèmes motorisés de collecte des matériaux — Sécurité*

ICS: 65.060.70

**iTeh STANDARD PREVIEW**  
(standards.iteh.ai)  
Full standard:  
<https://standards.iteh.ai/catalog/standards/sist/4e4fdcec-d9a0-48be-8712-b42af1e1580b/iso-dis-21628>

THIS DOCUMENT IS A DRAFT CIRCULATED FOR COMMENT AND APPROVAL. IT IS THEREFORE SUBJECT TO CHANGE AND MAY NOT BE REFERRED TO AS AN INTERNATIONAL STANDARD UNTIL PUBLISHED AS SUCH.

IN ADDITION TO THEIR EVALUATION AS BEING ACCEPTABLE FOR INDUSTRIAL, TECHNOLOGICAL, COMMERCIAL AND USER PURPOSES, DRAFT INTERNATIONAL STANDARDS MAY ON OCCASION HAVE TO BE CONSIDERED IN THE LIGHT OF THEIR POTENTIAL TO BECOME STANDARDS TO WHICH REFERENCE MAY BE MADE IN NATIONAL REGULATIONS.

RECIPIENTS OF THIS DRAFT ARE INVITED TO SUBMIT, WITH THEIR COMMENTS, NOTIFICATION OF ANY RELEVANT PATENT RIGHTS OF WHICH THEY ARE AWARE AND TO PROVIDE SUPPORTING DOCUMENTATION.

This document is circulated as received from the committee secretariat.



Reference number  
ISO/DIS 21628:2019(E)

© ISO 2019

**iTeh STANDARD PREVIEW**  
(standards.iteh.ai)  
Full standard:  
<https://standards.iteh.ai/catalog/standards/sist/4e4fdcec-d9a0-48be-8712-b42af1e1580b/iso-dis-21628>



**COPYRIGHT PROTECTED DOCUMENT**

© ISO 2019

All rights reserved. Unless otherwise specified, or required in the context of its implementation, no part of this publication may be reproduced or utilized otherwise in any form or by any means, electronic or mechanical, including photocopying, or posting on the internet or an intranet, without prior written permission. Permission can be requested from either ISO at the address below or ISO's member body in the country of the requester.

ISO copyright office  
CP 401 • Ch. de Blandonnet 8  
CH-1214 Vernier, Geneva  
Phone: +41 22 749 01 11  
Fax: +41 22 749 09 47  
Email: [copyright@iso.org](mailto:copyright@iso.org)  
Website: [www.iso.org](http://www.iso.org)

Published in Switzerland

# Contents

	Page
Foreword .....	iv
Introduction .....	v
<b>1 Scope .....</b>	<b>1</b>
<b>2 Normative references .....</b>	<b>1</b>
<b>3 Terms and definitions .....</b>	<b>1</b>
<b>4 Safety requirements .....</b>	<b>2</b>
4.1 Fundamental principles, design guidance .....	2
4.2 Access to the blower .....	2
4.2.1 Suction (inlet) side .....	2
4.2.2 Discharge chute .....	2
4.3 Direction of airflow .....	4
4.4 Hopper discharge .....	4
4.5 Stability .....	4
4.6 Clearance zone of mounted machines .....	4
4.7 Hydraulics .....	4
<b>5 Information for use .....</b>	<b>5</b>
5.1 Operator's manual .....	5
5.2 Safety and instructional signs .....	5

**ITeH STANDARD PREVIEW**  
 (standards.iteh.ai)

Full standard:  
<https://standards.iteh.ai/catalog/standards/sis/4e4fdccc-d9a0-48be-8712-b42af1e1580b/iso-dis-21628>

## Foreword

ISO (the International Organization for Standardization) is a worldwide federation of national standards bodies (ISO member bodies). The work of preparing International Standards is normally carried out through ISO technical committees. Each member body interested in a subject for which a technical committee has been established has the right to be represented on that committee. International organizations, governmental and non-governmental, in liaison with ISO, also take part in the work. ISO collaborates closely with the International Electrotechnical Commission (IEC) on all matters of electrotechnical standardization.

The procedures used to develop this document and those intended for its further maintenance are described in the ISO/IEC Directives, Part 1. In particular the different approval criteria needed for the different types of ISO documents should be noted. This document was drafted in accordance with the editorial rules of the ISO/IEC Directives, Part 2 (see [www.iso.org/directives](http://www.iso.org/directives)).

Attention is drawn to the possibility that some of the elements of this document may be the subject of patent rights. ISO shall not be held responsible for identifying any or all such patent rights. Details of any patent rights identified during the development of the document will be in the Introduction and/or on the ISO list of patent declarations received (see [www.iso.org/patents](http://www.iso.org/patents)).

Any trade name used in this document is information given for the convenience of users and does not constitute an endorsement.

For an explanation on the voluntary nature of standards, the meaning of ISO specific terms and expressions related to conformity assessment, as well as information about ISO's adherence to the World Trade Organization (WTO) principles in the Technical Barriers to Trade (TBT) see the following URL: [www.iso.org/iso/foreword.html](http://www.iso.org/iso/foreword.html).

This document was prepared by Technical Committee ISO/TC 23, *Tractors and machinery for agriculture and forestry*, Subcommittee SC 13, *Powered lawn and garden equipment*.

This second edition cancels and replaces the first edition (ISO 21628:2008), which has been technically revised.

The main changes compared to the previous edition are as follows:

- Replacing withdrawn references to ISO standards with references to current standards.
- Incorporating scope changes from ISO 21628:2008 Amendment 1.

## Introduction

The structure of safety standards in the field of machinery is as follows:

- a) type-A standards (basic safety standards) give basic concepts, principle for design, and general aspects that can be applied to machinery;
- b) type-B standards (generic safety standards) dealing with one safety aspect(s) or one or more type(s) of safeguards that can be used across a wide range of machinery:
  - type-B1 standards on particular safety aspects (e.g. safety distances, surface temperature, noise);
  - type-B2 standards on safeguards (e.g. two-hand controls, interlocking devices, pressure sensitive devices, guards);
- c) type-C standards (machinery safety standards) dealing with detailed safety requirements for a particular machine or group of machines.

This document is a type C standard as stated in ISO 12100-1.

When provisions of this type C standard are different from those which are stated in type A or B standards, the provisions of this type C standard take precedence over the provisions of the other standards for machines that have been designed and built according to the provisions of this type C standard.

The machinery concerned and the extent to which hazards, hazardous situations and events are covered are indicated in the scope of this document. These hazards are specific to material collecting systems.

**iTeh STANDARD PREVIEW**  
**(standards.iteh.ai)**

Full standard:  
<https://standards.iteh.ai/catalog/standards/sist/4e4fdcec-d9a0-48be-8712-b42afe1580b/iso-dis-21628>

# Gardening machinery — Powered material-collecting systems — Safety

## 1 Scope

This International Standard gives safety requirements and the means for their verification specific to the design and construction of powered material-collecting systems used in agriculture, gardening and area maintenance (e.g. landscaping). It is applicable to mounted, semi-mounted or trailed machines manufactured after the date of its publication.

It specifies means for eliminating or reducing mechanical hazards when the material-collecting system is used as intended.

It does not deal with environmental hazards, road safety, electromagnetic compatibility, power take-off (PTO), PTO drive shaft guarding or control requirements.

It is not applicable to machines within the scope of ISO 5395-2 or ISO 5395-3.

## 2 Normative references

The following documents, in whole or in part, are normatively referenced in this document and are indispensable for its application. For dated references, only the edition cited applies. For undated references, the latest edition of the referenced standard (including any amendments) applies.

ISO 730, *Agricultural wheeled tractors — Rear-mounted three-point linkage — Categories 1N, 1, 2N, 2, 3N, 3, 4N and 4*

ISO 2332, *Agricultural tractors and machinery — Connection of implements via three-point linkage — Clearance zone around implement*

ISO 3600, *Tractors, machinery for agriculture and forestry, powered lawn and garden equipment — Operator's manuals — Content and format*

ISO 4413, *Hydraulic fluid power — General rules and safety requirements for systems and their components*

ISO 11684, *Tractors, machinery for agriculture and forestry, powered lawn and garden equipment — Safety signs and hazard pictorials — General principles*

ISO 12100:2010, *Safety of machinery — General principles for design — Risk assessment and risk reduction*

ISO 13857:2008, *Safety of machinery — Safety distances to prevent hazard zones being reached by upper and lower limbs*

ISO 13849-1, *Safety of machinery — Safety-related parts of control systems — Part 1: General principles for design*

## 3 Terms and definitions

For the purposes of this document, the following terms and definitions apply.

**3.1  
material collecting system**

mounted, semi-mounted or trailed machine used to collect grass and leaves by means of a vacuum provided by a blower

Note 1 to entry: The collected material can include other organic or non organic material present as debris on the working area.

**3.2  
discharge opening**

opening of the blower casing at the suction side to which the suction hose or pipe is connected

**3.3  
discharge chute**

opening of the blower casing allowing the transport of the material from the blower to the hopper

**3.4  
normal operation and service**

intended use of the machine in compliance with the information for operation, service and safe practices

**4 Safety requirements**

**4.1 Fundamental principles, design guidance**

The machine shall be designed according to the principles of risk reduction specified in ISO 12100:2010, Clause 5, for hazards relevant but not significant.

Unless specified otherwise in this International Standard, openings and relative safety distances shall be in accordance with ISO 13857:2008, Tables 1, 3, 4 and 6.

**4.2 Access to the blower**

**4.2.1 Suction (inlet) side**

The suction hose or pipe shall be fixed to the inlet device. The removal of the suction hose or pipe shall not be possible except by using a tool. The operator's manual shall include information about the removal of blockages [see 5.1.2 e)].

**4.2.2 Discharge chute**

**4.2.2.1** The maximum size of the discharge chute opening shall be 625 cm<sup>2</sup>.

**4.2.2.2** To prevent access to hazardous parts of the blower, the machine shall comply with at least one of the following:

- a) The minimum distance between the discharge chute opening and the outer contour of the blower shall be 850 mm.

The safety distance is measured as chain measurement.

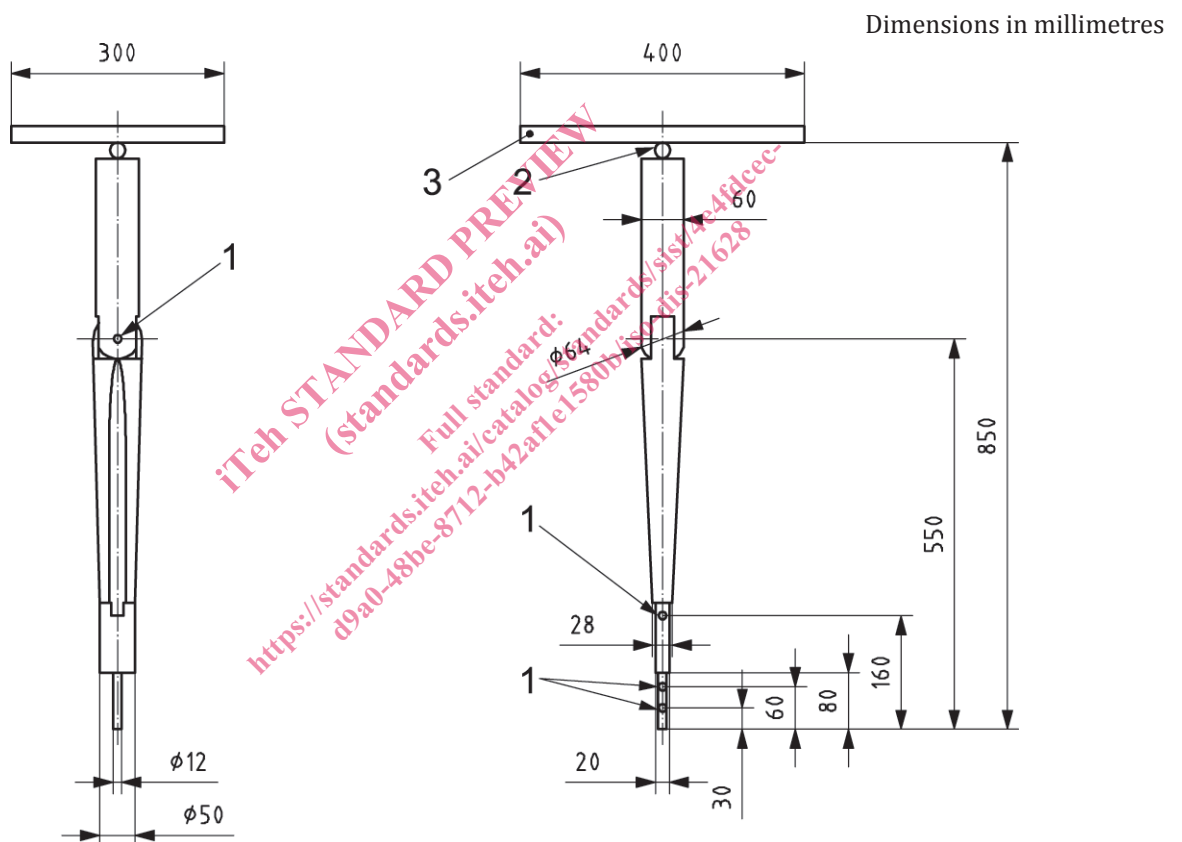
- b) The minimum distance between the contour or parts of the machine restricting access to the blower and the outer contour of the blower shall be 850 mm. This requirement shall be verified using the arm test probe shown in [Figure 1](#). The probe shall be applied in all directions in which the operator's arm could be used and in the shaded area shown in [Figure 2](#). The 850 mm safety



distance shall apply beneath the height of this shaded area, i.e. beneath a height of 700 mm. See [Figure 2](#).

The plate of the probe shall be kept parallel to the machine. The arm test probe shall be applied with a force not exceeding 20 N.

- c) The discharge chute opening shall be in accordance with ISO 13857:2008, Tables 1, 3, 4 and 6. If this is achieved by additional means, such means shall be in place whenever operator access to the discharge chute opening is possible. They shall not be removable except using a tool and shall correspond to ISO 13849-1, category 1.
- d) Means shall be provided to stop the blower — for example, when raising or opening the hopper — before direct operator access such as that described in b), above, is possible.
- e) Means shall be provided to stop the blower — for example, when raising or opening the hopper — before direct operator access such as that described in b), above, is possible.



#### Key

- 1 articulation allowing rotation of  $\pm 90^\circ$  about articulation axis
- 2 articulation allowing free rotation
- 3 plate representing the upper body

**Figure 1 — Arm test probe**