

ISO/TC 221

Secretariat: BSI

Voting begins on:
2020-07-17

Voting terminates on:
2020-09-11

Geotextiles and geotextile-related products — Determination of water flow capacity in their plane —

Part 1: Index test

Géotextiles et produits apparentés — Détermination de la capacité de débit dans leur plan —

Partie 1: Essai index

RECIPIENTS OF THIS DRAFT ARE INVITED TO SUBMIT, WITH THEIR COMMENTS, NOTIFICATION OF ANY RELEVANT PATENT RIGHTS OF WHICH THEY ARE AWARE AND TO PROVIDE SUPPORTING DOCUMENTATION.

IN ADDITION TO THEIR EVALUATION AS BEING ACCEPTABLE FOR INDUSTRIAL, TECHNOLOGICAL, COMMERCIAL AND USER PURPOSES, DRAFT INTERNATIONAL STANDARDS MAY ON OCCASION HAVE TO BE CONSIDERED IN THE LIGHT OF THEIR POTENTIAL TO BECOME STANDARDS TO WHICH REFERENCE MAY BE MADE IN NATIONAL REGULATIONS.

ISO/CEN PARALLEL PROCESSING



Reference number
ISO/FDIS 12958-1:2020(E)

iTeh STANDARD PREVIEW
(standards.iteh.ai)
Full standard:
<https://standards.iteh.ai/catalog/standards/sist/7e5b83b3-5ff7-4aff-bf22-4118feab2bd4/iso-fdis-12958-1>



COPYRIGHT PROTECTED DOCUMENT

© ISO 2020

All rights reserved. Unless otherwise specified, or required in the context of its implementation, no part of this publication may be reproduced or utilized otherwise in any form or by any means, electronic or mechanical, including photocopying, or posting on the internet or an intranet, without prior written permission. Permission can be requested from either ISO at the address below or ISO's member body in the country of the requester.

ISO copyright office
CP 401 • Ch. de Blandonnet 8
CH-1214 Vernier, Geneva
Phone: +41 22 749 01 11
Email: copyright@iso.org
Website: www.iso.org

Published in Switzerland

Contents

	Page
Foreword	iv
1 Scope	1
2 Normative references	1
3 Terms and definitions	1
4 Principle	2
5 Apparatus and materials	2
6 Specimens	6
6.1 Handling	6
6.2 Selection	6
6.3 Number and dimensions	6
6.4 Specimen condition	7
7 Test procedure	7
8 Calculations and expression of results	8
8.1 Products with a continuous structure (i.e. with no discrete draining elements)	8
8.2 Products with discrete draining elements	8
8.3 Graphical representation	9
9 Test report	10
Annex A (informative) Determination of the correction factor R_T for conversion to a water temperature of 20 °C	11
Annex B (informative) Experimental data and calculations for a specimen	13
Bibliography	14

Foreword

ISO (the International Organization for Standardization) is a worldwide federation of national standards bodies (ISO member bodies). The work of preparing International Standards is normally carried out through ISO technical committees. Each member body interested in a subject for which a technical committee has been established has the right to be represented on that committee. International organizations, governmental and non-governmental, in liaison with ISO, also take part in the work. ISO collaborates closely with the International Electrotechnical Commission (IEC) on all matters of electrotechnical standardization.

The procedures used to develop this document and those intended for its further maintenance are described in the ISO/IEC Directives, Part 1. In particular, the different approval criteria needed for the different types of ISO documents should be noted. This document was drafted in accordance with the editorial rules of the ISO/IEC Directives, Part 2 (see www.iso.org/directives).

Attention is drawn to the possibility that some of the elements of this document may be the subject of patent rights. ISO shall not be held responsible for identifying any or all such patent rights. Details of any patent rights identified during the development of the document will be in the Introduction and/or on the ISO list of patent declarations received (see www.iso.org/patents).

Any trade name used in this document is information given for the convenience of users and does not constitute an endorsement.

For an explanation of the voluntary nature of standards, the meaning of ISO specific terms and expressions related to conformity assessment, as well as information about ISO's adherence to the World Trade Organization (WTO) principles in the Technical Barriers to Trade (TBT) see www.iso.org/iso/foreword.html.

This document was prepared by Technical Committee ISO/TC 221, *Geosynthetics*.

This first edition of ISO 12958-1, together with ISO 12958-2, cancels and replaces ISO 12958:2010, which has been technically revised.

The main changes to ISO 12958:2010 are as follows:

- introduction of the concept of index versus performance test;
- permission given to test using rigid/rigid, soft/soft or soft/rigid boundaries;
- addition of guidance for testing cusped sheets on a single side and for testing multilinear drainage geocomposites;
- withdrawal of apparatus types b) and c);
- several cosmetic improvements, in particular terms and definitions, procedure, calculation and reporting.

A list of all parts in the ISO 12958 series can be found on the ISO website.

Any feedback or questions on this document should be directed to the user's national standards body. A complete listing of these bodies can be found at www.iso.org/members.html.

Geotextiles and geotextile-related products — Determination of water flow capacity in their plane —

Part 1: Index test

1 Scope

This document specifies a method for determining the constant-head water flow capacity within the plane of a geotextile or geotextile-related product. This document describes the in-plane water flow index test, only applicable to factory-assembled products. For the in-plane water flow performance test, see ISO 12958-2.

2 Normative references

The following documents are referred to in the text in such a way that some or all of their content constitutes requirements of this document. For dated references, only the edition cited applies. For undated references, the latest edition of the referenced document (including any amendments) applies.

ISO 2854, *Statistical interpretation of data — Techniques of estimation and tests relating to means and variances*

ISO 5813, *Water quality — Determination of dissolved oxygen — Iodometric method*

ISO 9862, *Geosynthetics — Sampling and preparation of test specimens*

ISO 9863-1, *Geosynthetics — Determination of thickness at specified pressures — Part 1: Single layers*

ISO 10320, *Geosynthetics — Identification on site*

3 Terms and definitions

For the purposes of this document, the following terms and definitions apply.

ISO and IEC maintain terminological databases for use in standardization at the following addresses:

- ISO Online browsing platform: available at <https://www.iso.org/obp>
- IEC Electropedia: available at <http://www.electropedia.org/>

3.1

normal compressive stress

σ

compressive stress normal to the plane of the geotextile or geotextile-related product, expressed in kilopascals [kPa]

3.2

in-plane flow

Q

fluid flow within the geotextile or geotextile-related product and parallel to its plane, expressed in litres per second [l/s]

3.3 in-plane water flow capacity

$q_{p \text{ index}(\sigma/i)}$
volumetric flow rate of water per unit width of specimen at a defined normal compressive stress (σ), hydraulic gradient (i), measured in the present index test and expressed in litres per second per meter [l/(s·m)]

Note 1 to entry: The term 'transmissivity' is related to laminar flow conditions only and equals the water flow capacity at a hydraulic gradient equal to unity. As non-laminar flow may occur, the term 'water flow capacity' is preferred.

3.4 hydraulic gradient

i
ratio of the head loss in the geotextile or geotextile-related product specimen to the distance between two measuring points within the geotextile or geotextile-related product

Note 1 to entry: ISO/TR 18228-4¹⁾ provides information on the significance of the hydraulic gradient.

3.5 contact surface

surface contacting the specimen

Note 1 to entry: Contact surfaces may be either closed-cell foam rubber on both sides (F/F), smooth rigid membrane on one side and closed-cell foam rubber on the other side (R/F) or smooth rigid membrane on both sides (R/R).

3.6 in-plane water flow index test

test that yields an indication of the in-plane water flow

3.7 in-plane water flow performance test

test to confirm full compliance of the in-plane water flow with the requirements under specified conditions

4 Principle

The flow of water within the plane of a geotextile or geotextile-related product is measured under varying normal compressive stresses, with typical hydraulic gradients and with defined contact surfaces.

5 Apparatus and materials

5.1 Constant-head in-plane water flow apparatus, as follows:

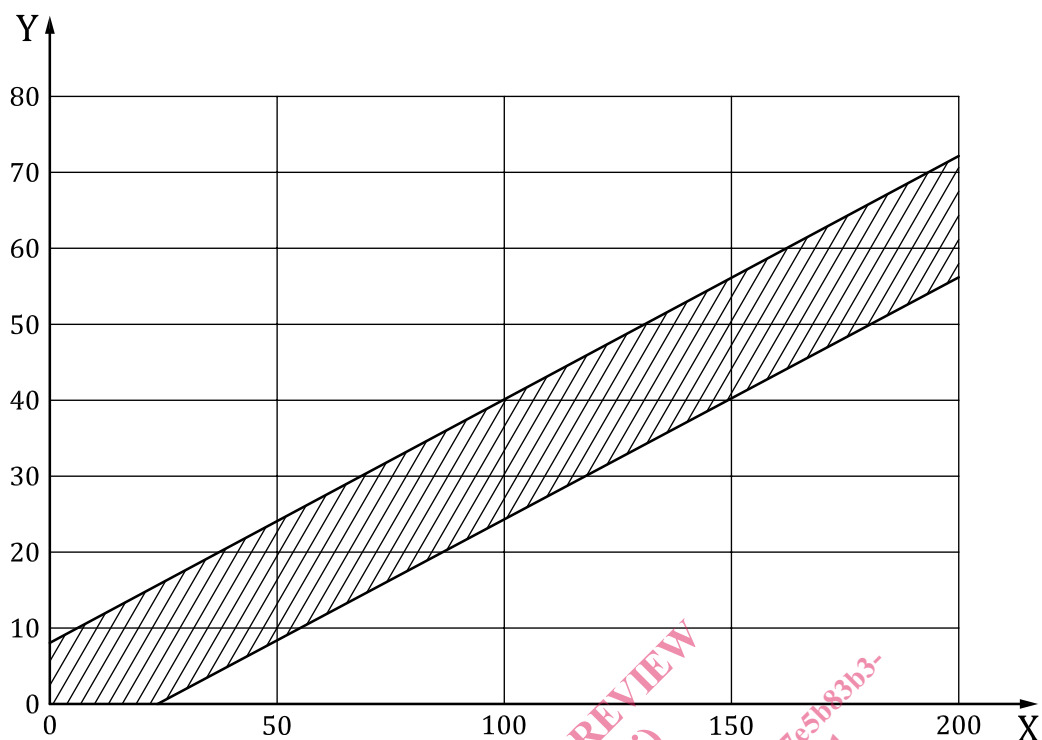
- The apparatus shall be capable of maintaining a constant head loss at different water levels, at least those corresponding to hydraulic gradients of 0,1 and 1,0, while maintaining a water head at the point of discharge not greater than 100 mm.
- If the average water head above the specimen exceeds 100 mm, and the applied normal load is equal to or less than 20 kPa, the normal stress shall be corrected for the excess considering the average water head.
- The apparatus shall be capable of maintaining the proposed normal compressive stress on the specimen without any deformation which would influence the test results.

1) Under preparation. Stage at the time of publication: ISO/CD TR 18228-4:2020.

- d) The apparatus shall include a loading mechanism capable of exerting a constant normal compressive stress on the geotextile or geotextile-related product specimen to a maximum permissible error of $\pm 5\%$ of applied normal compressive stress.
- e) The surfaces contacting the specimen should be either:
- foam rubber (F) whose properties should satisfy the compression deflection envelope, illustrated in [Figure 1](#), when tested in accordance with ISO 9863-1; or
 - smooth rigid (R) high-density polyethylene liner 2 mm thick without any surface damage.

Performances of a geotextile-related product with any other boundary condition can be measured in accordance with the performance test of ISO 12958-2.

- f) For specimens with a thickness up to 10 mm, foam rubber with a nominal thickness of 10 mm shall be used on each face.
- g) For specimens with a thickness between 10 mm and 25 mm, foam rubber with a nominal thickness of 1 to 1,25 times the specimen thickness shall be used on each face.
- h) For specimens with a thickness over 25 mm, the foam rubber on each face shall have a nominal thickness of 25 mm.
- i) Two layers of foam rubber may be combined to achieve the desired thickness only when the foam thickness is greater than 10 mm.
- j) The width of the foam shall be the same as that of the loading platen. The length of the foam should normally be the same as the loading platen. However, to avoid obstruction at both the inlet and outlet due to compression of the foam, it is recommended that its length be reduced, where necessary, by 0,4 times its nominal thickness.
- k) The test report shall include the specific boundary used.
- l) The multiple use of foam rubber should be carefully monitored. The foam rubber shall be discarded if there is more than 10 % deformation in thickness tested in accordance with ISO 9863-1 at 2 kPa.
- m) The apparatus shall have a minimum width of 0,2 m and a minimum net hydraulic length of 0,3 m. It shall be capable of testing specimens up to a thickness of 50 mm. It shall also be capable of accepting foam rubber with a thickness of 25 mm in contact with both faces of the material to be tested.
- n) The apparatus shall be essentially leak tight when the specimen is inside. To measure the leakage in the apparatus, a test can be conducted with a specimen of similar thickness, wrapped in a thin impervious plastic sheet, to avoid any flow into the specimen. The flow measured in this condition is the leakage of the apparatus. This leakage shall not exceed 5 % of the flow values recorded during an actual test, when measured under the same test conditions.



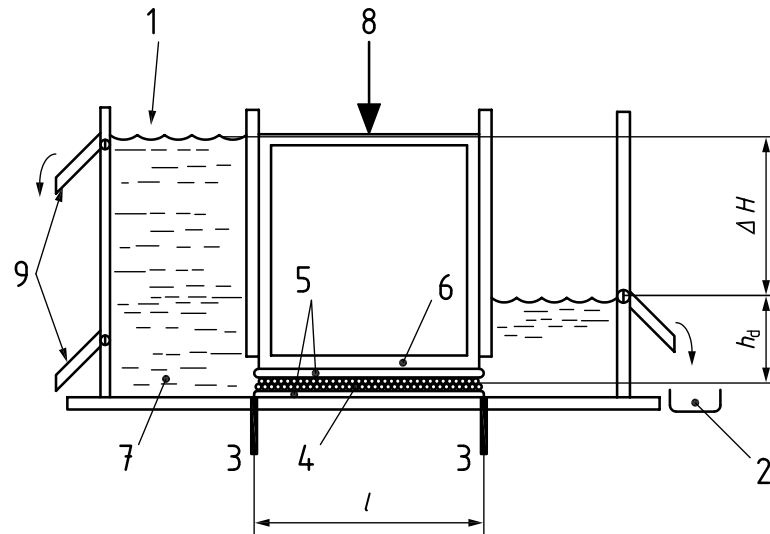
Key

- X normal compressive stress, in kilopascals
- Y thickness reduction, in per cent

Figure 1 — Compression-deflection envelope of an elastomeric closed-cell foam rubber

A typical example of apparatus is shown in [Figure 2](#).

For determination of the hydraulic head loss, it is recommended that the apparatus in [Figure 2](#) be provided with two manometers.



Key

1	water supply	7	water reservoir
2	water collection	8	normal compressive load
3	upstream water head manometers/piezometers	9	overflow weirs at hydraulic gradients 0,1 and 1,0
4	specimen	l	effective flow length (≥ 300 mm)
5	closed-cell foam rubber (F) or smooth rigid membrane (R)	ΔH	head loss
6	loading platen	h_d	downstream water head (≤ 100 mm)

Figure 2 — Typical example of apparatus

5.2 Water

For water flow rates up to 0,3 (l/s)/m, the water used shall be de-aerated or fed from a stilling tank. The water should be at a temperature between 18 °C and 22 °C and the water temperature should preferably be at or above the ambient temperature of the test laboratory. The oxygen content shall not exceed 10 mg/kg when measured in accordance with ISO 5813 at the point where the water enters the apparatus, to avoid air-clogging of the specimen due to the duration of the test.

For water flow rates greater than 0,3 (l/s)/m water may be recirculated but care shall be given to avoid changes of temperature across the duration of the test. Water from the mains supply may be used only if its normal temperature is between 18 °C and 22 °C. Mixing hot and cold water to achieve a temperature between 18 °C and 22 °C is not acceptable as it will release the oxygen dissolved in the colder water because of the change of temperature.

As temperature correction relates only to laminar flow, it is advisable to work at temperatures as close as possible to 20 °C to minimize inaccuracies associated with inappropriate correction factors.

The water shall be filtered to avoid presence of suspended solids.

To avoid biological activity, the water in the stilling tank shall be periodically replaced and shall not be used for a long duration.

5.3 Dissolved-oxygen meter, or apparatus in accordance with ISO 5813.

5.4 Stopwatch, with a maximum permissible measurement error of 0,1 s.

5.5 Thermometer, with a maximum permissible measurement error of 0,5 °C.

5.6 Equipment for determining the water flow rate, with a maximum permissible measurement error of 2 %.

5.7 Measuring device for determining the applied head, with a maximum permissible measurement error of 1 mm.

5.8 Measuring device for determining the applied normal stress, with a maximum permissible measurement error of 5 %.

6 Specimens

6.1 Handling

In order to prevent disturbing its structure, the sample shall be handled as infrequently as possible and shall not be folded. Keep the sample in a flat position without any load.

6.2 Selection

Take specimens from the sample in accordance with ISO 9862.

6.3 Number and dimensions

Cut three test specimens from the sample with the length parallel to the machine direction and three specimens with the length parallel to the cross-machine direction, so that the specimens measure at least 0,3 m in the length, or flow, direction, and at least 0,2 m in the cross-machine direction. When the width of the product is less than 0,2 m, the full width of the product shall be tested by modifying the apparatus.

The specimen shall be cut in a location where the structural integrity of the structure will not be affected. If this leads to the use of a specimen that is less than the width of the apparatus, the edges shall be sealed, for example with a block of closed-cell foam. The calculation of in-plane flow capacity shall be made using the actual width of the specimen. The normal load and hydraulic gradient applied shall be corrected taking into account dimensions of the specimen as well as foam properties. For an apparatus with rigid platen loading (see [Figure 2](#)), the length of the specimen shall be equal to the length of the loading platen, taking into account [5.1 d](#)).

For products without integrated flow to both sides of the core which are to be used for single-sided drainage, six specimens shall be taken to enable testing of each of the two sides after one of them has been sealed.

It is important that the specimen width is not undersized, i.e. that it shows a good push-tight fit.

Where it is necessary to determine the results to within a given confidence interval of the mean, determine the number of test specimens in accordance with ISO 2854.

When the geocomposite includes a central impermeable core (e.g. a double cusped sheet) and the flow to drain penetrates only from one face of the geosynthetic, the flow capacity test should be performed on a specimen purposely prepared in order to prevent the input flow along one of the two faces of the impermeable core (for example by placing a rubber or mastic strip at the inlet of the specimen). If the flow collected by the geosynthetic is transported on both sides of the impermeable core to the outlet, the flow capacity test should be performed on a specimen with soft-soft boundaries. When the geocomposite with an impermeable core is not planarly continuous, but it is used in the form of discrete narrow strips, the input flow in the geocomposite strips can also occur laterally and be transported on both sides of the impermeable core. In this case, the flow capacity test should be performed on a specimen with soft-soft boundaries.