



Designation: E 680 – 79 (Reapproved 1999)

Standard Test Method for Drop Weight Impact Sensitivity Of Solid-Phase Hazardous Materials¹

This standard is issued under the fixed designation E 680; the number immediately following the designation indicates the year of original adoption or, in the case of revision, the year of last revision. A number in parentheses indicates the year of last reapproval. A superscript epsilon (ϵ) indicates an editorial change since the last revision or reapproval.

INTRODUCTION

This method is one of several methods being developed by ASTM Committee E-27 on Hazard Potential of Chemicals. This method is to be used in conjunction with other tests to characterize the hazard potential of chemicals.

1. Scope

1.1 This test method^{2,3} is designed to determine the relative sensitivities of solid-phase hazardous materials to drop weight impact stimulus. For liquid-phase materials refer to Method D 2540.

1.2 *This standard may involve hazardous materials, operations, and equipment. This standard does not purport to address all of the safety problems associated with its use. It is the responsibility of whoever uses this standard to consult and establish appropriate safety and health practices and determine the applicability of regulatory limitations prior to use.*

2. Referenced Documents

2.1 *ASTM Standards:*

D 2540 Test Method for Drop Weight Sensitivity of Liquid Monopropellants⁴

3. Summary of Method

3.1 Restrictions are placed upon the ranges of impact tool masses and striking surface diameters that may be used, and a standard sample thickness is prescribed for all tests.⁵ In addition, procedures for sample preparation and treatment, as

well as procedures for detecting reactions through the use of the human senses, are outlined.

3.2 Drop-weight impact tests are to be performed using the well-known Bruceton up-and-down method.^{6,7}

3.3 Outlined is a method for normalizing data generated on different impact apparatus.

4. Significance and Use

4.1 This method does not require an overall rigid standardization of the apparatus. Samples are tested either unconfined or confined in confinement cups. For confined tests, some of the important cup parameters, such as cup material, cup wall thickness, and fit between the cup and the striking pin, are standardized. Data generated from unconfined and confined tests will not, in general, exhibit the same relative scale of sensitivities, and must be identified as confined or unconfined data and compared separately.

4.2 This method applies to all testing where the intent is to establish a relative sensitivity scale for hazardous materials. It is not intended to prohibit testing process-thickness samples nor prohibit the use of other than standard tool masses and striking diameters to generate data for special purposes or for in-house comparisons. In addition, the method is not intended to restrict the generation of results at other than the H_{50} point as may be desirable for hazard analysis techniques.

4.3 The normalized data will serve as a measure of the relative sensitivities of hazardous materials at the 50 % probability of reaction level. The normalized H_{50} values can also be used in conjunction with additional data relating to other

¹ This method is under the jurisdiction of ASTM Committee E-27 on Hazard Potential of Chemicals and is the direct responsibility of Subcommittee E27.02 on Thermal Stability.

Current edition approved Feb. 23, 1979. Published April 1979.

² This method is a modification of and contains concepts proposed by Hercules, Inc. personnel at Allegheny Ballistics Laboratory. The method was outlined by personnel of Pittsburgh Mining and Safety Research Center, Bureau of Mines, Pittsburgh, Pa. For additional information see footnote 3.

³ Smith, D., and Richardson, R. H., "Interpretation of Impact Sensitivity Test Data," *Pyrodynamics*, PYDYA, Vol 6, 1968, pp. 159–178.

⁴ *Annual Book of ASTM Standards*, Vol 15.03.

⁵ Becker, K. R., and Watson, R. W., "A Critique for Drop Weight Impact Testing," Proceedings of the Conference on the Standardization of Safety and Performance Tests for Energetic Materials, Vol 1, September 1977, pp. 415–430. Publication ARLCD-SP-77004, U. S. Army Armament Research and Development Command, Dover, N.J.

⁶ Dixon, W. J., and Massey, F. J. Jr., *Introduction to Statistical Analysis*, McGraw-Hill Book Co., Inc., 1957, pp. 319–327.

⁷ Statistical Research Group, Princeton University, "Statistical Analysis for a New Procedure in Sensitivity Experiments," AMP Report No. 101.1R, SRG-P, No. 40, Submitted to Applied Mathematics Panel, National Defense Research Committee, July 1944, 58 pp.

probability of reaction levels (not a part of this method) to assess hazards associated with the manufacture, transportation, storage, and use of hazardous materials.

5. Definitions

5.1 *H₅₀ value*—a drop height with a 50 % probability of reaction, as determined experimentally by the Bruceton up-and-down method.

5.2 *impact tools*—the drop weight, intermediate weight, and anvil.

5.3 *drop weight*—that weight which is raised to a selected height and released. This weight does not impact the sample directly; rather it strikes another stationary weight that is in contact with the sample.

5.4 *intermediate weight*—the stationary weight in contact with the sample.

5.5 *anvil*—the smooth, hardened surface upon which the test sample or cup containing the sample rests.

5.6 *unconfined test*—a test in which the test sample is placed directly upon the anvil with no lateral confinement.

5.7 *confined test*—a test in which the test sample is contained within a confinement cup (sample container), and the confinement cup is then placed upon the anvil.

5.8 *confinement cup*—the metal sample container used in confined tests.

5.9 *guide bushing*—the steel bushing that surrounds, aligns, and holds the stationary intermediate weight in place.

5.10 *guide system*—the rails, wires, and shaft that guide the drop weight during its fall.

5.11 *striking surface*—the hardened, smooth, circular bottom surface of the intermediate tool that is in contact with the test sample.

5.12 *impact apparatus or machine*—the total apparatus including the foundation parts, guide rails, electromagnet lift, winch, and tools.

6. Apparatus

6.1 A complete impact apparatus is the specialized apparatus necessary for this method.

6.2 The masses of the drop weight (m_1) and intermediate weight (m_2) should, preferably, be equal. However, the intermediate weight mass may be less than that of the drop weight mass so long as the mass ratio m_2/m_1 is 0.6 or greater. This ensures that the force-time stimulus a test sample is subjected to will be nonoscillatory in nature, and ensures that the transfer of energy from the drop weight to the intermediate weight does not vary significantly.

6.3 The mass of the drop weight should be between 1.0 to 3.5 kg.

6.4 The hardness of all tooling surfaces involved in the impact (drop weight, intermediate weight, and anvil) should have a Rockwell C Hardness of 55 to 59 HRC.

6.5 The diameter of the striking surface of the intermediate weight shall be 9.52 to 19.05 mm ($\frac{3}{8}$ to $\frac{3}{4}$ in.). These limits were determined simply on the basis that data have been successfully normalized for tool diameters in this range.

6.6 The finish on the striking surface of the intermediate weight and of the anvil, though not highly critical in tests with solid explosives, should be a No. 8 grind (8 μ m.) or finer. If

substantially different surface finishes are used, the data obtained should be accompanied by a footnote specifying the finish used.

6.7 In confined tests, the confinement cup shall be fabricated from Type 302 stainless steel. The cup base thickness shall range from 0.13 to 0.15 mm (0.005 to 0.006 in.). The outer periphery of the striking pin shall be in contact with a small portion of the arc joining the side and bottom of the cup. Although this permits greater energy losses in working the metal inside the cup than if the whole striking surface engaged only the flat portion of the metal in the base of the cup, it does ensure better confinement with less flow of test material up the sides of the striking pin and cup. A typical confinement cup is shown in Fig. 1. This, together with the striking pin dimensions shown in Fig. 2, provide some insight on a suitable mating between the striking pin and cup.

6.8 Experience has shown that an appreciable difference in the behavior of the apparatus can result from the manner in which it is mounted. Thus, the machine should be mounted on, and firmly attached to, a solid concrete foundation, preferably anchored to the foundation of a building (see Method D 2540).

6.9 Fig. 3 illustrates a typical impact apparatus, and Figs. 4 and 1 are detailed drawings of a drop weight, an intermediate weight, and a confinement cup. Helpful notes on construction of the tools are found in the Appendix. These tools and apparatus are in use at the U. S. Bureau of Mines, Bruceton, Pa., but are not necessarily the only acceptable designs. All designs, however, should incorporate a device that captures the drop weight after it rebounds to prevent further interactions with the intermediate weight.

7. Test Sample

7.1 Sample thickness must be the same for all tests. This is achieved by using a constant volume per unit area sample spread uniformly over that area. The standard is 31.5 mm³/cm². This provides a distributed thickness of 0.315 mm (12.4 mils) and ensures the same energy input per unit mass of a given test material no matter what the diameter of the striking surface area is. Thus, for a sample diameter of 12.7 mm (0.50 in.), 40

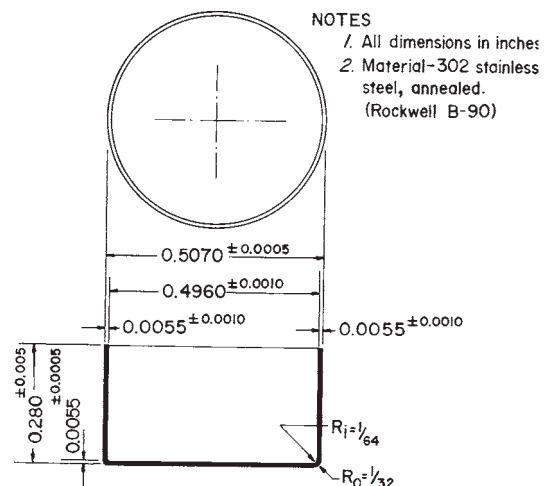


FIG. 1 Confinement Cup Used as a Sample Container in Confined Tests

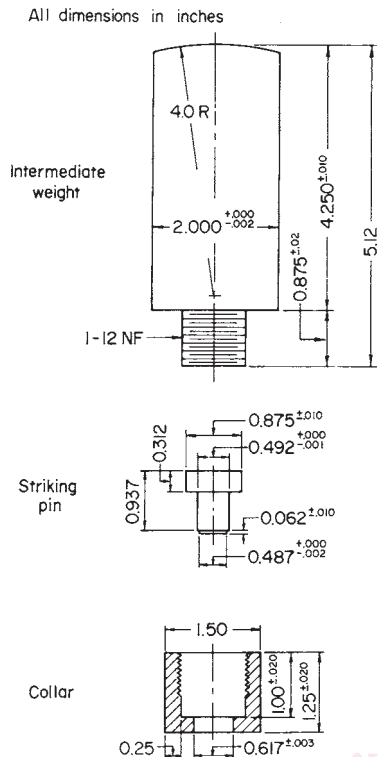


FIG. 2 Intermediate Weight Assembly

mm³ of sample volume would be used. Proportionately larger or smaller sample volumes, varying in direct proportion to the sample, may be used so long as the sample volume per unit area is 31.5 mm³/cm². Errors in sample volume may be ±10 %, and sample measuring spoons having the appropriate volume can be machined or drilled for this purpose. In cases where it is desirable to test process thickness samples that differ from the standard, simply indicate the thickness used, especially if the H_{50} values appear in the same tables together with H_{50} values obtained using standard thickness samples.

7.1.1 In some cases, the sample consistency may prohibit the sample from being measured in a measuring spoon. In these instances, the proper sample size can be determined by its mass; $M = \rho V$, where V is the proper volume for a given sample area, and ρ is the loose-packing density of the sample. The density may have to be determined if it has not been specified.

7.2 Specifications of sample diameters to be used in conjunction with different diameter tools are as follows: (a) in confined tests, specifically, a test where the sample is confined in a cylindrical cup, the sample diameter will be the same as the inside diameter of the cup. Hence, calculate a sample volume or mass based upon the inside diameter of the confinement cup, and (b) for unconfined tests, specifically, a test where the sample is spread directly upon the anvil, use about a 0.33-mm (13-mil) thick template made from plastic, metal, or tape having a circular hole cut in it. Place the template on the anvil, pile the sample in the hole, and scrape level with a spatula or straight edge. The hole diameter should, in all cases, be somewhat larger than the tool contact surface

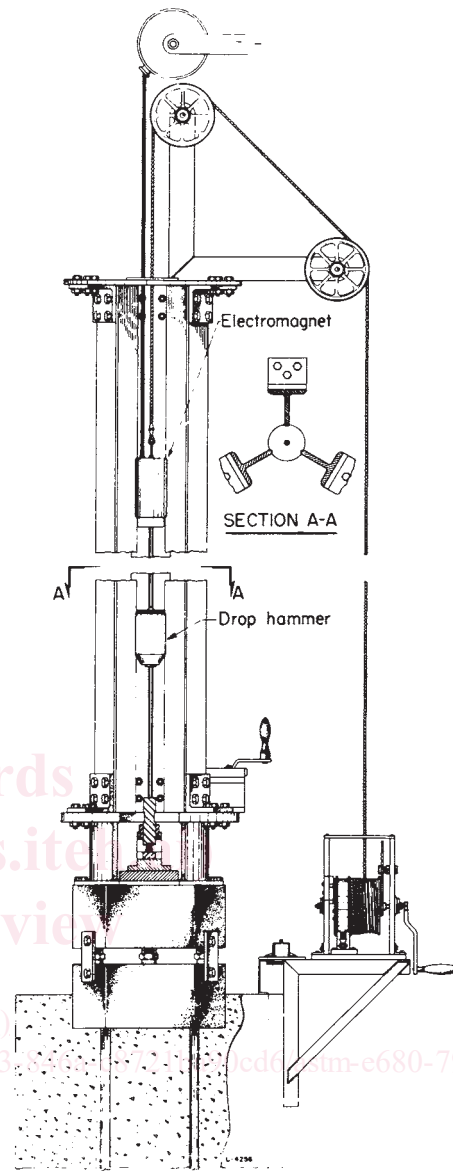


FIG. 3 Bureau of Mines Impact Apparatus

diameter. Leave the template in place during the impact trial. The larger size will make it easy to miss striking the periphery of the template hole during impact. The template also serves as an excellent means for keeping the sample inbounds. The recommended template hole for a 12.7-mm (1/2-in.) diameter tool is 15.9 mm (5/8 in.), but it may be 19.1 mm (3/4 in.) or larger, as long as a proportionally larger sample is used. Here, it is important to remember that the sample volume or mass used to obtain constant-thickness samples is based upon the template diameter, not the tool diameter.

7.2.1 In no case should the sample diameter be less than that of the tool. The normalization method cannot be applied if this is the case. Furthermore, the normalization method cannot be applied to mixed data from confined and unconfined tests. It is generally applicable in the unconfined case. Information is limited on applicability to the confined case. However, it is