



SLOVENSKI STANDARD
SIST EN 892:2012+A2:2022

01-januar-2022

Nadomešča:

SIST EN 892:2012+A1:2016

Gorniška oprema - Dinamično obremenjene gorniške vrvi - Varnostne zahteve in preskusne metode

Mountaineering equipment - Dynamic mountaineering ropes - Safety requirements and test methods

Bergsteigerausrüstung - Dynamische Bergseile - Sicherheitstechnische Anforderungen und Prüfverfahren

Équipement d'alpinisme et d'escalade - Cordes dynamiques - Exigences de sécurité et méthodes d'essai

<https://standards.iteh.ai/catalog/standards/sist/46ab05fd-63b0-4eab-b29c-f0da5d3b18ea/sist-en-892-2012a2-2022>

Ta slovenski standard je istoveten z: EN 892:2012+A2:2021

ICS:

97.220.40	Oprema za športe na prostem in vodne športe	Outdoor and water sports equipment
-----------	---	------------------------------------

SIST EN 892:2012+A2:2022

en,fr,de

iTeh STANDARD PREVIEW
(standards.iteh.ai)

[SIST EN 892:2012+A2:2022](https://standards.iteh.ai/catalog/standards/sist/46ab05fd-63b0-4eab-b29c-f0da5d3b18ea/sist-en-892-2012a2-2022)
<https://standards.iteh.ai/catalog/standards/sist/46ab05fd-63b0-4eab-b29c-f0da5d3b18ea/sist-en-892-2012a2-2022>

EUROPEAN STANDARD

EN 892:2012+A2

NORME EUROPÉENNE

EUROPÄISCHE NORM

November 2021

ICS 97.220.40

Supersedes EN 892:2012+A1:2016

English Version

Mountaineering equipment - Dynamic mountaineering ropes - Safety requirements and test methods

Équipement d'alpinisme et d'escalade - Cordes dynamiques - Exigences de sécurité et méthodes d'essai

Bergsteigerausrüstung - Dynamische Bergseile - Sicherheitstechnische Anforderungen und Prüfverfahren

This European Standard was approved by CEN on 9 June 2016 and includes Amendment 2 approved by CEN on 3 October 2021.

CEN members are bound to comply with the CEN/CENELEC Internal Regulations which stipulate the conditions for giving this European Standard the status of a national standard without any alteration. Up-to-date lists and bibliographical references concerning such national standards may be obtained on application to the CEN-CENELEC Management Centre or to any CEN member.

This European Standard exists in three official versions (English, French, German). A version in any other language made by translation under the responsibility of a CEN member into its own language and notified to the CEN-CENELEC Management Centre has the same status as the official versions.

CEN members are the national standards bodies of Austria, Belgium, Bulgaria, Croatia, Cyprus, Czech Republic, Denmark, Estonia, Finland, France, Germany, Greece, Hungary, Iceland, Ireland, Italy, Latvia, Lithuania, Luxembourg, Malta, Netherlands, Norway, Poland, Portugal, Republic of North Macedonia, Romania, Serbia, Slovakia, Slovenia, Spain, Sweden, Switzerland, Turkey and United Kingdom.



EUROPEAN COMMITTEE FOR STANDARDIZATION
COMITÉ EUROPÉEN DE NORMALISATION
EUROPÄISCHES KOMITEE FÜR NORMUNG

CEN-CENELEC Management Centre: Rue de la Science 23, B-1040 Brussels

Contents		Page
European foreword		3
Introduction		4
1	Scope	5
2	Normative references	5
3	Terms and definitions	5
4	Safety requirements	7
5	Test methods	9
6	Marking	24
7	Information to be supplied by the manufacturer	25
Annex A (informative) Standards on mountaineering equipment		26
Annex ZA (informative) Relationship between this European Standard and the essential requirements of Regulation (EU) 2016/425 aimed to be covered		27

(standards.iteh.ai)

[SIST EN 892:2012+A2:2022](https://standards.iteh.ai/catalog/standards/sist/46ab05fd-63b0-4eab-b29c-f0da5d3b18ea/sist-en-892-2012a2-2022)

<https://standards.iteh.ai/catalog/standards/sist/46ab05fd-63b0-4eab-b29c-f0da5d3b18ea/sist-en-892-2012a2-2022>

European foreword

This document (EN 892:2012+A2:2021) has been prepared by Technical Committee CEN/TC 136 “Sports, playground and other recreational facilities and equipment”, the secretariat of which is held by DIN.

This European Standard shall be given the status of a national standard, either by publication of an identical text or by endorsement, at the latest by May 2022, and conflicting national standards shall be withdrawn at the latest by May 2022.

Attention is drawn to the possibility that some of the elements of this document may be the subject of patent rights. CEN shall not be held responsible for identifying any or all such patent rights.

This document includes Amendment 1 approved by CEN on 9 June 2016 and Amendment 2 approved by CEN on 3 October 2021.

This document supersedes A1 EN 892:2012+A1:2016 A1.

The start and finish of text introduced or altered by amendment is indicated in the text by tags A1 A1 and A2 A2.

This document has been prepared under a Standardization Request given to CEN by the European Commission and the European Free Trade Association, and supports essential requirements of EU Directive(s) / Regulation(s). **(standards.iteh.ai)**

For relationship with EU Directive(s) / Regulation(s), see informative Annex ZA, which is an integral part of this document.

The main changes compared to EN 892:2004 are:

- a) editorial changes;
- b) conditioning climate in 5.2 was changed;
- c) dimension of the remaining tape for preparation of the sheath slippage test in 5.4.2 was changed;
- d) allowed slippage of the rope in the drop test in 5.6.3.

Any feedback and questions on this document should be directed to the users' national standards body. A complete listing of these bodies can be found on the CEN website.

According to the CEN-CENELEC Internal Regulations, the national standards organisations of the following countries are bound to implement this European Standard: Austria, Belgium, Bulgaria, Croatia, Cyprus, Czech Republic, Denmark, Estonia, Finland, France, Germany, Greece, Hungary, Iceland, Ireland, Italy, Latvia, Lithuania, Luxembourg, Malta, Netherlands, Norway, Poland, Portugal, Republic of North Macedonia, Romania, Serbia, Slovakia, Slovenia, Spain, Sweden, Switzerland, Turkey and the United Kingdom.

EN 892:2012+A2:2021 (E)

Introduction

The text is based on UIAA-Standard B (International Mountaineering and Climbing federation), which has been prepared with international participation.

This standard is one of a package of standards for mountaineering equipment, see Annex A.

iTeh STANDARD PREVIEW (standards.iteh.ai)

[SIST EN 892:2012+A2:2022](https://standards.iteh.ai/catalog/standards/sist/46ab05fd-63b0-4eab-b29c-f0da5d3b18ea/sist-en-892-2012a2-2022)
<https://standards.iteh.ai/catalog/standards/sist/46ab05fd-63b0-4eab-b29c-f0da5d3b18ea/sist-en-892-2012a2-2022>

1 Scope

This European Standard specifies safety requirements and test methods for dynamic ropes (single, half and twin ropes) in kernmantel construction for use in mountaineering including climbing.

2 Normative references

The following documents are referred to in the text in such a way that some or all of their content constitutes requirements of this document. For dated references, only the edition cited applies. For undated references, the latest edition of the referenced document (including any amendments) applies.

EN ISO 6508-1, *Metallic materials — Rockwell hardness test — Part 1: Test method (scales A, B, C, D, E, F, G, H, K, N, T) (ISO 6508-1)*

ISO 6487, *Road vehicles — Measurement techniques in impact tests — Instrumentation*

3 Terms and definitions

For the purposes of this document, the following terms and definitions apply.

ISO and IEC maintain terminological databases for use in standardization at the following addresses:

- ISO Online browsing platform: available at <https://www.iso.org/obp>
- IEC Electropedia: available at <https://www.electropedia.org/>

3.1

dynamic mountaineering rope

rope, which is capable, when used as a component in the safety chain, of arresting the free fall of a person engaged in mountaineering or climbing with a limited peak force

3.2

single rope

dynamic mountaineering rope, capable of being used singly, as a link in the safety chain, to arrest a leader's fall

3.3

half rope

dynamic mountaineering rope, which is capable, when used in pairs, as a link in the safety chain to arrest the leader's fall

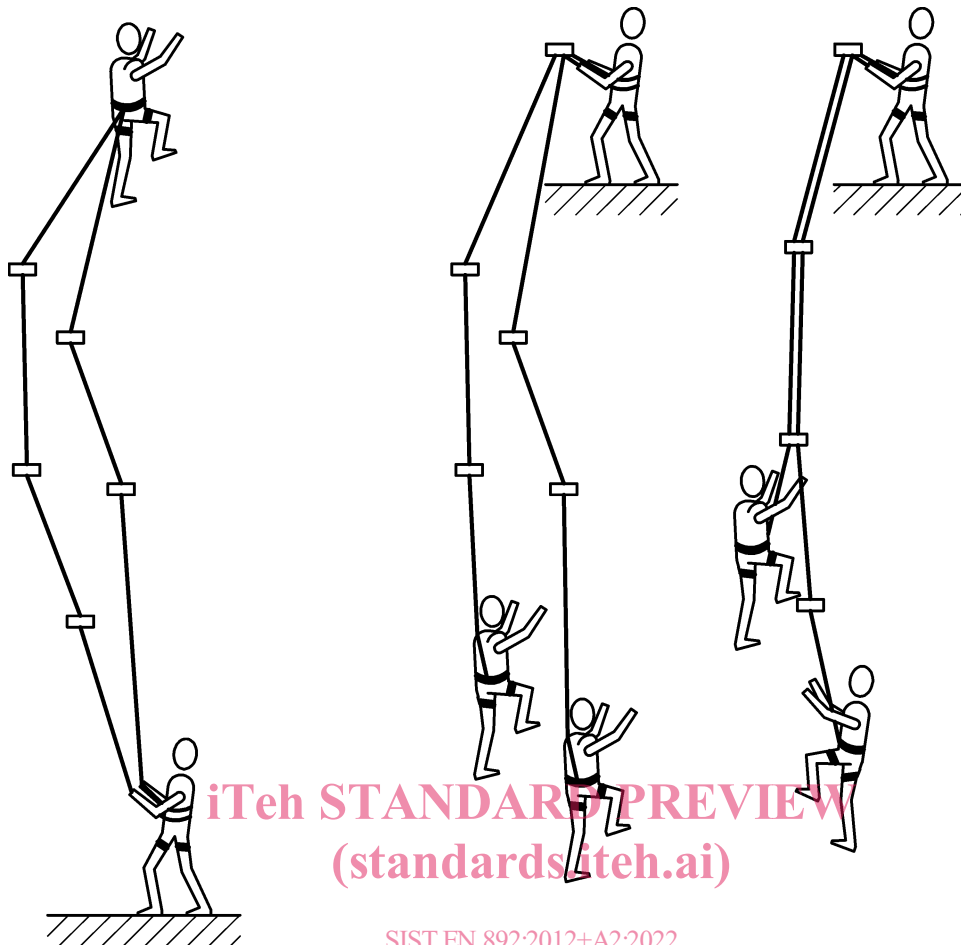
Note 1 to entry: See Figure 1.

3.4

twin rope

dynamic mountaineering rope, which is capable, when used in pairs and parallel, as a link in the safety chain to arrest a leader's fall

Note 1 to entry: See Figure 2.



iTeh STANDARDS PREVIEW
(standards.iteh.ai)

SIST EN 892:2012+A2:2022
<https://standards.iteh.ai/catalog/standards/sist/46ab05fd-63b0-4eab-b29c-f0d5d3b18a/sist-en-892-2012-a2-2022>
Figure 1 — Examples of use on half ropes

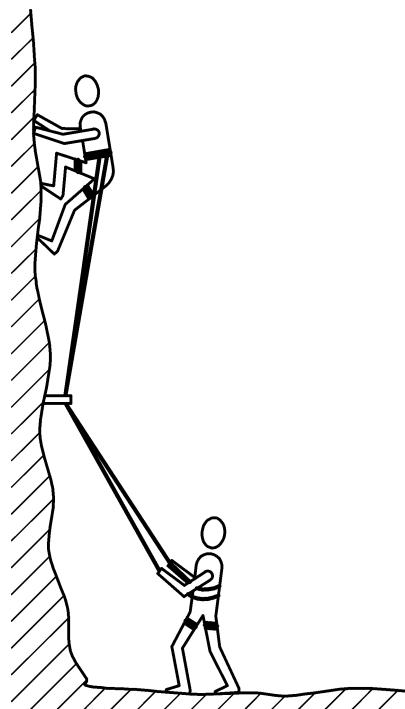


Figure 2 — Use of twin ropes

iTeh STANDARD PREVIEW
(standards.iteh.ai)

3.5

kernmantel rope

rope composed of a core and a sheath

[SIST EN 892:2012+A2:2022](https://standards.iteh.ai/catalog/standards/sist/46ab05fd-63b0-4eab-b29c-f0da5d3b18ea/sist-en-892-2012a2-2022)

3.6

safety chain

connection of linked elements which protects the climber or mountaineer against falls from a height

<https://standards.iteh.ai/catalog/standards/sist/46ab05fd-63b0-4eab-b29c-f0da5d3b18ea/sist-en-892-2012a2-2022>

Note 1 to entry: The safety chain includes ropes connected to the anchors by connectors and to the climbers by harnesses.

4 Safety requirements

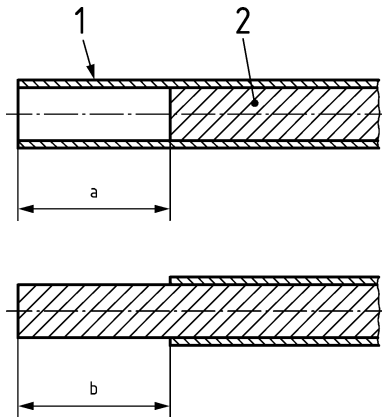
4.1 Construction

Dynamic ropes in accordance with this European Standard shall be made in a kernmantel construction. Diameter and mass per unit length are relevant characteristics. See test method in 5.3.

If the properties of the rope change along its length, for example: diameter, strength, markings, samples from each section shall be submitted for testing. The information to be supplied shall all correspond to the lowest performance section of the rope.

4.2 Sheath slippage

When tested in accordance with 5.4, the sheath slippage in a longitudinal direction relative to the core (in positive or negative direction) shall not exceed 1 % (20 mm) (see Figure 3).

**Key**

- 1 sheath
- 2 core
- a positive sheath slippage ≤ 20 mm
- b negative sheath slippage ≤ 20 mm

Figure 3 — Sheath slippage**4.3 Static elongation**

When tested in accordance with 5.5, the static elongation shall not exceed:

- 10 % in single ropes (single strand of rope);
- 12 % in half ropes (single strand of rope);
- 10 % in twin ropes (double strand of rope).

4.4 Dynamic Elongation

When tested in accordance with 5.6, the dynamic elongation shall not exceed 40 % during the first drop for each test sample.

4.5 Peak force during fall arrest, number of drops**4.5.1 Peak force in the rope**

When tested in accordance with 5.6, the peak force in the rope, during the first drop, for each test sample, shall not exceed:

- 12 kN in single ropes (single strand of rope);
- 8 kN in half ropes (single strand of rope);
- 12 kN in twin ropes (double strand of rope).

4.5.2 Number of drops

When tested in accordance with 5.6, each rope sample shall withstand at least 5, for twin ropes at least 12, consecutive drop tests without breaking.

5 Test methods

5.1 Test samples

A test sample with a length of:

- 40 m for single and half ropes,
- 80 m or 2×40 m for twin rope;

shall be available for the tests.

Carry out the tests in accordance with 5.3 on an unused test sample.

Carry out the tests in accordance with 5.4 on two unused test samples with a length of $(2\,250 \pm 10)$ mm.

Carry out the test in accordance with 5.5 on two unused test samples with a length of at least 1 500 mm.

Carry out the tests in accordance with 5.6 on three unused test samples with a minimum length of 5 m for single and half ropes, and 10 m for twin ropes, cut out of the available test sample.

5.2 Conditioning and test conditions

Dry the test samples for at least 24 h in an atmosphere of (50 ± 5) °C and less than 20 % relative humidity. Then condition these test samples in an atmosphere of (23 ± 2) °C and (50 ± 2) % relative humidity for at least 72 h. Then start testing these samples at a temperature of (23 ± 5) °C within 10 min.

5.3 Construction, diameter, and mass per unit length

5.3.1 Procedure

Clamp the test sample at one end.

Load the test sample without shock with a mass¹⁾ of:

- $(10 \pm 0,1)$ kg for single ropes,
- $(6 \pm 0,1)$ kg for half ropes,
- $(5 \pm 0,1)$ kg for twin ropes

at a distance of at least 1 200 mm from the clamp.

After applying the load for 60 s mark within the next 10 s a reference length of $(1\,000 \pm 1)$ mm on the test sample. The distance of the marking from the clamp or attachment for the test sample shall be at least 50 mm.

Within a further 3 min measure the diameter in two directions around the diameter starting at points 90° apart at each of three levels approximately 100 mm apart. If the rope cross section is not circular, the maximum and minimum diameter are to be determined in each section. The length of the contact areas of the measuring instrument shall be (50 ± 1) mm. The rope cross-sectional area shall not be subject to any compression during the measurement.

Then cut out the marked portion of the test sample and determine the mass to the nearest 0,1 g.

1) The mass can be introduced by a corresponding force.