



SLOVENSKI STANDARD
oSIST prEN ISO 5167-6:2022

01-februar-2022

Merjenje pretoka fluida na osnovi tlačne razlike, povzročene z napravo, vstavljeno v polno zapolnjen vod s krožnim prerezom - 6. del: Merilniki klinov (ISO/DIS 5167-6:2021)

Measurement of fluid flow by means of pressure differential devices inserted in circular cross-section conduits running full - Part 6: Wedge meters (ISO/DIS 5167-6:2021)

Durchflussmessung von Fluiden mit Drosselgeräten in voll durchströmten Leitungen mit Kreisquerschnitt - Teil 6: Keil-Durchflussmesser (ISO/DIS 5167-6:2021)

Mesure de débit des fluides au moyen d'appareils déprimogènes insérés dans des conduites en charge de section circulaire - Partie 6: Débitmètres à coin (ISO/DIS 5167-6:2021)

<https://standards.iteh.ai/catalog/standards/sist/a674babd-d722-48ad-8bd5-60b64ce8442e/osist-pr-en-iso-5167-6-2022>

Ta slovenski standard je istoveten z: prEN ISO 5167-6

ICS:

17.120.10 Pretok v zaprtih vodih Flow in closed conduits

oSIST prEN ISO 5167-6:2022

en,fr,de

**iTeh STANDARD
PREVIEW
(standards.iteh.ai)**

[oSIST prEN ISO 5167-6:2022](https://standards.iteh.ai/catalog/standards/sist/a674babd-d722-48ad-8bd5-60b64ce8442e/osist-pren-iso-5167-6-2022)

<https://standards.iteh.ai/catalog/standards/sist/a674babd-d722-48ad-8bd5-60b64ce8442e/osist-pren-iso-5167-6-2022>

DRAFT INTERNATIONAL STANDARD

ISO/DIS 5167-6

ISO/TC 30/SC 2

Secretariat: BSI

Voting begins on:
2021-12-13Voting terminates on:
2022-03-07

Measurement of fluid flow by means of pressure differential devices inserted in circular cross-section conduits running full —

Part 6: Wedge meters

Mesure de débit des fluides au moyen d'appareils déprimogènes insérés dans des conduites en charge de section circulaire —

Partie 6: Débitmètres à coin

**iTeh STANDARD
PREVIEW
(standards.iteh.ai)**

ICS: 17.120.10

[oSIST prEN ISO 5167-6:2022](https://standards.iteh.ai/catalog/standards/sist/a674babd-d722-48ad-8bd5-60b64ce8442e/osist-pren-iso-5167-6-2022)

<https://standards.iteh.ai/catalog/standards/sist/a674babd-d722-48ad-8bd5-60b64ce8442e/osist-pren-iso-5167-6-2022>

This document is circulated as received from the committee secretariat.

THIS DOCUMENT IS A DRAFT CIRCULATED FOR COMMENT AND APPROVAL. IT IS THEREFORE SUBJECT TO CHANGE AND MAY NOT BE REFERRED TO AS AN INTERNATIONAL STANDARD UNTIL PUBLISHED AS SUCH.

IN ADDITION TO THEIR EVALUATION AS BEING ACCEPTABLE FOR INDUSTRIAL, TECHNOLOGICAL, COMMERCIAL AND USER PURPOSES, DRAFT INTERNATIONAL STANDARDS MAY ON OCCASION HAVE TO BE CONSIDERED IN THE LIGHT OF THEIR POTENTIAL TO BECOME STANDARDS TO WHICH REFERENCE MAY BE MADE IN NATIONAL REGULATIONS.

RECIPIENTS OF THIS DRAFT ARE INVITED TO SUBMIT, WITH THEIR COMMENTS, NOTIFICATION OF ANY RELEVANT PATENT RIGHTS OF WHICH THEY ARE AWARE AND TO PROVIDE SUPPORTING DOCUMENTATION.

ISO/CEN PARALLEL PROCESSING



Reference number
ISO/DIS 5167-6:2021(E)

© ISO 2021

iTeh STANDARD PREVIEW (standards.iteh.ai)

[oSIST prEN ISO 5167-6:2022](https://standards.iteh.ai/catalog/standards/sist/a674babd-d722-48ad-8bd5-60b64ce8442e/osist-pren-iso-5167-6-2022)

<https://standards.iteh.ai/catalog/standards/sist/a674babd-d722-48ad-8bd5-60b64ce8442e/osist-pren-iso-5167-6-2022>



COPYRIGHT PROTECTED DOCUMENT

© ISO 2021

All rights reserved. Unless otherwise specified, or required in the context of its implementation, no part of this publication may be reproduced or utilized otherwise in any form or by any means, electronic or mechanical, including photocopying, or posting on the internet or an intranet, without prior written permission. Permission can be requested from either ISO at the address below or ISO's member body in the country of the requester.

ISO copyright office
CP 401 • Ch. de Blandonnet 8
CH-1214 Vernier, Geneva
Phone: +41 22 749 01 11
Email: copyright@iso.org
Website: www.iso.org

Published in Switzerland

Contents

	Page
Foreword	iv
Introduction	v
1 Scope	1
2 Normative references	1
3 Terms and definitions	2
4 Principles of the method of measurement and computation	2
5 Wedge meters	3
5.1 Field of application.....	3
5.2 General shape.....	4
5.3 Material and manufacture.....	5
5.4 Pressure tappings.....	5
5.5 Discharge coefficient, C	6
5.5.1 Limits of use.....	6
5.5.2 Discharge coefficient of the wedge meter.....	6
5.6 Expansibility [expansion] factor, ε	7
5.7 Uncertainty of the discharge coefficient, C	7
5.8 Uncertainty of the expansibility [expansion] factor, ε	7
5.9 Pressure loss.....	7
6 Installation requirements	7
6.1 General.....	7
6.2 Minimum upstream and downstream straight lengths for installations between various fittings and the wedge meter.....	8
6.3 Additional specific installation requirements for wedge meters.....	8
6.3.1 Circularity and cylindricity of pipes upstream and downstream of the wedge meter.....	8
6.3.2 Roughness of the upstream and downstream pipe.....	9
6.3.3 Positioning of a thermowell.....	9
6.3.4 Bidirectional wedge meters.....	9
7 Flow calibration of wedge meters	9
7.1 General.....	9
7.2 Test facility.....	9
7.3 Meter installation.....	9
7.4 Design of the test programme.....	10
7.5 Reporting the calibration results.....	10
7.6 Uncertainty analysis of the calibration.....	10
7.6.1 General.....	10
7.6.2 Uncertainty of the test facility.....	10
7.6.3 Uncertainty of the discharge coefficient of the wedge meter.....	10
Annex A (informative) Table of expansibility [expansion] factor	11
Annex B (informative) Use of Kd^2 parameter	12
Bibliography	13

ISO/DIS 5167-6:2021(E)

Foreword

ISO (the International Organization for Standardization) is a worldwide federation of national standards bodies (ISO member bodies). The work of preparing International Standards is normally carried out through ISO technical committees. Each member body interested in a subject for which a technical committee has been established has the right to be represented on that committee. International organizations, governmental and non-governmental, in liaison with ISO, also take part in the work. ISO collaborates closely with the International Electrotechnical Commission (IEC) on all matters of electrotechnical standardization.

The procedures used to develop this document and those intended for its further maintenance are described in the ISO/IEC Directives, Part 1. In particular the different approval criteria needed for the different types of ISO documents should be noted. This document was drafted in accordance with the editorial rules of the ISO/IEC Directives, Part 2 (see www.iso.org/directives).

Attention is drawn to the possibility that some of the elements of this document may be the subject of patent rights. ISO shall not be held responsible for identifying any or all such patent rights. Details of any patent rights identified during the development of the document will be in the Introduction and/or on the ISO list of patent declarations received (see www.iso.org/patents).

Any trade name used in this document is information given for the convenience of users and does not constitute an endorsement.

For an explanation on the voluntary nature of standards, the meaning of ISO specific terms and expressions related to conformity assessment, as well as information about ISO's adherence to the World Trade Organization (WTO) principles in the Technical Barriers to Trade (TBT) see the following URL: www.iso.org/iso/foreword.html.

This document was prepared by Technical Committee ISO/TC 30, *Measurement of fluid flow in closed conduits*, Subcommittee SC 2, *Pressure differential devices*. This second edition cancels and replaces the first edition (ISO 5167-6:2019), which has been technically revised.

A list of all the parts in the ISO 5167 series can be found on the ISO website.

2022

Introduction

ISO 5167, divided into six parts, covers the geometry and method of use (installation and operating conditions) of orifice plates, nozzles, Venturi tubes, cone and wedge meters when they are inserted in a conduit running full to determine the flow rate of the fluid flow in the conduit. It also gives necessary information for calculating the flow rate and its associated uncertainty.

ISO 5167 is applicable only to pressure differential devices in which the flow remains subsonic throughout the measuring section and where the fluid can be considered as single-phase, but it is not applicable to the measurement of pulsating flow. Furthermore, each of these devices can only be used within specified limits of pipe size and Reynolds number.

ISO 5167 deals with devices for which direct calibration experiments have been made, sufficient in number, spread and quality to enable coherent systems of application to be based on their results and coefficients to be given with certain predictable limits of uncertainty. However, for wedge meters calibrated in accordance with [Clause 7](#), a wider range of pipe size, β and Reynolds number can be considered.

The devices introduced into the pipe are called 'primary devices'. The term primary device also includes the pressure tapplings. All other instruments or devices required for the measurement are known as 'secondary devices'. ISO 5167 covers primary devices; secondary devices¹⁾ are mentioned only occasionally.

ISO 5167 is divided into the following six parts.

- a) ISO 5167-1 gives general terms and definitions, symbols, principles and requirements as well as methods of measurement and uncertainty that are to be used in conjunction with Part 2 to Part 6 of ISO 5167.
- b) ISO 5167-2 specifies orifice plates, which can be used with corner pressure tapplings, D and $D/2$ pressure tapplings²⁾, and flange pressure tapplings.
- c) ISO 5167-3 specifies ISA 1932 nozzles³⁾, long radius nozzles and Venturi nozzles, which differ in shape and in the position of the pressure tapplings. Throat-tapped long-radius nozzles are included.
- d) ISO 5167-4 specifies classical Venturi tubes⁴⁾.
- e) ISO 5167-5 specifies cone meters.
- f) ISO 5167-6 specifies wedge meters.

1) See ISO 2186^[1] and also ISO/TR 9464^[4].

2) Orifice plates with 'vena contracta' pressure tapplings are not considered in ISO 5167.

3) ISA is the abbreviation for the International Federation of the National Standardizing Associations, which was succeeded by ISO in 1946.

4) In the USA the classical Venturi tube is sometimes called the Herschel Venturi tube.

**iTeh STANDARD
PREVIEW
(standards.iteh.ai)**

[oSIST prEN ISO 5167-6:2022](https://standards.iteh.ai/catalog/standards/sist/a674babd-d722-48ad-8bd5-60b64ce8442e/osist-pren-iso-5167-6-2022)

<https://standards.iteh.ai/catalog/standards/sist/a674babd-d722-48ad-8bd5-60b64ce8442e/osist-pren-iso-5167-6-2022>

Measurement of fluid flow by means of pressure differential devices inserted in circular cross-section conduits running full —

Part 6: Wedge meters

1 Scope

This document specifies the geometry and method of use (installation and operating conditions) of wedge meters when they are inserted in a conduit running full to determine the flow rate of the fluid flowing in the conduit.

NOTE 1 As the uncertainty of an uncalibrated wedge meter can be too large for a particular application, it could be deemed essential to calibrate the flow meter according to [Clause 7](#).

This document gives requirements for calibration which, if applied, are for use over the calibrated Reynolds number range. [Clause 7](#) could also be useful guidance for calibration of meters of similar design but which fall outside the scope of this document.

It also provides background information for calculating the flow rate and is applicable in conjunction with the requirements given in ISO 5167-1.

This document is applicable only to wedge meters in which the flow remains subsonic throughout the measuring section and where the fluid can be considered as single-phase. Uncalibrated wedge meters can only be used within specified limits of pipe size, roughness, beta (or wedge ratio) and Reynolds number. It is not applicable to the measurement of pulsating flow. It does not cover the use of uncalibrated wedge meters in pipes whose internal diameter is less than 50 mm or more than 600 mm, or where the pipe Reynolds numbers are below 1×10^4 .

NOTE 2 A wedge meter has a primary element which consists of a wedge-shaped restriction of a specific geometry. Alternative designs of wedge meters are available; however, at the time of writing there is insufficient data to fully characterize these devices, and therefore these meters are calibrated in accordance with [Clause 7](#).

2 Normative references

The following documents are referred to in the text in such a way that some or all of their content constitutes requirements of this document. For dated references, only the edition cited applies. For undated references, the latest edition of the referenced document (including any amendments) applies.

ISO 4006, *Measurement of fluid flow in closed conduits — Vocabulary and symbols*

ISO 5167-1, *Measurement of fluid flow by means of pressure differential devices inserted in circular cross-section conduits running full — Part 1: General principles and requirements*

ISO 5168, *Measurement of fluid flow — Procedures for the evaluation of uncertainties*

ISO/IEC 17025, *General requirements for the competence of testing and calibration laboratories*

ISO/IEC Guide 98-3, *Uncertainty of measurement — Part 3: Guide to the expression of uncertainty in measurement (GUM:1995)*

ISO/DIS 5167-6:2021(E)

3 Terms and definitions

For the purposes of this document, the terms and definitions given in ISO 4006, ISO 5167-1 and the following apply.

ISO and IEC maintain terminological databases for use in standardization at the following addresses:

- ISO Online browsing platform: available at <https://www.iso.org/obp>
- IEC Electropedia: available at <https://www.electropedia.org/>

3.1

wedge gap

h

maximum gap between the apex of the wedge element and the pipe wall, in the plane perpendicular to the pipe axis

Note 1 to entry: See [Figure 1](#).

3.2

wedge ratio

ratio of the wedge gap to the meter inlet diameter, D

Note 1 to entry: See ISO 4006:1991, Clause 2, for the meter inlet diameter, D .

3.3

wedge throat area

A_t

minimum cross-sectional open area of the wedge meter

4 Principles of the method of measurement and computation

The principle of the method of measurement is based on the installation of the wedge meter into a pipeline in which a fluid is running full. Flow through a wedge meter produces a differential pressure between the upstream and downstream tappings.

The mass flow rate can be determined by the following formulae:

$$q_m = \frac{C}{\sqrt{1-\beta^4}} \varepsilon \frac{\pi}{4} (D\beta)^2 \sqrt{2\Delta p \rho_1} \quad (1)$$

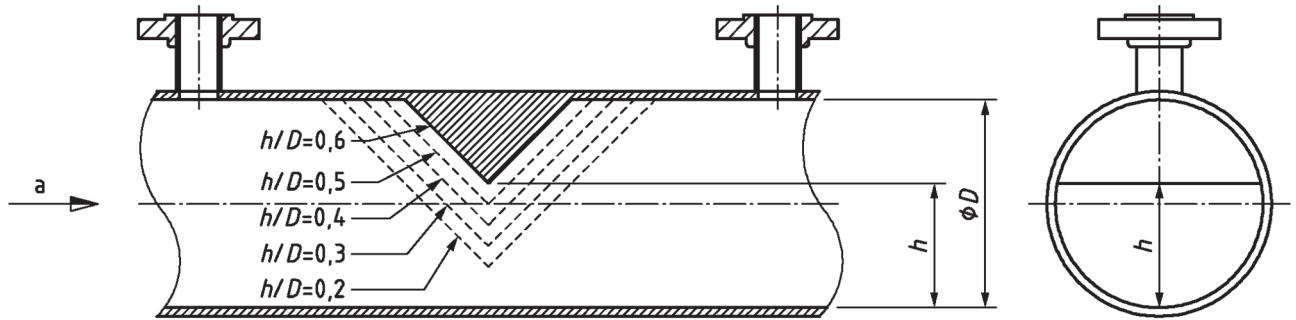
and

$$\beta = \sqrt{\frac{4A_t}{\pi D^2}} \quad (2)$$

A larger β corresponds to a larger wedge gap height, h (see [Figure 1](#)), and therefore a larger throat area A_t . The value of β can be calculated using [Formula \(3\)](#):

$$\beta = \sqrt{\frac{1}{\pi} \left[\arccos \left(1 - \frac{2h}{D} \right) - 2 \left(1 - \frac{2h}{D} \right) \times \sqrt{\frac{h}{D} - \left(\frac{h}{D} \right)^2} \right]} \quad (3)$$

NOTE For example, $h/D = 0,5$ does not correspond to $\beta = 0,5$, but to $\beta = \sqrt{0,5} \approx 0,707$. $\beta = 0,5$ corresponds to $h/D \approx 0,298$.

**Key**

a Flow.

Figure 1 — Wedge meter showing different values of wedge ratio

The uncertainty limits can be calculated using the procedure given in ISO 5167-1:2003, Clause 8.

Similarly, the value of the volume flow rate can be calculated since

$$q_V = \frac{q_m}{\rho} \quad (4)$$

where ρ is the fluid density at the temperature and pressure for which the volume is stated.

Computation of the flow rate, which is a purely arithmetic process, is performed by replacing the different items on the right-hand side of [Formula \(1\)](#) by their numerical values. [Formula \(5\)](#) (or the computed values in [Table A.1](#)) gives wedge meter expansibility factors (ϵ). The values in [Table A.1](#) are not intended for precise interpolation. Extrapolation is not permitted. However, for a meter calibrated according to [Clause 7](#), the coefficient of discharge C is generally related to the Reynolds number, Re , which is itself related to q_m , and has to be obtained by iteration (see ISO 5167-1:2003, Annex A, for guidance regarding the choice of iteration procedure and initial estimates).

The wedge gap, h , and the pipe diameter, D , mentioned in [Formula \(3\)](#) are the values of the lengths at working conditions. Measurements taken at any other conditions should be corrected for any possible expansion or contraction of the primary device and the pipe due to the values of the temperature and pressure of the fluid during the measurement.

As the wedge meter flow rate calculation is particularly sensitive to the pipe diameter and wedge gap values used, the user shall ensure that these are correctly entered into the flow computation calculations. The measured internal diameter shall be used rather than a nominal value.

It is necessary to know the density and the viscosity of the fluid at working conditions. In the case of a compressible fluid, it is also necessary to know the isentropic exponent of the fluid at working conditions.

5 Wedge meters

5.1 Field of application

Uncalibrated wedge meters can be used in pipes with diameters between 50 mm and 600 mm and with $0,377 \leq \beta \leq 0,791$ (wedge ratio $0,2 \leq h/D \leq 0,6$). Wedge meters with $\beta > 0,791$ ($h/D > 0,6$) or $\beta < 0,377$ ($h/D < 0,2$) are not normally manufactured.

There are limits to the roughness which are addressed in [5.2.3](#), [5.2.7](#), and [6.3.2](#). There are limits to the Reynolds number which are addressed in [5.5.2](#).