

---

---

**Alpine and touring ski-bindings —  
Test soles for ski-binding tests**

*Fixations de skis alpins et de randonnée — Semelles d'essai pour les  
essais de fixations de skis*

**iTeh STANDARD PREVIEW**  
**(standards.iteh.ai)**

[ISO 9838:2019](https://standards.iteh.ai/catalog/standards/sist/4bb2ae8e-4252-485e-b52c-a3a05cb8b925/iso-9838-2019)

[https://standards.iteh.ai/catalog/standards/sist/4bb2ae8e-4252-485e-b52c-  
a3a05cb8b925/iso-9838-2019](https://standards.iteh.ai/catalog/standards/sist/4bb2ae8e-4252-485e-b52c-a3a05cb8b925/iso-9838-2019)



**iTeh STANDARD PREVIEW**  
**(standards.iteh.ai)**

ISO 9838:2019

<https://standards.iteh.ai/catalog/standards/sist/4bb2ae8e-4252-485e-b52c-a3a05cb8b925/iso-9838-2019>



**COPYRIGHT PROTECTED DOCUMENT**

© ISO 2019

All rights reserved. Unless otherwise specified, or required in the context of its implementation, no part of this publication may be reproduced or utilized otherwise in any form or by any means, electronic or mechanical, including photocopying, or posting on the internet or an intranet, without prior written permission. Permission can be requested from either ISO at the address below or ISO's member body in the country of the requester.

ISO copyright office  
CP 401 • Ch. de Blandonnet 8  
CH-1214 Vernier, Geneva  
Phone: +41 22 749 01 11  
Fax: +41 22 749 09 47  
Email: [copyright@iso.org](mailto:copyright@iso.org)  
Website: [www.iso.org](http://www.iso.org)

Published in Switzerland

# Contents

	Page
Foreword .....	iv
<b>1 Scope .....</b>	<b>1</b>
<b>2 Normative references .....</b>	<b>1</b>
<b>3 Terms and definitions .....</b>	<b>1</b>
<b>4 Material and manufacture .....</b>	<b>2</b>
<b>5 Dimensions .....</b>	<b>2</b>
<b>6 Mechanical properties .....</b>	<b>7</b>
6.1 Flexional stiffness .....	7
6.2 Compressional stiffness .....	7
6.3 Hardness .....	8
6.3.1 Form A types A and C .....	8
6.3.2 Form T .....	8
6.4 Coefficient of friction .....	8
6.4.1 Form A types A and C .....	8
6.4.2 Form T .....	8
6.5 Coefficient of thermal expansion .....	9
6.6 Requirements .....	9
<b>7 Long-term use .....</b>	<b>9</b>
<b>Bibliography .....</b>	<b>10</b>

**iTeh STANDARD PREVIEW**  
(standards.iteh.ai)

[ISO 9838:2019](https://standards.iteh.ai/catalog/standards/sist/4bb2ae8e-4252-485e-b52c-a3a05cb8b925/iso-9838-2019)

<https://standards.iteh.ai/catalog/standards/sist/4bb2ae8e-4252-485e-b52c-a3a05cb8b925/iso-9838-2019>

## Foreword

ISO (the International Organization for Standardization) is a worldwide federation of national standards bodies (ISO member bodies). The work of preparing International Standards is normally carried out through ISO technical committees. Each member body interested in a subject for which a technical committee has been established has the right to be represented on that committee. International organizations, governmental and non-governmental, in liaison with ISO, also take part in the work. ISO collaborates closely with the International Electrotechnical Commission (IEC) on all matters of electrotechnical standardization.

The procedures used to develop this document and those intended for its further maintenance are described in the ISO/IEC Directives, Part 1. In particular, the different approval criteria needed for the different types of ISO documents should be noted. This document was drafted in accordance with the editorial rules of the ISO/IEC Directives, Part 2 (see [www.iso.org/directives](http://www.iso.org/directives)).

Attention is drawn to the possibility that some of the elements of this document may be the subject of patent rights. ISO shall not be held responsible for identifying any or all such patent rights. Details of any patent rights identified during the development of the document will be in the Introduction and/or on the ISO list of patent declarations received (see [www.iso.org/patents](http://www.iso.org/patents)).

Any trade name used in this document is information given for the convenience of users and does not constitute an endorsement.

For an explanation of the voluntary nature of standards, the meaning of ISO specific terms and expressions related to conformity assessment, as well as information about ISO's adherence to the World Trade Organization (WTO) principles in the Technical Barriers to Trade (TBT) see [www.iso.org/iso/foreword.html](http://www.iso.org/iso/foreword.html).

This document was prepared by Technical Committee ISO/TC 83, *Sports and other recreational facilities and equipment*, Subcommittee SC 4, *Snowsports equipment*.

This fourth edition cancels and replaces the third edition (ISO 9838:2015), which has been technically revised. The main changes compared to the previous edition are modified dimensions and material properties regarding test sole form T.

Any feedback or questions on this document should be directed to the user's national standards body. A complete listing of these bodies can be found at [www.iso.org/members.html](http://www.iso.org/members.html).

# Alpine and touring ski-bindings — Test soles for ski-binding tests

## 1 Scope

This document defines test soles representing

- an alpine ski-boot (form A) or at least the bottom part of it to be used for testing alpine ski-bindings for alpine skiing in accordance with ISO 9462 and ISO 9465, and
- a touring ski-boot (form T) or at least the bottom part of it to be used for testing touring ski-bindings for touring skiing in accordance with ISO 13992 and ISO 9465.

NOTE Ski-boots have their own International Standards (ISO 5355 and ISO 9523) that allow relatively large tolerances in defining the test sole which are generally believed to be suitable for on-slope use by skiers, but too large for reproducible laboratory measurements.

## 2 Normative references

The following documents are referred to in the text in such a way that some or all of their content constitutes requirements of this document. For dated references, only the edition cited applies. For undated references, the latest edition of the referenced document (including any amendments) applies.

ISO 868, *Plastics and ebonite — Determination of indentation hardness by means of a durometer (Shore hardness)*

ISO 9838:2019

ISO 5355, *Alpine ski-boots — Requirements and test methods*

ISO 9462, *Alpine ski-bindings — Requirements and test methods*

## 3 Terms and definitions

For the purposes of this document, the terms and definitions given in ISO 5355 and the following apply.

ISO and IEC maintain terminological databases for use in standardization at the following addresses:

- ISO Online browsing platform: available at <https://www.iso.org/obp>
- IEC Electropedia: available at <http://www.electropedia.org/>

### 3.1

#### test sole form A

test sole for testing alpine ski-bindings

### 3.2

#### test sole form T

test sole for testing touring ski-bindings

### 3.3

#### test sole type A

test sole to test ski-bindings suitable for ski-boots for adults

Note 1 to entry: Ski-boots for adults are defined in ISO 5355.

**3.4 test sole type C**

test sole to test ski-bindings suitable for ski-boots for children

Note 1 to entry: Ski-boots for children are defined in ISO 5355.

**3.5 basic test sole**

one-piece sole of length 305 mm for type A and 255 mm for type C

**3.6 variable test sole**

sole that is either adjustable, in two parts, or a set of several fixed length soles

Note 1 to entry: For type A between 270 mm and 360 mm and for type C between 200 mm and 280 mm.

**4 Material and manufacture**

The sole shall be moulded in polyurethane (TPU) reinforced by a metal insert in order to achieve the mechanical requirements given in [Clause 6](#). It is moulded in a homogeneous material and in a mould with the same roughness on the sole/binding interface to ensure that the friction coefficient is the same all over this interface.

In the shell areas, reinforcement is allowed to support the walls. It should remain outside the flat area.

Form T could be based, for example, on the same construction as form A type A with the addition of a TPU part to allow tooling of the defined profile in [Figure 3](#) and glueing of a thick rubber sole of hardness  $68 \pm 5$  Shore A. The dimensions of test sole form T which are not given in [Figure 3](#) shall be taken from test sole form A type A shown in [Figure 1](#).

iTech STANDARD PREVIEW  
(standards.iteh.ai)  
ISO 9838:2019  
<https://standards.iteh.ai/catalog/standards/sist/4bb2ae8e-4252-485e-b52c-a3a05cb8b925/iso-9838-2019>

**5 Dimensions**

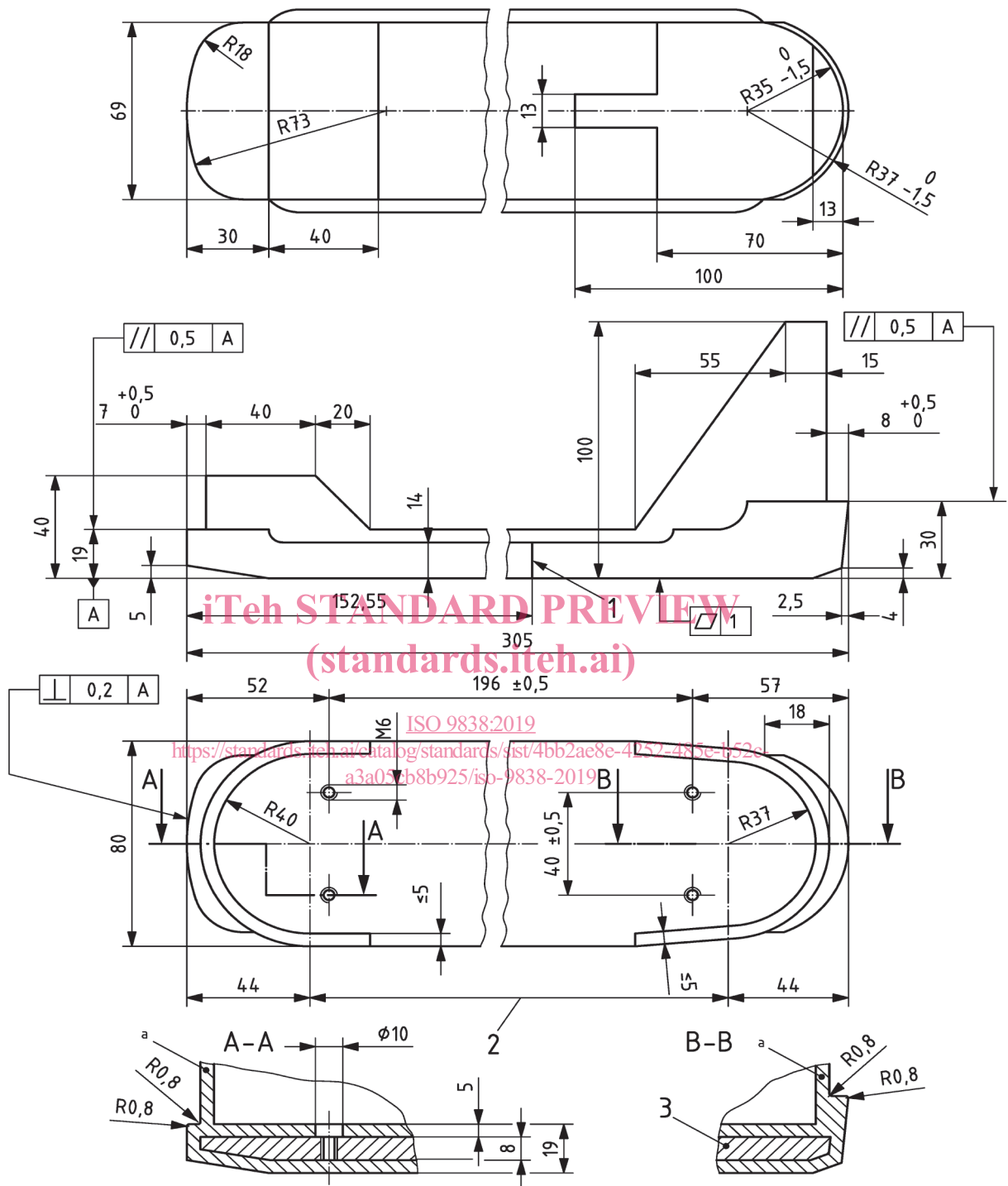
The dimensions of the basic sole shall be as shown in [Figures 1](#) to [3](#). Except for the overall length, all the dimensions also apply to the variable length soles subject to the tolerance in [Table 1](#).

**Table 1 — Tolerance**

Dimensions in millimetres

Dimension	Tolerance for nominal dimension of				
	0,5 to 3	> 3 to 6	> 6 to 30	> 30 to 120	> 120 to 315
Length dimensions	±0,15	±0,2	±0,5	±0,8	±1,2
Radius and chamfer	±0,2	±0,5	±1	±2	—

Dimensions in millimetres

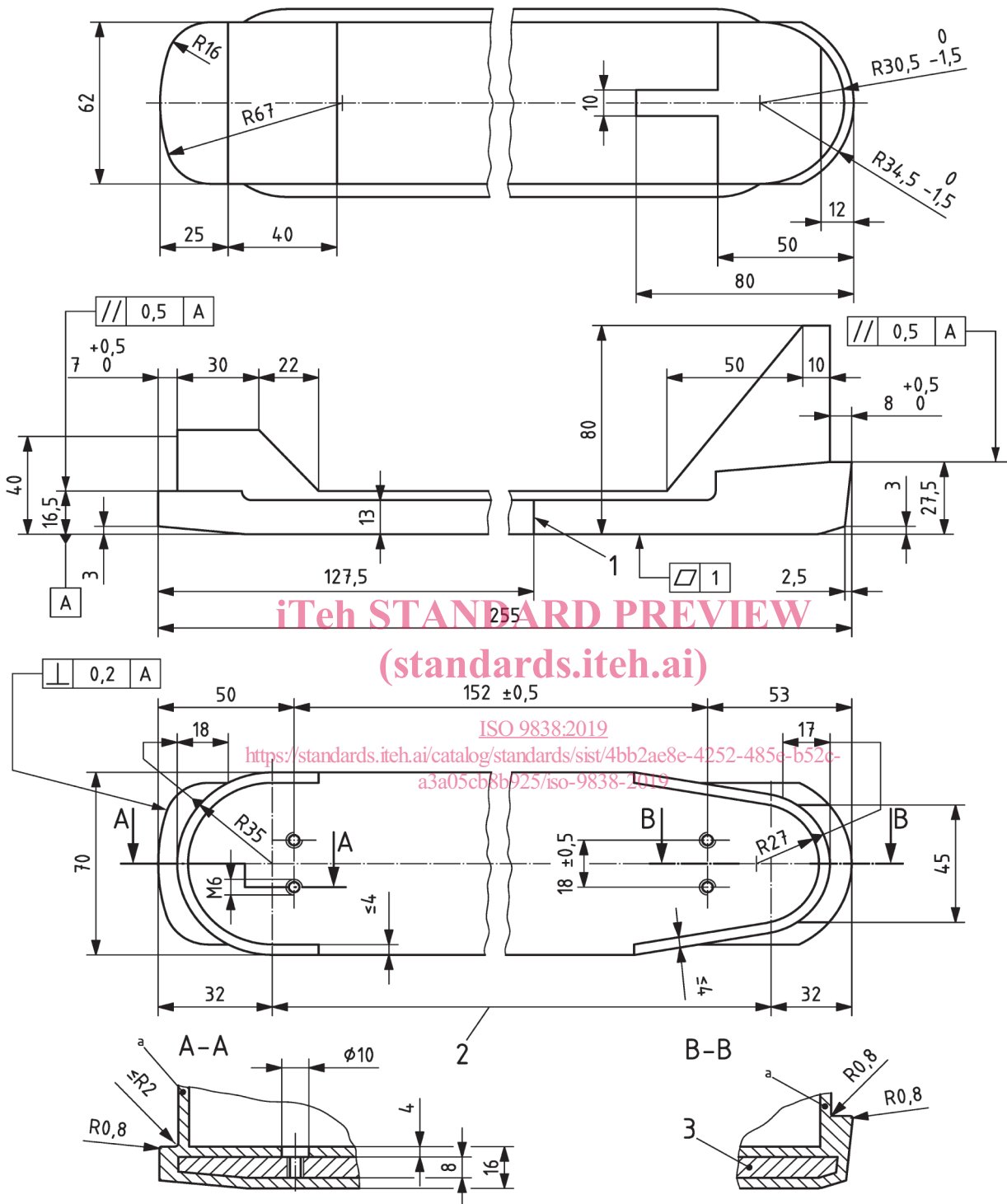


**Key**

- 1 central mark
- 2 flat area
- 3 reinforcement plate
- a See [Clause 4](#).

**Figure 1 — Test sole form A type A**

Dimensions in millimetres

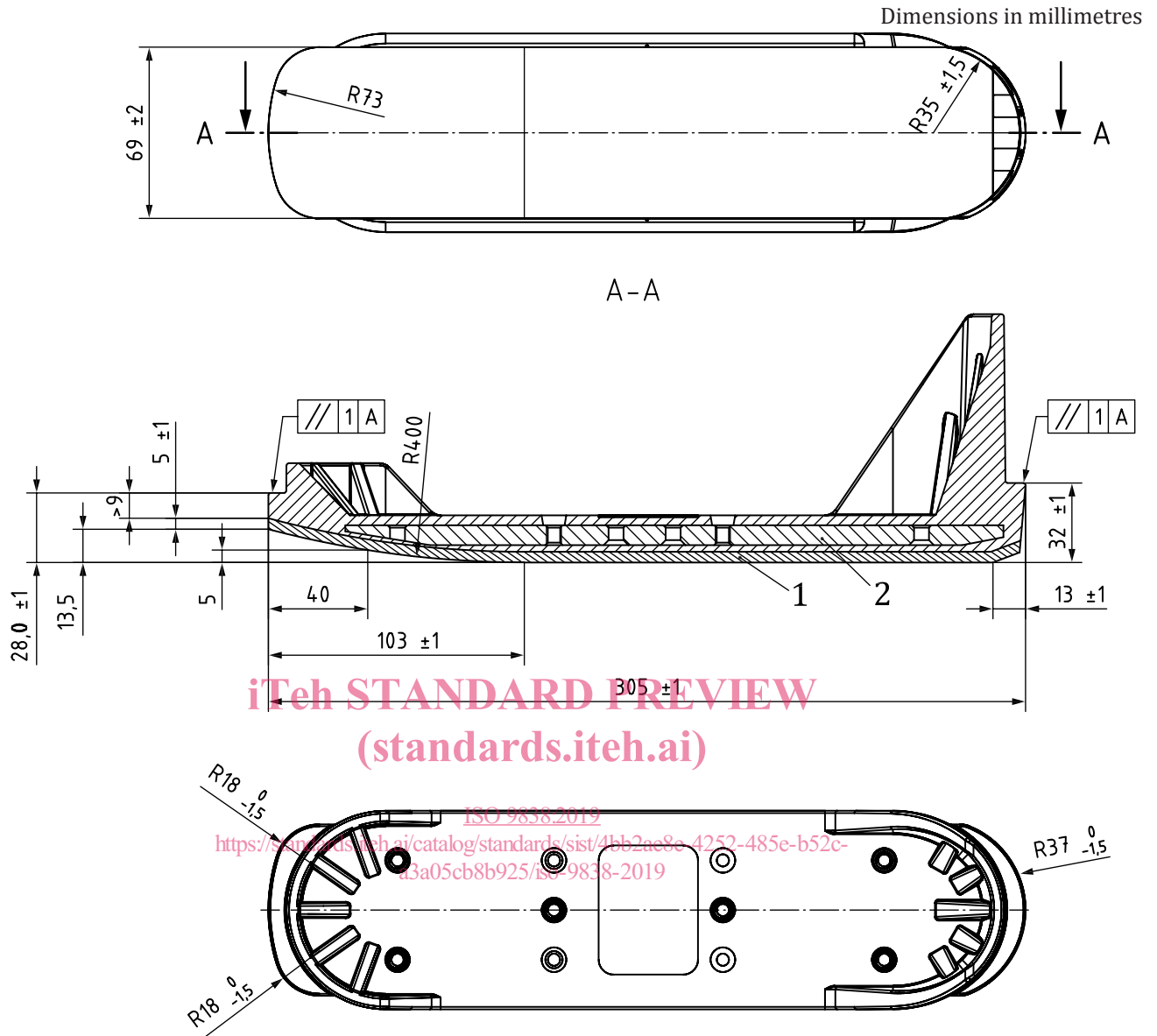


**Key**

- 1 central mark
- 2 flat area
- 3 reinforcement plate
- a See [Clause 4](#).

**Figure 2 — Test sole form A type C**





**Key**

- 1  $68 \pm 5$  Shore A rubber
- 2 reinforcement plate

**Figure 3 — Test sole form T**

To simulate inserts of boots soles, the test sole shall have holes and cut outs with dimensions according to [Figure 4](#) and [Figure 5](#).