
**Rubber, vulcanized or
thermoplastic — Determination of
hardness —**

Part 6:
**Apparent hardness of rubber-covered
rollers by IRHD method**

iTeh STANDARD PREVIEW
(standards.iteh.ai)

*Caoutchouc vulcanisé ou thermoplastique — Détermination de la
dureté —*

*Partie 6: Dureté apparente des cylindres revêtus de caoutchouc par la
méthode DIDC*

<https://standards.iteh.ai/catalog/standards/sist/d70ec0e2-0e9b-4cce-94a2-f42f484081e3/iso-48-6-2018>



iTeh STANDARD PREVIEW
(standards.iteh.ai)

ISO 48-6:2018

<https://standards.iteh.ai/catalog/standards/sist/d70ec0e2-0e9b-4cee-94a2-f42f484081e3/iso-48-6-2018>



COPYRIGHT PROTECTED DOCUMENT

© ISO 2018

All rights reserved. Unless otherwise specified, or required in the context of its implementation, no part of this publication may be reproduced or utilized otherwise in any form or by any means, electronic or mechanical, including photocopying, or posting on the internet or an intranet, without prior written permission. Permission can be requested from either ISO at the address below or ISO's member body in the country of the requester.

ISO copyright office
CP 401 • Ch. de Blandonnet 8
CH-1214 Vernier, Geneva
Phone: +41 22 749 01 11
Fax: +41 22 749 09 47
Email: copyright@iso.org
Website: www.iso.org

Published in Switzerland

Contents

	Page
Foreword.....	iv
Introduction.....	v
1 Scope.....	1
2 Normative references.....	1
3 Terms and definitions.....	1
4 Time interval between forming and finished grinding, and testing.....	2
5 Conditioning and temperature of test.....	2
6 Apparatus.....	2
6.1 Rollers having a radius greater than 50 mm.....	2
6.2 Rollers having a radius of 4 mm to 50 mm.....	3
6.3 Small rollers having a radius less than 4 mm.....	3
7 Procedure.....	3
8 Expression of results.....	4
9 Test report.....	4
Bibliography.....	5

iTeh STANDARD PREVIEW (standards.iteh.ai)

[ISO 48-6:2018](https://standards.iteh.ai/catalog/standards/sist/d70ec0e2-0e9b-4cee-94a2-f42f484081e3/iso-48-6-2018)

<https://standards.iteh.ai/catalog/standards/sist/d70ec0e2-0e9b-4cee-94a2-f42f484081e3/iso-48-6-2018>

Foreword

ISO (the International Organization for Standardization) is a worldwide federation of national standards bodies (ISO member bodies). The work of preparing International Standards is normally carried out through ISO technical committees. Each member body interested in a subject for which a technical committee has been established has the right to be represented on that committee. International organizations, governmental and non-governmental, in liaison with ISO, also take part in the work. ISO collaborates closely with the International Electrotechnical Commission (IEC) on all matters of electrotechnical standardization.

The procedures used to develop this document and those intended for its further maintenance are described in the ISO/IEC Directives, Part 1. In particular, the different approval criteria needed for the different types of ISO documents should be noted. This document was drafted in accordance with the editorial rules of the ISO/IEC Directives, Part 2 (see www.iso.org/directives).

Attention is drawn to the possibility that some of the elements of this document may be the subject of patent rights. ISO shall not be held responsible for identifying any or all such patent rights. Details of any patent rights identified during the development of the document will be in the Introduction and/or on the ISO list of patent declarations received (see www.iso.org/patents).

Any trade name used in this document is information given for the convenience of users and does not constitute an endorsement.

For an explanation of the voluntary nature of standards, the meaning of ISO specific terms and expressions related to conformity assessment, as well as information about ISO's adherence to the World Trade Organization (WTO) principles in the Technical Barriers to Trade (TBT) see the following URL: www.iso.org/iso/foreword.html. (standards.iteh.ai)

This document was prepared by Technical Committee ISO/TC 45, *Rubber and rubber products*, Subcommittee SC 2, *Testing and analysis*. ISO 48-6:2018

<https://standards.iteh.ai/catalog/standards/sist/d70ec0e2-0e9b-4cce-94a2-828b4981e50b/iso-48-6-2018>

This first edition of ISO 48-6 cancels and replaces ISO 7267-1:2017, of which it constitutes a minor revision. The changes compared to the previous edition are as follows:

- A new standard number has been given.
- In the Introduction, an explanation of the purpose of the grouping work has been added.

A list of all parts in the ISO 48 series can be found on the ISO website.

Any feedback or questions on this document should be directed to the user's national standards body. A complete listing of these bodies can be found at www.iso.org/members.html.

Introduction

ISO/TC 45/SC 2 established a principle that it would be helpful for users if standards on the same subject but covering different aspects or methods were grouped together, preferably with an introductory guidance standard, rather than being scattered throughout the numbering system. This has been achieved for some subjects, for example curemeters (ISO 6502) and dynamic properties (ISO 4664).

In 2017, it was decided to group standards for hardness and, subsequently, it was agreed that they would be grouped under the ISO 48 number. The new standards together with the previously numbered standards are listed below.

- ISO 48-1: former ISO 18517
- ISO 48-2: former ISO 48
- ISO 48-3: former ISO 27588
- ISO 48-4: former ISO 7619-1
- ISO 48-5: former ISO 7619-2
- ISO 48-6: former ISO 7267-1
- ISO 48-7: former ISO 7267-2
- ISO 48-8: former ISO 7267-3
- ISO 48-9: former ISO 18898

ITEH STANDARD PREVIEW
(standards.iteh.ai)

The hardness of a roller covering has traditionally been determined on the finished roller, since it is this hardness that is critical to the correct functioning of the roller in its end application. Values of hardness, determined by whichever method is chosen, are therefore dependent not only on the method employed and on the rubber, but also on the diameter of the roller, the thickness of the covering and, in the case of thin coverings, on the nature of the roller core. For this reason, the term “apparent hardness” is used to distinguish between the values obtained by methods described in the various parts of this document and those that would be obtained for the rubber if it was possible to use the standard test methods for standard test pieces forming the subjects of other International Standards.

Since rollers vary considerably in size, construction and end use, and in view of the fact that hardness determinations are made for such different purposes as specification and factory process control, it has not been possible to standardize on one test method. Consequently, three methods are described in ISO 48-6, ISO 48-7 and ISO 48-8, each capable of standing alone.

iTeh STANDARD PREVIEW
(standards.iteh.ai)

ISO 48-6:2018

<https://standards.iteh.ai/catalog/standards/sist/d70ec0e2-0e9b-4cee-94a2-f42f484081e3/iso-48-6-2018>

Rubber, vulcanized or thermoplastic — Determination of hardness —

Part 6:

Apparent hardness of rubber-covered rollers by IRHD method

WARNING 1 — Persons using this document should be familiar with normal laboratory practice. This document does not purport to address all of the safety problems, if any, associated with its use. It is the responsibility of the user to establish appropriate safety and health practices and to determine the applicability of any other restrictions.

WARNING 2 — Certain procedures specified in this document might involve the use or generation of substances, or the generation of waste, that could constitute a local environmental hazard. Reference should be made to appropriate documentation on safe handling and disposal after use.

1 Scope

This document specifies a method for the determination of the apparent hardness, expressed in International Rubber Hardness Degrees (IRHD), of vulcanized- or thermoplastic-rubber roller covers.

The method is similar in principle to the methods used for the determination of the hardness of rubber in ISO 48-2 in that it consists essentially of measuring the depth of penetration of a spherical indenter operating under a specified force. The apparatus used is similar to that described in ISO 48-2, having a base specifically designed for application to roller covers and similar curved surfaces.

NOTE With some rollers, there can be significant variation in the thickness of the rubber over the surface of the roller, which could affect the measured apparent hardness.

2 Normative references

The following documents are referred to in the text in such a way that some or all of their content constitutes requirements of this document. For dated references, only the edition cited applies. For undated references, the latest edition of the referenced document (including any amendments) applies.

ISO 48-2:2018, *Rubber, vulcanized or thermoplastic — Determination of hardness — Part 2: Hardness between 10 IRHD and 100 IRHD*

ISO 23529, *Rubber — General procedures for preparing and conditioning test pieces for physical test methods*

3 Terms and definitions

No terms and definitions are listed in this document.

ISO and IEC maintain terminological databases for use in standardization at the following addresses:

- ISO Online browsing platform: available at <https://www.iso.org/obp>
- IEC Electropedia: available at <https://www.electropedia.org/>

4 Time interval between forming and finished grinding, and testing

Tests shall not be carried out less than 16 h after forming and/or finished grinding and, for arbitration purposes, not less than 72 h after forming.

5 Conditioning and temperature of test

Whenever possible, the test shall be carried out at a standard laboratory temperature in accordance with ISO 23529. The product under test shall, if possible, be maintained under the test conditions for sufficient time to reach temperature equilibrium with the test environment. Where this is impracticable, the period of time and the conditions shall be as given in the product specification (see Note).

The same temperature shall be used throughout any one test or series of tests intended to be comparable.

NOTE For large rollers having heavy, metal cores, ambient conditions might not allow equilibrium temperatures to be obtained.

6 Apparatus

6.1 Rollers having a radius greater than 50 mm

The apparatus used shall be that described in ISO 48-2:2018, method CN, CH or CL, as appropriate to the nominal apparent hardness of the roller cover to be tested.

The base of the instrument shall have a hole below the plunger allowing free passage of the annular foot such that measurement may be made above or below the base.

The lower surface of the base shall be in the form of two cylinders parallel to each other and the plane of the base. The diameter of the cylinders and their distance apart shall be such as to locate and support the instrument on the curved surface to be tested (see Figure 1). Alternatively, the base may be fitted with feet movable in universal joints so that they adapt themselves to the curved surface.

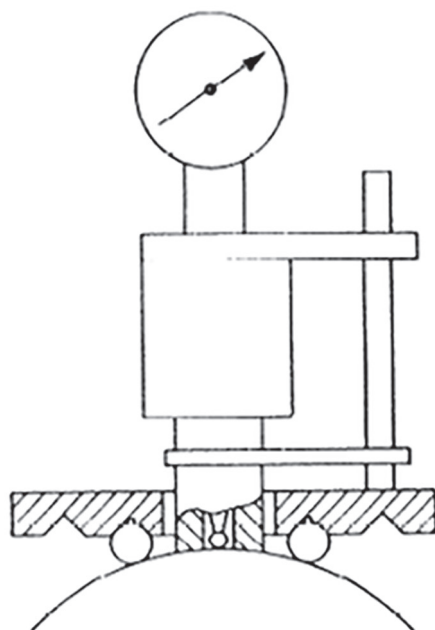


Figure 1 — Testing surfaces of large radius ($R > 50$ mm)

6.2 Rollers having a radius of 4 mm to 50 mm

The apparatus used shall be that described in ISO 48-2:2018, method CN, CH or CL, as appropriate to the nominal apparent hardness of the roller cover to be tested.

On surfaces too small to support the instrument, jigs or V-blocks shall be provided to support the journals or shafts of the rollers so that the indenter is vertically above the axis of the roller under test (see [Figure 2](#)).

Wax may be used to support smaller rollers.

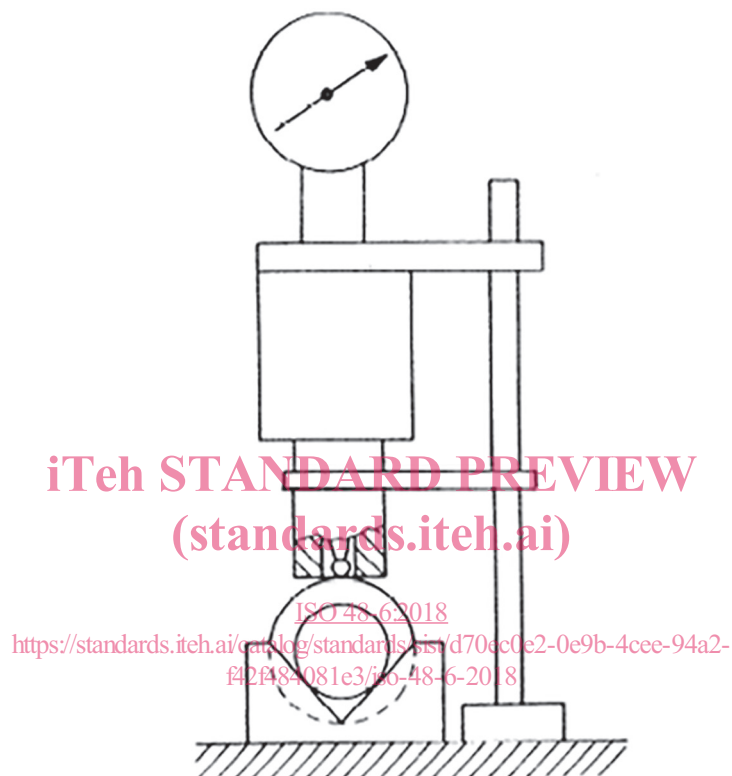


Figure 2 — Test jig for surfaces of small radius ($4 \text{ mm} \leq R \leq 50 \text{ mm}$)

6.3 Small rollers having a radius less than 4 mm

The apparatus used shall be that described in ISO 48-2:2018, method CM.

Jigs or blocks shall be provided to support the roller so that the indenter is vertically above the axis of the roller under test. Alternatively, the roller shall be secured by wax to the instrument table. No test shall be made if the radius is less than 0,8 mm.

7 Procedure

7.1 Firmly locate the roller to be tested with its major axis horizontal and with the area in which the hardness is to be measured uppermost. Place the measuring equipment, with the plunger vertical, on the roller over the position where the hardness is to be measured and lower the foot into contact with the roller surface. Bring the plunger and the indenting ball into contact with the rubber under the contact force. After 5 s, if the gauge is graduated in International Rubber Hardness Degrees (IRHD), adjust the