
**Fasteners — Hexagon high nuts
(style 2), with fine pitch thread**

Fixations — Écrous hauts hexagonaux (style 2), à pas fin

iTeh STANDARD PREVIEW
(standards.iteh.ai)

ISO 8674:2023

<https://standards.iteh.ai/catalog/standards/sist/0a9f39f5-6bbd-4004-9a0a-166fda6cf016/iso-8674-2023>



iTeh STANDARD PREVIEW (standards.iteh.ai)

ISO 8674:2023

<https://standards.iteh.ai/catalog/standards/sist/0a9f39f5-6bbd-4004-9a0a-166fda6cf016/iso-8674-2023>



COPYRIGHT PROTECTED DOCUMENT

© ISO 2023

All rights reserved. Unless otherwise specified, or required in the context of its implementation, no part of this publication may be reproduced or utilized otherwise in any form or by any means, electronic or mechanical, including photocopying, or posting on the internet or an intranet, without prior written permission. Permission can be requested from either ISO at the address below or ISO's member body in the country of the requester.

ISO copyright office
CP 401 • Ch. de Blandonnet 8
CH-1214 Vernier, Geneva
Phone: +41 22 749 01 11
Email: copyright@iso.org
Website: www.iso.org

Published in Switzerland

Contents

	Page
Foreword.....	iv
1 Scope	1
2 Normative references	1
3 Terms and definitions	1
4 Dimensions	2
5 Requirements and reference International Standards	4
6 Marking and labelling	5
6.1 Marking on product.....	5
6.2 Labelling on package.....	5
7 Designation	5
Bibliography	6

iTeh STANDARD PREVIEW (standards.iteh.ai)

[ISO 8674:2023](https://standards.iteh.ai/catalog/standards/sist/0a9f39f5-6bbd-4004-9a0a-166fda6cf016/iso-8674-2023)

<https://standards.iteh.ai/catalog/standards/sist/0a9f39f5-6bbd-4004-9a0a-166fda6cf016/iso-8674-2023>

Foreword

ISO (the International Organization for Standardization) is a worldwide federation of national standards bodies (ISO member bodies). The work of preparing International Standards is normally carried out through ISO technical committees. Each member body interested in a subject for which a technical committee has been established has the right to be represented on that committee. International organizations, governmental and non-governmental, in liaison with ISO, also take part in the work. ISO collaborates closely with the International Electrotechnical Commission (IEC) on all matters of electrotechnical standardization.

The procedures used to develop this document and those intended for its further maintenance are described in the ISO/IEC Directives, Part 1. In particular, the different approval criteria needed for the different types of ISO documents should be noted. This document was drafted in accordance with the editorial rules of the ISO/IEC Directives, Part 2 (see www.iso.org/directives).

Attention is drawn to the possibility that some of the elements of this document may be the subject of patent rights. ISO shall not be held responsible for identifying any or all such patent rights. Details of any patent rights identified during the development of the document will be in the Introduction and/or on the ISO list of patent declarations received (see www.iso.org/patents).

Any trade name used in this document is information given for the convenience of users and does not constitute an endorsement.

For an explanation of the voluntary nature of standards, the meaning of ISO specific terms and expressions related to conformity assessment, as well as information about ISO's adherence to the World Trade Organization (WTO) principles in the Technical Barriers to Trade (TBT), see www.iso.org/iso/foreword.html.

This document was prepared by Technical Committee ISO/TC 2, *Fasteners*, Subcommittee SC 12, *Fasteners with metric internal thread*, in collaboration with the European Committee for Standardization (CEN) Technical Committee CEN/TC 185, *Fasteners*, in accordance with the Agreement on technical cooperation between ISO and CEN (Vienna Agreement).

This fourth edition cancels and replaces the third edition (ISO 8674:2012), which has been technically revised.

The main changes are as follows:

- M18×2, M20×2, M22×2 and M39×3 have been added;
- $d_{a,max}$ has been specified with two decimal places;
- for steel nuts, quenching and tempering condition has been specified in accordance with ISO 898-2;
- stainless steel nuts have been added;
- specifications for marking and labelling have been added as [Clause 6](#).

Any feedback or questions on this document should be directed to the user's national standards body. A complete listing of these bodies can be found at www.iso.org/members.html.

Fasteners — Hexagon high nuts (style 2), with fine pitch thread

1 Scope

This document specifies the characteristics of hexagon high nuts (style 2), in steel and stainless steel, with metric fine pitch thread 8 mm to 39 mm, and with product grades A and B.

If in certain cases other specifications are requested, property classes and stainless steel grades can be selected from ISO 898-2 or ISO 3506-2.

2 Normative references

The following documents are referred to in the text in such a way that some or all of their content constitutes requirements of this document. For dated references, only the edition cited applies. For undated references, the latest edition of the referenced document (including any amendments) applies.

ISO 225, *Fasteners — Bolts, screws, studs and nuts — Symbols and descriptions of dimensions*

ISO 898-2, *Fasteners — Mechanical properties of fasteners made of carbon steel and alloy steel — Part 2: Nuts with specified property classes*

ISO 965-1, *ISO general purpose metric screw threads — Tolerances — Part 1: Principles and basic data*

ISO 1891-4, *Fasteners — Vocabulary — Part 4: Control, inspection, delivery, acceptance and quality*

ISO 3269, *Fasteners — Acceptance inspection*

ISO 3506-2, *Fasteners — Mechanical properties of corrosion-resistant stainless steel fasteners — Part 2: Nuts with specified grades and property classes*

ISO 4042, *Fasteners — Electroplated coating systems*

ISO 4759-1, *Tolerances for fasteners — Part 1: Bolts, screws, studs and nuts — Product grades A, B and C*

ISO 6157-2, *Fasteners — Surface discontinuities — Part 2: Nuts*

ISO 8991, *Designation system for fasteners*

ISO 8992, *Fasteners — General requirements for bolts, screws, studs and nuts*

ISO 10683, *Fasteners — Non-electrolytically applied zinc flake coating systems*

3 Terms and definitions

No terms and definitions are listed in this document.

ISO and IEC maintain terminology databases for use in standardization at the following addresses:

- ISO Online browsing platform: available at <https://www.iso.org/obp>
- IEC Electropedia: available at <https://www.electropedia.org/>

4 Dimensions

Dimensions shall be in accordance with [Figures 1](#) and [2](#), and with [Tables 1](#) and [2](#). Unless otherwise specified at the time of order, the nuts are delivered without washer-face.

Symbols and descriptions of dimensions are specified in ISO 225.

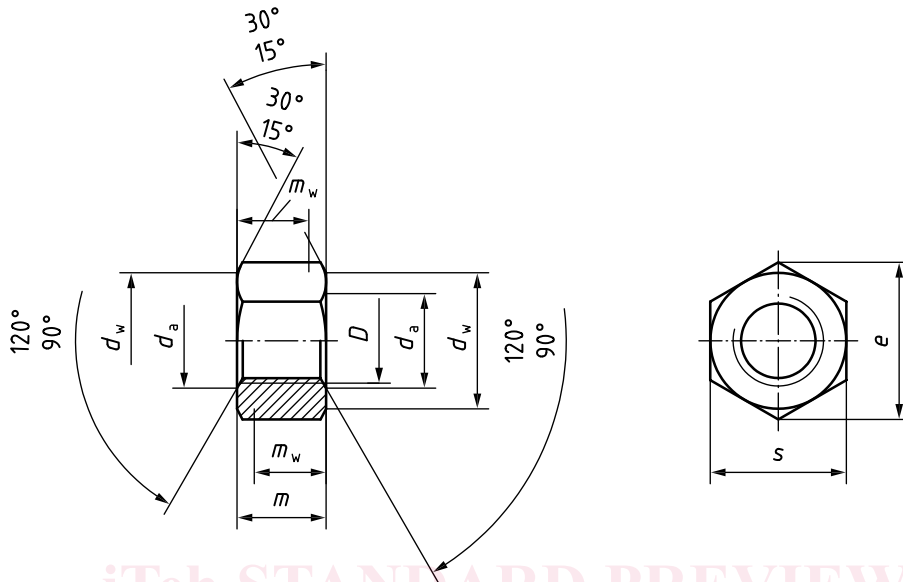


Figure 1 — Nut without washer-face

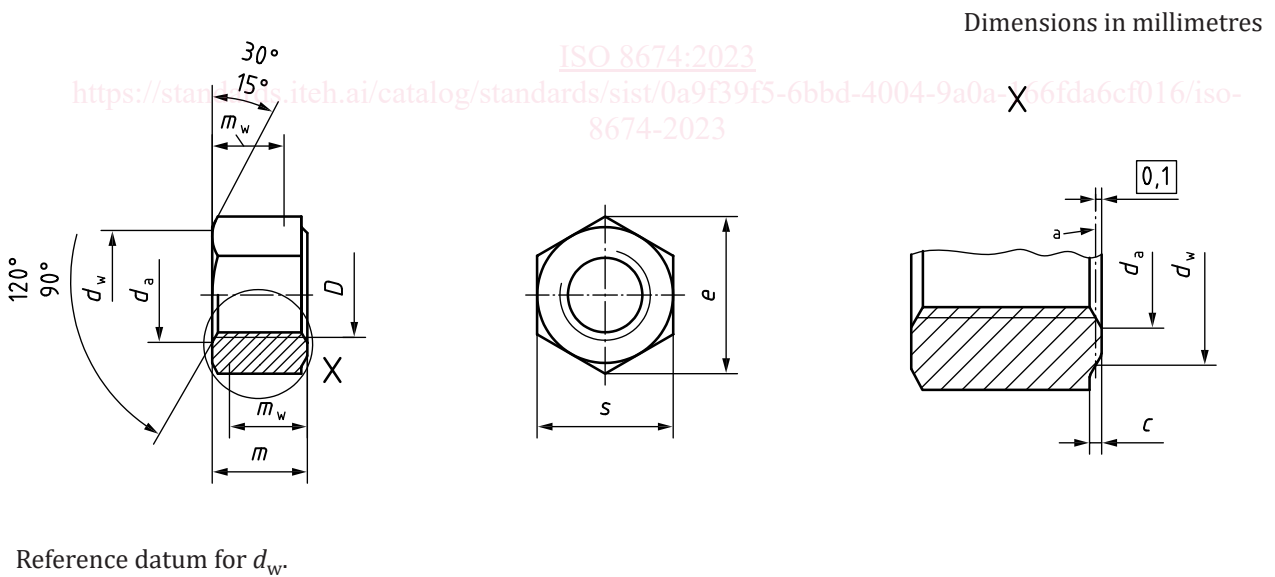


Figure 2 — Nut with optional washer-face

Table 1 — Dimensions for nuts 8 mm to 16 mm (product grade A)

Dimensions in millimetres

Thread, $D \times P^a$		M8×1	M10×1,25	M12×1,5	(M14×1,5)	M16×1,5
		—	(M10×1)	(M12×1,25)	—	—
c^b	max.	0,60	0,60	0,60	0,60	0,80
	min.	0,15	0,15	0,15	0,15	0,20
d_a	max.	8,75	10,80	12,96	15,12	17,28
	min.	8,00	10,00	12,00	14,00	16,00
d_w	min.	11,63	14,63	16,63	19,64	22,49
e	min.	14,38	17,77	20,03	23,36	26,75
m	max.	7,50	9,30	12,00	14,10	16,40
	min.	7,14	8,94	11,57	13,40	15,70
m_w	min.	5,71	7,15	9,26	10,72	12,56
s	nom. = max.	13,00	16,00	18,00	21,00	24,00
	min.	12,73	15,73	17,73	20,67	23,67

NOTE Sizes shown in brackets are non-preferred.

^a P is the pitch of the thread.

^b c only applies if a washer-face is present.

iTeh STANDARD PREVIEW

Table 2 — Dimensions for nuts 18 mm to 39 mm (product grade B)

Dimensions in millimetres

Thread, $D \times P^a$		(M18×2)	M20×2	(M22×2)	M24×2	(M27×2)	M30×2	(M33×2)	M36×3	(M39×3)
		(M18×1,5)	(M20×1,5)	(M22×1,5)	—	—	—	—	—	—
c^b	max.	0,80	0,80	0,80	0,80	0,80	0,80	0,80	0,80	1,00
	min.	0,20	0,20	0,20	0,20	0,20	0,20	0,20	0,20	0,30
d_a	max.	19,44	21,60	23,76	25,92	29,16	32,40	35,64	38,88	42,12
	min.	18,00	20,00	22,00	24,00	27,00	30,00	33,00	36,00	39,00
d_w	min.	24,85	27,70	31,35	33,25	38,00	42,75	46,55	51,11	55,86
e	min.	29,56	32,95	37,29	39,55	45,20	50,85	55,37	60,79	66,44
m	max.	17,60	20,30	21,80	23,90	26,70	28,60	32,50	34,70	37,50
	min.	16,90	19,00	20,50	22,60	25,40	27,30	30,90	33,10	35,90
m_w	min.	13,52	15,20	16,40	18,08	20,32	21,84	24,72	26,48	28,72
s	nom. = max.	27,00	30,00	34,00	36,00	41,00	46,00	50,00	55,00	60,00
	min.	26,16	29,16	33,00	35,00	40,00	45,00	49,00	53,80	58,80

NOTE Sizes shown in brackets are non-preferred.

^a P is the pitch of the thread.

^b c only applies if a washer-face is present.

5 Requirements and reference International Standards

The requirements specified in the International Standards referenced in [Table 3](#) shall apply.

Table 3 — Requirements and reference International Standards

Material		Steel	Stainless steel
General requirements	International Standard	ISO 8992	
Thread	Tolerance class	6H ^a	
	International Standard	ISO 965-1	
Mechanical properties	Style	2	
	Property class	8 mm ≤ <i>D</i> ≤ 16 mm 8 ^b , 10 ^c , 12 ^c	—
	Symbol	16 mm < <i>D</i> ≤ 39 mm 8 ^c , 10 ^c , 12 ^c	
	Grade ^d and property class	—	8 mm ≤ <i>D</i> ≤ 24 mm A2-70, A4-70, A4-80, D4-80, D6-80
	Symbol	—	24 mm < <i>D</i> ≤ 39 mm A2-50, A2-70, A4-50, A4-70, D4-70, D6-70
	International Standard	ISO 898-2	ISO 3506-2
Tolerances	Product grade	<i>D</i> ≤ 16 mm: A	<i>D</i> > 16 mm: B
	International Standard	ISO 4759-1	
Surface condition	As processed (no coating) Electroplated coatings as specified in ISO 4042 Non-electrolytically applied zinc flake coatings as specified in ISO 10683 Other finishes, coatings and/or additional requirements shall be agreed between the purchaser and the supplier	Clean and bright and/or Passivated ^e	
Surface integrity	Limits for surface discontinuities as specified in ISO 6157-2	As agreed ^f	
Acceptability	Acceptance inspection as specified in ISO 3269		

^a Depending on the type of coating to be applied, another tolerance position of the thread may be specified for the uncoated nuts in accordance with the relevant coating standard.

^b May be quenched and tempered at the manufacturer's discretion, in accordance with ISO 898-2 (NQT or QT nuts).

^c Shall be quenched and tempered in accordance with ISO 898-2 (QT nuts).

^d The most common stainless steel grades are A2 and A4; however, depending on the application, it can be necessary to select other grades in ISO 3506-2 suitable for the service corrosive environment. For use at high temperatures (up to 800 °C), mechanical properties are specified in ISO 3506-5. See also ISO 3506-6 for the selection of suitable stainless steel grades.

^e See e.g. ISO 16048.

^f See e.g. ISO 6157-2.

6 Marking and labelling

6.1 Marking on product

Marking shall be:

- for steel nuts, as specified in ISO 898-2,
- for stainless steel nuts, as specified in ISO 3506-2.

6.2 Labelling on package

Labelling on the package shall be in accordance with ISO 898-2 or ISO 3506-2, and shall include at least:

- the reference to this document, i.e. ISO 8674,
- the thread size and fine pitch $D \times P$,
- for steel nuts, the symbol of the property class,
- for stainless steel nuts, the grade and symbol of the property class,
- the type of surface condition (finish and/or coating),
- the manufacturer's and/or distributor's identification and/or name,
- the manufacturing lot number as specified in ISO 1891-4,
- the quantity of pieces in the package.

7 Designation

The designation requirements as specified in ISO 8991 shall apply with:

- for steel nuts, the symbol of the property class as specified in ISO 898-2,
- for stainless steel nuts, the grade and symbol of the property class as specified in ISO 3506-2.

When no specific surface condition (finish and/or coating) is specified in the designation, steel nuts are delivered in the as processed condition and stainless steel nuts in the clean and bright condition.

EXAMPLE 1 A hexagon high nut (style 2) in accordance with this document, with thread size 24 mm and fine pitch $P = 2$ mm, product grade B, in steel, property class 10, as processed, is designated as follows:

Hexagon high nut ISO 8674 – M24×2 – 10

EXAMPLE 2 A hexagon high nut (style 2) in accordance with this document, with thread size 12 mm and fine pitch $P = 1,5$ mm, product grade A, in stainless steel grade A4 and property class 80, clean and bright, is designated as follows:

Hexagon high nut ISO 8674 – M12×1,5 – A4-80

Bibliography

- [1] ISO 3506-5, *Fasteners — Mechanical properties of corrosion-resistant stainless steel fasteners — Part 5: Special fasteners (also including fasteners from nickel alloys) for high temperature applications*
- [2] ISO 3506-6, *Fasteners — Mechanical properties of corrosion-resistant stainless steel fasteners — Part 6: General rules for the selection of stainless steels and nickel alloys for fasteners*
- [3] ISO 16048, *Passivation of corrosion-resistant stainless-steel fasteners*

iTeh STANDARD PREVIEW
(standards.iteh.ai)

[ISO 8674:2023](https://standards.iteh.ai/catalog/standards/sist/0a9f39f5-6bbd-4004-9a0a-166fda6cf016/iso-8674-2023)

<https://standards.iteh.ai/catalog/standards/sist/0a9f39f5-6bbd-4004-9a0a-166fda6cf016/iso-8674-2023>