



Designation: E 746 – 02

## Standard Test Method for Determining Relative Image Quality Response of Industrial Radiographic Film Systems<sup>1</sup>

This standard is issued under the fixed designation E 746; the number immediately following the designation indicates the year of original adoption or, in the case of revision, the year of last revision. A number in parentheses indicates the year of last reapproval. A superscript epsilon ( $\epsilon$ ) indicates an editorial change since the last revision or reapproval.

### 1. Scope

1.1 This test method covers the determination of the relative image quality response of industrial radiographic film systems when exposed to 200-kV X-rays. The evaluation of the film is based upon the threshold visibility of penetrometer holes in a special image quality indicator (IQI). Results for a given film type may vary, depending upon the particular development system used. It is, therefore, necessary to state the development system and geometric conditions used in this determination. By holding the technique parameters (except exposure time) and processing parameters constant, the image quality response of radiographic film may be evaluated on a relative basis.

1.2 Alternately, this test method may be used for determination of the relative image quality response of a radiographic film system when exposed to 200-KV X-rays as any other single component of the system (such as screens) is varied.

1.3 *This standard does not purport to address all of the safety concerns, if any, associated with its use. It is the responsibility of the user of this standard to establish appropriate safety and health practices and determine the applicability of regulatory limitations prior to use.*

### 2. Referenced Documents

#### 2.1 ASTM Standards:

- B 152 Specification for Copper Sheet, Strip, Plate, and Rolled Bar<sup>2</sup>
- E 999 Guide for Controlling the Quality of Industrial Radiographic Film<sup>3</sup>
- E 1025 Practice for Design, Manufacture, and Material Grouping Classification of Hole-Type Image Quality Indicators IQI Used for Radiology<sup>3</sup>
- E 1079 Practice for Calibration of Transmission Densitometers<sup>3</sup>

<sup>1</sup> This test method is under the jurisdiction of ASTM Committee E07 on Nondestructive Testing and is the direct responsibility of Subcommittee E07.01 on Radiology (X and Gamma) Method.

Current edition approved January 10, 2002. Published March 2002. Originally published as E 746 – 80. Last previous edition E 746 – 93 (1998).

<sup>2</sup> *Annual Book of ASTM Standards*, Vol 02.01.

<sup>3</sup> *Annual Book of ASTM Standards*, Vol 03.03.

E 1316 Terminology for Nondestructive Examinations<sup>3</sup>  
E 1815 Test Method for Classification of Film Systems for Industrial Radiography<sup>3</sup>

#### 2.2 ANSI Standard<sup>4</sup>:

ANSI PH2.19 Photography Density Measurements-Part 2: Geometric Conditions for Transmission Density

#### 2.3 ISO Standards<sup>4</sup>:

ISO 5-2 Photography Density Measurements-Part 2: Geometric Conditions for Transmission Density

ISO 7004 Photography- Industrial Radiographic Film, Determination of ISO Speed and Average Gradient When Exposed to X and Gamma Radiation

### 3. Terminology

3.1 *Definitions*—For definitions of terms used in this test method, refer to Terminology E 1316.

### 4. Significance and Use

4.1 This test method provides a relative means for determining the image quality performance response for a given film chemistry system used for industrial radiography. It is only to be used for relative comparisons. It is not intended to qualify performance of a film chemistry system to detect specific discontinuities in a product or specimen undergoing X-ray examination.

4.2 Film chemistry image quality performance is described by EPS, Equivalent Penetrator Sensitivity. For a detailed description of EPS, see Practice E 1025.

4.3 It is not the intent of this standard to specify performance requirements of the film chemistry system. Test Method E 1815 can be used to specify performance requirements at 200 kV. This test method was used, and can be used to corroborate Test Method E 1815 results at 200 kV. This test method is a subjective means of determining film chemistry image quality performance, whereas Test Method E 1815 uses instrument measurements to calculate performance and is therefore an objective test method.

<sup>4</sup> Available from American National Standards Institute, 25 W. 43rd St., 4th Floor, New York, NY 10036.

4.4 This test method could be used to evaluate relative film chemistry system image quality performance at Net Density 4.0 where some instrument measurements are currently not feasible.

**5. Test Specimen**

5.1 The test specimen shall consist of a special image quality indicator (IQI) placed on the tube side of a 36-mm (1 3/8-in.) plastic plate for 30-kV, and a 19-mm (3/4 -in.) steel plate for 200-kV.

5.1.1 The special image quality indicator (IQI) shall be fabricated from Lucite plastic for 30-kV, and mild steel for 200-kV. The dimensions shall conform to Fig. 1. The IQI steps may be fabricated separately and taped together to form the penetrameter array as shown. The tape shall not cover any of the holes in the IQI.

5.1.2 The absorber plate shall be made of Lucite plastic for 30-kV, and mild steel for 200-kV. Both shall be at least 200 by 250 mm (8 by 10 in.) wide and long. The steel plate shall be 19 ± 0.12 mm (0.750 ± 0.005 in.) thick. Thickness of the plastic plate shall be 36 ± 0.12 mm (1 3/8 ± 0.005 in.). The surface

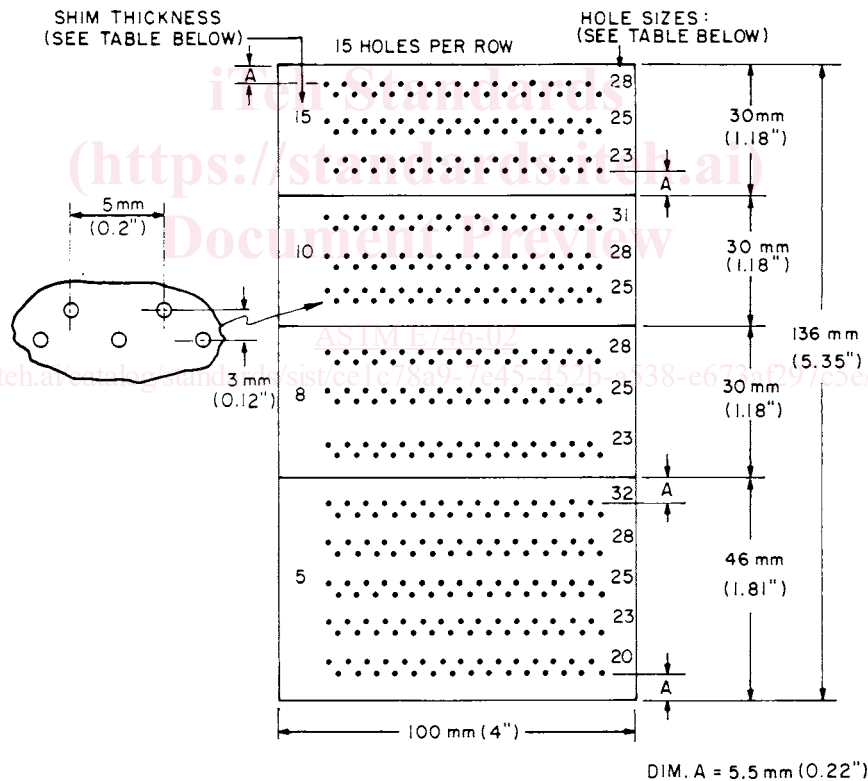
finish of both absorber plates shall be a maximum of 6.3 µm (250 µin.) R<sub>a</sub>, ground finish (both faces).

**6. Calibration of X-Ray Source**

6.1 Use a target to detector distance at least 750 mm (29.5 in.) for all exposures.

6.2 The voltage calibration of the X-ray source for 30-kV is based on ISO 7004 method for 100-kV calibration, modified for 30-kV. With a 7.62-mm (0.30-in.) aluminum filter at the X-ray tube port, adjust the kilovoltage until the half value layer in aluminum is 1.52 mm (0.06 in.). That is, the intensity of the X-ray beam with 9.14-mm (0.36-in.) aluminum at the tube port shall be one-half that with 7.62-mm (0.30-in.) aluminum at the tube port. Exposures shall be made using the voltage thus determined and with 7.62 mm (0.30 in.) of aluminum at the tube port. No lead screen shall be used.

6.3 The voltage calibration of the X-ray source for 200-kV is based on ISO 7004. With an 8-mm (0.32-in.) copper filter at the X-ray tube adjust the kilovoltage until the half value layer in copper is 3.5 mm (0.14 in.) (see Specification B 152). Make



Step Identification	Shim Thickness, mm (in.)	Hole Identification	Hole Size, mm (in.)
15	0.38 ± 0.012 (0.015 ± 0.0005)	32	0.81 ± 0.025 (0.032 ± 0.001)
10	0.25 ± 0.012 (0.010 ± 0.0005)	31	0.79 ± 0.025 (0.031 ± 0.001)
8	0.20 ± 0.012 (0.008 ± 0.0005)	28	0.71 ± 0.025 (0.028 ± 0.001)
5	0.13 ± 0.012 (0.005 ± 0.0005)	25	0.64 ± 0.025 (0.025 ± 0.001)
		23	0.58 ± 0.025 (0.023 ± 0.001)
		20	0.50 ± 0.025 (0.020 ± 0.001)

Hole Spacing (horizontal): 5 ± 0.1 mm (0.2 ± 0.004 in.) Nonaccumulative  
 Row Spacing: 3 ± 0.1 mm (0.2 ± 0.004 in.)  
 Spacing between hole sets: 5 ± 0.1 mm (0.2 ± 0.004 in.)  
 All other dimensions shall be in accordance with standard engineering practice.

**FIG. 1 Image Quality Indicator**

a reading of the detector with 8 mm (0.32 in.) of copper at the tube, and then, make a second reading with a total of 11.5 mm (0.45 in.) at the tube.

6.4 For both 200-kV and 30-kV X-ray beam calibration methods. Calculate the ratio of the two readings. If this ratio is not 2, adjust the kilovoltage up or down and repeat the measurement until a ratio of 2 (within 5 %) is obtained. Record the machine settings and use for the film tests. During tests, remove all of the filters for both 200-kV and 30-kV methods.

**7. Density Measurements**

7.1 Measure the visual diffuse transmission density of the processed films with a densitometer complying with the requirements of ANSI PH2.19 and ISO 5-2 and calibrated by the method of Practice E 1079. Use a minimum aperture of 7 mm (0.275 in.).

**8. Film Holder and Screens**

8.1 Enclose a single film in a cassette with low absorption. When using the 30-kV method, and after the X-ray beam has been calibrated for 30-kV, a film holder absorption factor shall be determined. With the 7.62-mm (0.3-in.) aluminum filter at the X-ray tube make an exposure with film in the film holder. Films exposed to X-ray without a holder will need to be handled in lighting conditions that are appropriate (safe light). Determine an exposure that produces  $2.00 \pm 15\%$  film density on the film exposed in the film holder. Use the densitometer in accordance with Section 6. Use the same exposure on the film exposed outside the film holder. Subtract the film density from the film exposed in a holder from the film density of the film exposed outside the film holder. The difference shall not exceed 2%. *The cassette shall provide a means for ensuring good film-screen contact.*

8.2 For the 200-kV method. Place the film between lead-foil screens, the front screen being  $0.130 \pm 0.013$  mm (0.005

$\pm 0.0005$  in.) thick and the back screen  $0.250 \pm 0.025$  mm (0.010  $\pm$  0.001 in.) thick.

NOTE 1—These thicknesses reflect commercially available tolerances in lead foil for use as radiographic screens.

8.3 When the component to be evaluated is a screen or screen system, other than lead screen as specified in 8.2, place the film in the proper position with the screen or screen system.

8.4 Use a  $6.3 \pm 0.8$  mm ( $\frac{1}{4} \pm \frac{1}{32}$  in.) thick lead “backup” behind the cassette. The backup lead shall extend at least 25 mm (1 in.) beyond each edge of the cassette.

**9. Procedure**

9.1 The source to film distance is based upon achieving a geometrical unsharpness ( $U_g$ ) of 0.05 mm (0.002 in.) or less on a 36 mm ( $1\frac{3}{8}$  in.) thick plastic plate for 30-kV and a 19 mm ( $\frac{3}{4}$  in.) thick absorber plate for 200-kV. Calculate the minimum source to film distance,  $D$ , in millimetres, as follows:

$$D = 381 \phi$$

where:

$D$  = source to film distance, mm, and

$\phi$  = focal spot size, mm.

The distance shall be not less than 1 m (39.4 in.).

9.2 See the physical set up as shown in Fig. 2. Position the X-ray tube directly over the center of the test specimen and film. The plane of the film and test specimen must be normal to the central ray of the X-ray beam. Use a diaphragm at the tube to limit the field of radiation to the film area.

9.3 Exposure:

9.3.1 Expose the film at the kV setting as determined in Section 6. Remove all filters at the tube before the exposure. Adjust the exposure time to give a film density of  $2.00 \pm 15\%$

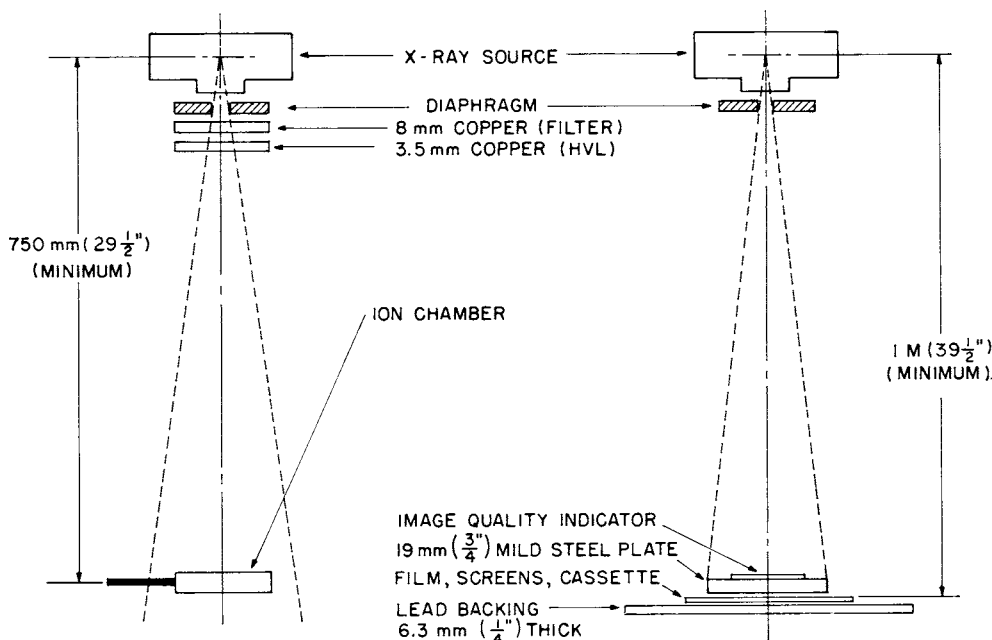


FIG. 2 Setup for Energy Calibration and Exposures