



**SLOVENSKI STANDARD**  
**oSIST prEN ISO 7622-2:2022**  
**01-april-2022**

---

**Naprave za kontinuirni transport - Trakovi tračnih transporterjev z jeklenim vložkom - Vz dolžni natezni preskus - 2. del: Merjenje natezne trdnosti (ISO/FDIS 7622-2:2022)**

Steel cord conveyor belts - Longitudinal traction test - Part 2: Measurement of tensile strength (ISO/FDIS 7622-2:2022)

**iTeh STANDARD  
PREVIEW**

Courroies transporteuses à câbles d'acier - Essai de traction dans le sens longitudinal - Partie 2: Mesurage de la résistance à la rupture (ISO/FDIS 7622-2:2022)

**Ta slovenski standard je istoveten z: [oSIST prEN ISO 7622-2:2022](https://standards.iteh.ai/catalog/standards/sist/6d727543-26ab-4180-9c36-1a989e7b4f33/osist-pren-iso-7622-2-2022) prEN ISO 7622-2**

**ICS:**

53.040.20      Deli za transporterje      Components for conveyors

**oSIST prEN ISO 7622-2:2022**      **en,fr,de**

**iTeh STANDARD  
PREVIEW  
(standards.iteh.ai)**

[oSIST prEN ISO 7622-2:2022](https://standards.iteh.ai/catalog/standards/sist/6d727543-26ab-4180-9c36-1a989e7b4f33/osist-pren-iso-7622-2-2022)

<https://standards.iteh.ai/catalog/standards/sist/6d727543-26ab-4180-9c36-1a989e7b4f33/osist-pren-iso-7622-2-2022>

FINAL  
DRAFTINTERNATIONAL  
STANDARDISO/FDIS  
7622-2

ISO/TC 41/SC 3

Secretariat: SAC

Voting begins on:  
2022-02-18Voting terminates on:  
2022-05-13**Steel cord conveyor belts —  
Longitudinal traction test —****Part 2:  
Measurement of tensile strength***Courroies transporteuses à câbles d'acier — Essai de traction dans le  
sens longitudinal —**Partie 2: Mesurage de la résistance à la rupture***(standards.iteh.ai)**[oSIST prEN ISO 7622-2:2022](https://standards.iteh.ai/catalog/standards/sist/6d727543-26ab-4180-9c36-1a989e7b4f33/osist-pren-iso-7622-2-2022)[https://standards.iteh.ai/catalog/standards/sist/6d727543-  
26ab-4180-9c36-1a989e7b4f33/osist-pren-iso-7622-2-  
2022](https://standards.iteh.ai/catalog/standards/sist/6d727543-26ab-4180-9c36-1a989e7b4f33/osist-pren-iso-7622-2-2022)**IMPORTANT — Please use this updated version dated 2022-02-09, and  
discard any previous version of this FDIS (VA minor revision: 12 weeks).****ISO/CEN PARALLEL PROCESSING**

RECIPIENTS OF THIS DRAFT ARE INVITED TO SUBMIT, WITH THEIR COMMENTS, NOTIFICATION OF ANY RELEVANT PATENT RIGHTS OF WHICH THEY ARE AWARE AND TO PROVIDE SUPPORTING DOCUMENTATION.

IN ADDITION TO THEIR EVALUATION AS BEING ACCEPTABLE FOR INDUSTRIAL, TECHNOLOGICAL, COMMERCIAL AND USER PURPOSES, DRAFT INTERNATIONAL STANDARDS MAY ON OCCASION HAVE TO BE CONSIDERED IN THE LIGHT OF THEIR POTENTIAL TO BECOME STANDARDS TO WHICH REFERENCE MAY BE MADE IN NATIONAL REGULATIONS.

Reference number  
ISO/FDIS 7622-2:2022(E)

© ISO 2022

**iTeh STANDARD  
PREVIEW  
(standards.iteh.ai)**

[oSIST prEN ISO 7622-2:2022](https://standards.iteh.ai/catalog/standards/sist/6d727543-26ab-4180-9c36-1a989e7b4f33/osist-pren-iso-7622-2-2022)  
<https://standards.iteh.ai/catalog/standards/sist/6d727543-26ab-4180-9c36-1a989e7b4f33/osist-pren-iso-7622-2-2022>



**COPYRIGHT PROTECTED DOCUMENT**

© ISO 2022

All rights reserved. Unless otherwise specified, or required in the context of its implementation, no part of this publication may be reproduced or utilized otherwise in any form or by any means, electronic or mechanical, including photocopying, or posting on the internet or an intranet, without prior written permission. Permission can be requested from either ISO at the address below or ISO's member body in the country of the requester.

ISO copyright office  
CP 401 • Ch. de Blandonnet 8  
CH-1214 Vernier, Geneva  
Phone: +41 22 749 01 11  
Email: [copyright@iso.org](mailto:copyright@iso.org)  
Website: [www.iso.org](http://www.iso.org)

Published in Switzerland

# Contents

	Page
Foreword.....	iv
Introduction.....	v
<b>1 Scope.....</b>	<b>1</b>
<b>2 Normative references.....</b>	<b>1</b>
<b>3 Terms and definitions.....</b>	<b>1</b>
<b>4 Principle.....</b>	<b>1</b>
<b>5 Apparatus.....</b>	<b>1</b>
<b>6 Test specimens.....</b>	<b>2</b>
6.1 General.....	2
6.2 Test specimen, type A.....	3
6.3 Test specimen, type B.....	3
6.4 Test specimen, type C.....	4
<b>7 Conditioning of test specimens.....</b>	<b>4</b>
<b>8 Procedure.....</b>	<b>4</b>
<b>9 Expression of results.....</b>	<b>5</b>
<b>10 Test report.....</b>	<b>5</b>
<b>Bibliography.....</b>	<b>6</b>

**iTeh STANDARD  
PREVIEW  
(standards.iteh.ai)**

[oSIST prEN ISO 7622-2:2022](https://standards.iteh.ai/catalog/standards/sist/6d727543-26ab-4180-9c36-1a989e7b4f33/osist-pren-iso-7622-2-2022)  
<https://standards.iteh.ai/catalog/standards/sist/6d727543-26ab-4180-9c36-1a989e7b4f33/osist-pren-iso-7622-2-2022>

## ISO/FDIS 7622-2:2022(E)

### Foreword

ISO (the International Organization for Standardization) is a worldwide federation of national standards bodies (ISO member bodies). The work of preparing International Standards is normally carried out through ISO technical committees. Each member body interested in a subject for which a technical committee has been established has the right to be represented on that committee. International organizations, governmental and non-governmental, in liaison with ISO, also take part in the work. ISO collaborates closely with the International Electrotechnical Commission (IEC) on all matters of electrotechnical standardization.

The procedures used to develop this document and those intended for its further maintenance are described in the ISO/IEC Directives, Part 1. In particular, the different approval criteria needed for the different types of ISO documents should be noted. This document was drafted in accordance with the editorial rules of the ISO/IEC Directives, Part 2 (see [www.iso.org/directives](http://www.iso.org/directives)).

Attention is drawn to the possibility that some of the elements of this document may be the subject of patent rights. ISO shall not be held responsible for identifying any or all such patent rights. Details of any patent rights identified during the development of the document will be in the Introduction and/or on the ISO list of patent declarations received (see [www.iso.org/patents](http://www.iso.org/patents)).

Any trade name used in this document is information given for the convenience of users and does not constitute an endorsement.

For an explanation of the voluntary nature of standards, the meaning of ISO specific terms and expressions related to conformity assessment, as well as information about ISO's adherence to the World Trade Organization (WTO) principles in the Technical Barriers to Trade (TBT), see [www.iso.org/iso/foreword.html](http://www.iso.org/iso/foreword.html).

This document was prepared by Technical Committee ISO/TC 41, *Pulleys and belts (including veebelts)*, Subcommittee SC 3, *Conveyor belts*, in collaboration with the European Committee for Standardization (CEN) Technical Committee CEN/TC 188, *Conveyor belts*, in accordance with the Agreement on technical cooperation between ISO and CEN (Vienna Agreement).

This third edition cancels and replaces the second edition (ISO 7622-2:2015), of which it constitutes a minor revision.

The changes are as follows:

- editorial changes.

A list of all parts in the ISO 7622 series can be found on the ISO website.

Any feedback or questions on this document should be directed to the user's national standards body. A complete listing of these bodies can be found at [www.iso.org/members.html](http://www.iso.org/members.html).

## Introduction

This test method is intended to verify, by destructive testing, the tensile strength of steel cords constituting the carcass of conveyor belts. As it is a destructive test, it is used only in the event of litigation or where no certificate of compliance is issued by the cord manufacturer.

# iTeh STANDARD PREVIEW (standards.iteh.ai)

[oSIST prEN ISO 7622-2:2022](https://standards.iteh.ai/catalog/standards/sist/6d727543-26ab-4180-9c36-1a989e7b4f33/osist-pren-iso-7622-2-2022)  
<https://standards.iteh.ai/catalog/standards/sist/6d727543-26ab-4180-9c36-1a989e7b4f33/osist-pren-iso-7622-2-2022>

**iTeh STANDARD  
PREVIEW  
(standards.iteh.ai)**

[oSIST prEN ISO 7622-2:2022](https://standards.iteh.ai/catalog/standards/sist/6d727543-26ab-4180-9c36-1a989e7b4f33/osist-pren-iso-7622-2-2022)

<https://standards.iteh.ai/catalog/standards/sist/6d727543-26ab-4180-9c36-1a989e7b4f33/osist-pren-iso-7622-2-2022>



# Steel cord conveyor belts — Longitudinal traction test —

## Part 2: Measurement of tensile strength

### 1 Scope

This document specifies a method for the determination of the tensile strength, in the longitudinal, of steel cords constituting the carcass of conveyor belts.

It applies exclusively to conveyor belts with a steel carcass.

NOTE A method for the determination of elongation is specified in ISO 7622-1.

### 2 Normative references

The following documents are referred to in the text in such a way that some or all of their content constitutes requirements of this document. For dated references, only the edition cited applies. For undated references, the latest edition of the referenced document (including any amendments) applies.

ISO 18573, *Conveyor belts — Test atmospheres and conditioning periods*

### 3 Terms and definitions

No terms and definitions are listed in this document.

ISO and IEC maintain terminology databases for use in standardization at the following addresses:

- ISO Online browsing platform: available at <https://www.iso.org/obp>
- IEC Electropedia: available at <https://www.electropedia.org/>

### 4 Principle

The traction test for breaking a test specimen is prepared in such a way that only one of the warp cords is under stress.

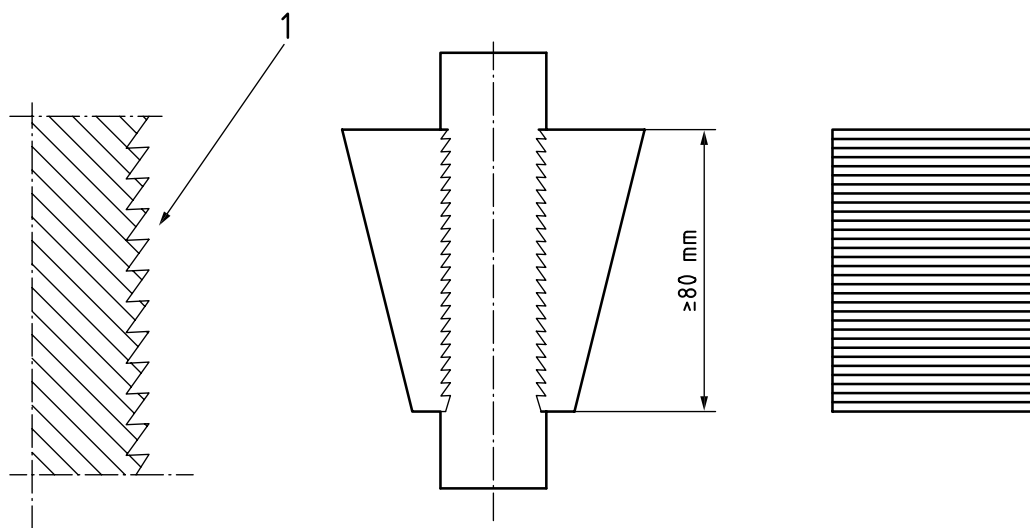
### 5 Apparatus

**Dynamometric tensile testing machine**, complying with the following requirements.

- a) The force exerted by the machine shall be adaptable to the strength of the test specimen. The testing machine capacity shall be such that the maximum testing load is 15 % to 85 % of the capacity of the machine.
- b) The rate of separation of the jaws shall be capable of being set at  $(100 \pm 10)$  mm/min and shall be capable of being maintained constant.
- c) The separation between the jaws shall be capable of being set at least 250 mm.
- d) The form of the jaws shall be such that the test specimen is held perfectly and all possibility of slipping during the test is eliminated. For this purpose, cross-ribbed jaws (see [Figure 1](#)), with the

## ISO/FDIS 7622-2:2022(E)

length of the ribbed part at least 80 mm, are recommended. A small amount of slippage is allowed for rubber elongation.



## Key

1 detail of ribbing

**iTeh STANDARD**  
**Figure 1 — Jaws**  
**PREVIEW**  
**(standards.iteh.ai)**

## 6 Test specimens

### 6.1 General

Cut three test specimens of the following dimensions: <https://standards.iteh.ai/catalog/standards/sist/6d727543-26ab-4180-9c36-1a989e7b4f33/osist-pr-en-iso-7622-2-2022>

a) Length (in the longitudinal direction of the belt): length shall be given as in [Table 1](#).

**Table 1 — Cord diameter and length**

Dimensions in millimetres

Cord diameter	Length
∅0 to ∅3,9	500
∅4,0 to ∅5,9	700
∅6,0 to ∅8,4	900
∅8,5 to ∅10,4	1 200
∅10,5 to ∅13,0	1 400
∅13,1 to ∅15,0	1 500

- b) Width: such that the test specimen contains five warp cords.
- c) Thickness: that of the belt, including both covers (the ends may be buffed so that they are held more securely in the jaws). If the belt is too thick to be gripped in the jaws, some part of the cover can be cut off.
- d) Test specimens shall be cut parallel to the axis of the belt and at least 50 mm from the belt edge.
- e) Three types of test specimen (A, B, and C) may be used.