



SLOVENSKI STANDARD
SIST EN IEC 62841-2-12:2024

01-oktober-2024

Elektromotorna ročna orodja, prenosna orodja ter stroji za trato in vrt - Varnost - 2-12. del: Posebne zahteve za ročne vibratorje betona (IEC 62841-2-12:2024)

Electric motor-operated hand-held tools, transportable tools and lawn and garden machinery - Safety - Part 2-12: Particular requirements for hand-held concrete vibrators (IEC 62841-2-12:2024 (EQV))

Elektrische motorbetriebene handgeführte Werkzeuge, transportable Werkzeuge und Rasen- und Gartenmaschinen – Sicherheit – Teil 2-12: Besondere Anforderungen für handgeführte Innenrüttler (IEC 62841-2-12:2024)

Outils électroportatifs à moteur, outils portables et machines pour jardins et pelouses - Sécurité - Partie 2-12: Exigences particulières pour les vibrateurs à béton portatifs (IEC 62841-2-12:2024)

[SIST EN IEC 62841-2-12:2024](https://standards.iteh.ai/SIST/EN/IEC/62841-2-12:2024)

<https://standards.iteh.ai/catalog/standards/sist/432244f1-a207-4eaf-9020-83ce1154d3a7/sist-en-iec-62841-2-12-2024>

Ta slovenski standard je istoveten z: EN IEC 62841-2-12:2024

ICS:

25.140.20	Električna orodja	Electric tools
25.140.30	Orodja za ročno uporabo	Hand-operated tools

SIST EN IEC 62841-2-12:2024 en

EUROPEAN STANDARD

EN IEC 62841-2-12

NORME EUROPÉENNE

EUROPÄISCHE NORM

August 2024

ICS 25.140.20

English Version

Electric motor-operated hand-held tools, transportable tools and
lawn and garden machinery - Safety - Part 2-12: Particular
requirements for hand-held concrete vibrators
(IEC 62841-2-12:2024)

Outils électroportatifs à moteur, outils portables et machines
pour jardins et pelouses - Sécurité - Partie 2-12 : Exigences
particulières pour les vibrateurs à béton portatifs.
(IEC 62841-2-12:2024)

Elektrische motorbetriebene handgeführte Werkzeuge,
transportable Werkzeuge und Rasen- und
Gartenmaschinen - Sicherheit - Teil 2-12: Besondere
Anforderungen für handgeführte Innenrüttler
(IEC 62841-2-12:2024)

This European Standard was approved by CENELEC on 2024-08-05. CENELEC members are bound to comply with the CEN/CENELEC Internal Regulations which stipulate the conditions for giving this European Standard the status of a national standard without any alteration.

Up-to-date lists and bibliographical references concerning such national standards may be obtained on application to the CEN-CENELEC Management Centre or to any CENELEC member.

This European Standard exists in three official versions (English, French, German). A version in any other language made by translation under the responsibility of a CENELEC member into its own language and notified to the CEN-CENELEC Management Centre has the same status as the official versions.

CENELEC members are the national electrotechnical committees of Austria, Belgium, Bulgaria, Croatia, Cyprus, the Czech Republic, Denmark, Estonia, Finland, France, Germany, Greece, Hungary, Iceland, Ireland, Italy, Latvia, Lithuania, Luxembourg, Malta, the Netherlands, Norway, Poland, Portugal, Republic of North Macedonia, Romania, Serbia, Slovakia, Slovenia, Spain, Sweden, Switzerland, Türkiye and the United Kingdom.



European Committee for Electrotechnical Standardization
Comité Européen de Normalisation Electrotechnique
Europäisches Komitee für Elektrotechnische Normung

CEN-CENELEC Management Centre: Rue de la Science 23, B-1040 Brussels

EN IEC 62841-2-12:2024 (E)

European foreword

The text of document 116/692/FDIS, future edition 1 of IEC 62841-2-12, prepared by IEC/TC 116 "Safety of motor-operated electric tools" was submitted to the IEC-CENELEC parallel vote and approved by CENELEC as EN IEC 62841-2-12:2024.

The following dates are fixed:

- latest date by which the document has to be implemented at national (dop) 2025-08-05 level by publication of an identical national standard or by endorsement
- latest date by which the national standards conflicting with the (dow) 2028-08-05 document have to be withdrawn

Attention is drawn to the possibility that some of the elements of this document may be the subject of patent rights. CENELEC shall not be held responsible for identifying any or all such patent rights.

This document has been prepared under a standardization request addressed to CENELEC by the European Commission. The Standing Committee of the EFTA States subsequently approves these requests for its Member States.

For the relationship with EU Legislation, see informative Annex ZZ, which is an integral part of EN IEC 62841-2-12:2024/A11:2024.

Any feedback and questions on this document should be directed to the users' national committee. A complete listing of these bodies can be found on the CENELEC website.

Endorsement notice

SIST EN IEC 62841-2-12:2024

The text of the International Standard IEC 62841-2-12:2024 was approved by CENELEC as a European Standard without any modification.



IEC 62841-2-12

Edition 1.0 2024-02

INTERNATIONAL STANDARD

NORME INTERNATIONALE

**Electric motor-operated hand-held tools, transportable tools and lawn and garden machinery – Safety –
Part 2-12: Particular requirements for hand-held concrete vibrators**

**Outils électroportatifs à moteur, outils portables et machines pour jardins et pelouses – Sécurité –
Partie 2-12 : Exigences particulières pour les vibreurs à béton portatifs**

<https://standards.iteh.ai/catalog/standards/sist/432244f1-a207-4eaf-9020-83ce1154d3a7/sist-en-iec-62841-2-12-2024>

INTERNATIONAL
ELECTROTECHNICAL
COMMISSION

COMMISSION
ELECTROTECHNIQUE
INTERNATIONALE

ICS 25.140.20

ISBN 978-2-8322-8138-3

**Warning! Make sure that you obtained this publication from an authorized distributor.
Attention! Veuillez vous assurer que vous avez obtenu cette publication via un distributeur agréé.**

CONTENTS

FOREWORD	3
1 Scope	5
2 Normative references	5
3 Terms and definitions	5
4 General requirements	6
5 General conditions for the tests	7
6 Radiation, toxicity and similar hazards	7
7 Classification	7
8 Marking and instructions	7
9 Protection against access to live parts	7
10 Starting	8
11 Input and current	8
12 Heating	8
13 Resistance to heat and fire	8
14 Moisture resistance	9
15 Resistance to rusting	9
16 Overload protection of transformers and associated circuits	9
17 Endurance	9
18 Abnormal operation	10
19 Mechanical hazards	10
20 Mechanical strength	11
21 Construction	11
22 Internal wiring	12
23 Components	12
24 Supply connection and external flexible cords	12
25 Terminals for external conductors	12
26 Provision for earthing	13
27 Screws and connections	13
28 Creepage distances, clearances and distances through insulation	13
Annexes	14
Annex I (informative) Measurement of noise and vibration emissions	14
Annex K (normative) Battery tools and battery packs	16
Annex L (normative) Battery tools and battery packs provided with mains connection or non-isolated sources	18
Bibliography	19
Figure 101 – Typical design a) of a concrete vibrator	6
Figure 102 – Typical design b) of a concrete vibrator	6
Table 4 – Required performance levels	10

INTERNATIONAL ELECTROTECHNICAL COMMISSION

ELECTRIC MOTOR-OPERATED HAND-HELD TOOLS, TRANSPORTABLE TOOLS AND LAWN AND GARDEN MACHINERY – SAFETY –

Part 2-12: Particular requirements for hand-held concrete vibrators

FOREWORD

- 1) The International Electrotechnical Commission (IEC) is a worldwide organization for standardization comprising all national electrotechnical committees (IEC National Committees). The object of IEC is to promote international co-operation on all questions concerning standardization in the electrical and electronic fields. To this end and in addition to other activities, IEC publishes International Standards, Technical Specifications, Technical Reports, Publicly Available Specifications (PAS) and Guides (hereafter referred to as “IEC Publication(s)”). Their preparation is entrusted to technical committees; any IEC National Committee interested in the subject dealt with may participate in this preparatory work. International, governmental and non-governmental organizations liaising with the IEC also participate in this preparation. IEC collaborates closely with the International Organization for Standardization (ISO) in accordance with conditions determined by agreement between the two organizations.
- 2) The formal decisions or agreements of IEC on technical matters express, as nearly as possible, an international consensus of opinion on the relevant subjects since each technical committee has representation from all interested IEC National Committees.
- 3) IEC Publications have the form of recommendations for international use and are accepted by IEC National Committees in that sense. While all reasonable efforts are made to ensure that the technical content of IEC Publications is accurate, IEC cannot be held responsible for the way in which they are used or for any misinterpretation by any end user.
- 4) In order to promote international uniformity, IEC National Committees undertake to apply IEC Publications transparently to the maximum extent possible in their national and regional publications. Any divergence between any IEC Publication and the corresponding national or regional publication shall be clearly indicated in the latter.
- 5) IEC itself does not provide any attestation of conformity. Independent certification bodies provide conformity assessment services and, in some areas, access to IEC marks of conformity. IEC is not responsible for any services carried out by independent certification bodies.
- 6) All users should ensure that they have the latest edition of this publication.
- 7) No liability shall attach to IEC or its directors, employees, servants or agents including individual experts and members of its technical committees and IEC National Committees for any personal injury, property damage or other damage of any nature whatsoever, whether direct or indirect, or for costs (including legal fees) and expenses arising out of the publication, use of, or reliance upon, this IEC Publication or any other IEC Publications.
- 8) Attention is drawn to the Normative references cited in this publication. Use of the referenced publications is indispensable for the correct application of this publication.
- 9) IEC draws attention to the possibility that the implementation of this document may involve the use of (a) patent(s). IEC takes no position concerning the evidence, validity or applicability of any claimed patent rights in respect thereof. As of the date of publication of this document, IEC had not received notice of (a) patent(s), which may be required to implement this document. However, implementers are cautioned that this may not represent the latest information, which may be obtained from the patent database available at <https://patents.iec.ch>. IEC shall not be held responsible for identifying any or all such patent rights.

IEC 62841-2-12 has been prepared by IEC technical committee 116: Safety of motor-operated electric tools. It is an International Standard.

The text of this International Standard is based on the following documents:

Draft	Report on voting
116/692/FDIS	116/733/RVD

Full information on the voting for its approval can be found in the report on voting indicated in the above table.

The language used for the development of this International Standard is English.

This document is to be used in conjunction with IEC 62841-1:2014.

This document supplements or modifies the corresponding clauses in IEC 62841-1, so as to convert it into the IEC Standard: Particular requirements for hand-held concrete vibrators.

Where a particular subclause of IEC 62841-1 is not mentioned in this document, that subclause applies as far as reasonable. Where this document states "addition", "modification" or "replacement", the relevant text in IEC 62841-1 is to be adapted accordingly.

The following print types are used:

- requirements: in roman type;
- *test specifications: in italic type;*
- **terms defined in Clause 3: in bold type;**
- notes: in small roman type.

Subclauses, notes, tables and figures which are additional to those in IEC 62841-1 are numbered starting from 101.

Subclauses, notes, tables and figures in Annex K and Annex L which are additional to those in the main body of this document are numbered starting from 301.

A list of all parts in the IEC 62841 series, published under the general title *Electric motor-operated hand-held tools, transportable tools and lawn and garden machinery – Safety*, can be found on the IEC website.

This document was drafted in accordance with ISO/IEC Directives, Part 2, and developed in accordance with ISO/IEC Directives, Part 1 and ISO/IEC Directives, IEC Supplement, available at www.iec.ch/members_experts/refdocs. The main document types developed by IEC are described in greater detail at www.iec.ch/standardsdev/publications.

The committee has decided that the contents of this document will remain unchanged until the stability date indicated on the IEC website under webstore.iec.ch in the data related to the specific document. At this date, the document will be

- reconfirmed,
- withdrawn, or
- revised.

NOTE The attention of National Committees is drawn to the fact that equipment manufacturers and testing organizations may need a transitional period following publication of a new, amended or revised IEC publication in which to make products in accordance with the new requirements and to equip themselves for conducting new or revised tests.

It is the recommendation of the committee that the content of this publication be adopted for implementation nationally not earlier than 36 months from the date of publication.

ELECTRIC MOTOR-OPERATED HAND-HELD TOOLS, TRANSPORTABLE TOOLS AND LAWN AND GARDEN MACHINERY – SAFETY –

Part 2-12: Particular requirements for hand-held concrete vibrators

1 Scope

IEC 62841-1:2014, Clause 1 is applicable, except as follows.

Addition:

This document applies to hand-held **concrete vibrators**.

2 Normative references

IEC 62841-1:2014, Clause 2 is applicable, except as follows.

Addition:

IEC 62841-1:2014, *Electric motor-operated hand-held tools, transportable tools and lawn and garden machinery – Safety – Part 1: General requirements*

3 Terms and definitions

IEC 62841-1:2014, Clause 3 is applicable, except as follows.

Addition:

3.101

concrete vibrator

hand-held tool intended for compacting concrete with an active part (vibrator bottle) that performs low-amplitude vibrations into the mass of concrete to be vibrated

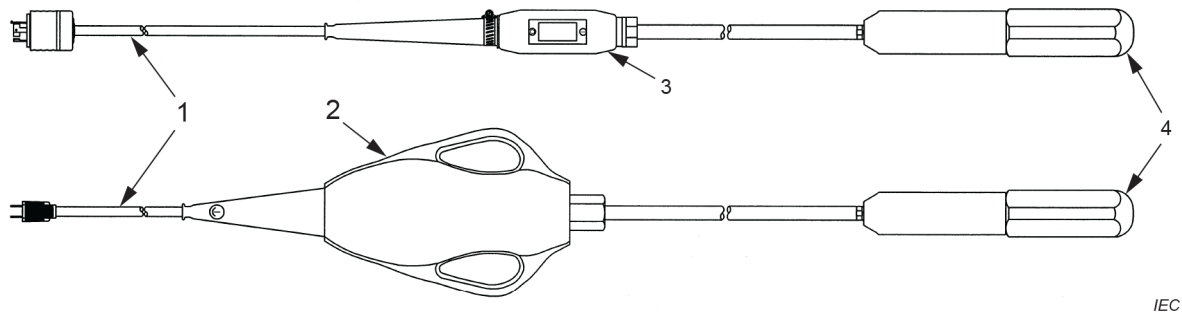
Note 101 to entry: **Concrete vibrators** are typically of one of the following designs:

- a) The motor and the vibrating mechanism are inside the vibrator bottle to which the part containing the **power switch** or a power converter and switch handle assembly is connected by means of a long flexible hose containing the **interconnection cord**. The long flexible hose can be used as the handle (see Figure 101).
- b) Only the vibrator mechanism is inside the vibrator bottle to which a separate portable unit, comprising the motor, the handle and the **power switch**, is connected by means of a long flexible hose containing a flexible shaft (see Figure 102).

3.102

normal load

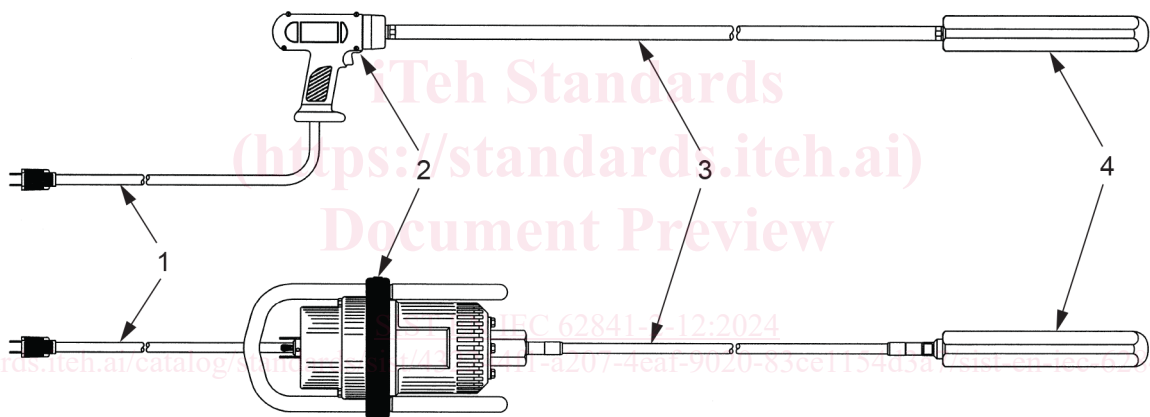
load obtained when the tool is operated continuously, the hose and vibrator bottle being attached to the tool as for **normal use**



IEC

Key

- 1 **supply cord**
- 2 **power converter and power switch with handle**
- 3 **part containing the power switch**
- 4 **vibrator bottle with motor**

Figure 101 – Typical design a) of a concrete vibrator

IEC

Key

- 1 **supply cord**
- 2 **motor unit with power switch**
- 3 **flexible shaft**
- 4 **vibrator bottle**

Figure 102 – Typical design b) of a concrete vibrator**4 General requirements**

IEC 62841-1:2014, Clause 4 is applicable.