



Designation: D7217 – 05 (Reapproved 2010)^{ε1}

Standard Test Method for Determining Extreme Pressure Properties of Solid Bonded Films Using a High-Frequency, Linear-Oscillation (SRV) Test Machine¹

This standard is issued under the fixed designation D7217; the number immediately following the designation indicates the year of original adoption or, in the case of revision, the year of last revision. A number in parentheses indicates the year of last reapproval. A superscript epsilon (ϵ) indicates an editorial change since the last revision or reapproval.

^{ε1} NOTE—Updated Section 7 to include HRC editorially in October 2010.

1. Scope

1.1 This test method covers a procedure for determining extreme pressure properties of solid bonded films under high-frequency linear-oscillation motion using the SRV test machine.

1.2 The values stated in SI units are to be regarded as standard. No other units of measurement are included in this standard.

1.3 *This standard does not purport to address all of the safety concerns, if any, associated with its use. It is the responsibility of the user of this standard to establish appropriate safety and health practices and determine the applicability of regulatory limitations prior to use.*

2. Referenced Documents

2.1 ASTM Standards:²

A295/A295M Specification for High-Carbon Anti-Friction Bearing Steel

D2510 Test Method for Adhesion of Solid Film Lubricants

D4175 Terminology Relating to Petroleum, Petroleum Products, and Lubricants

E45 Test Methods for Determining the Inclusion Content of Steel

G40 Terminology Relating to Wear and Erosion

2.2 Other Standards:

DIN EN ISO 683-17 Heat-treated Steels, Alloy Steels and Free-Cutting Steels—Part 17: Ball and Roller Bearing Steels³

¹ This test method is under the jurisdiction of ASTM Committee D02 on Petroleum Products and Lubricants and is the direct responsibility of Subcommittee D02.L0.05 on Solid Lubricants.

Current edition approved Oct. 1, 2010. Published December 2010. Originally approved in 2005. Last previous edition approved in 2005 as D7217-05. DOI: 10.1520/D7217-10.

² For referenced ASTM standards, visit the ASTM website, www.astm.org, or contact ASTM Customer Service at service@astm.org. For *Annual Book of ASTM Standards* volume information, refer to the standard's Document Summary page on the ASTM website.

³ Available from Beuth Verlag GmbH, Burggrafenstrasse 6, D-10787 Berlin, Germany.

DIN EN ISO 13565-2:1998 Geometrical Product Specifications (GPS)—Surface Texture: Profile Method; Surfaces Having Stratified Functional Properties—Part 2: Height Characterization Using Linear Material Ratio Curve [Replacement of DIN 4776:1990: Measurement of Surface Roughness; Parameters R_K , R_{PK} , R_{VK} , M_{r1} , M_{r2} for the Description of the Material Portion]³

SAE AS5272 Lubricant, Solid Film, Heat Cured, Corrosion Inhibiting Procurement Specification⁴

AMS 2562B⁵

3. Terminology

3.1 Definitions:

3.1.1 *break-in, n—in tribology*, an initial transition process occurring in newly established wearing contacts, often accompanied by transients in coefficient of friction or wear rate, or both, which are uncharacteristic of the given tribological system's long-term behavior. **G40**

3.1.2 *coefficient of friction, μ or f , n—in tribology*, the dimensionless ratio of the friction force (F) between two bodies to the normal force (N) pressing these bodies together. **G40**

3.1.3 *Hertzian contact area, n*—the apparent area of contact between two nonconforming solid bodies pressed against each other, as calculated from Hertz's equations of elastic deformation. **G40**

3.1.4 *Hertzian contact pressure, n*—the magnitude of the pressure at any specified location in a Hertzian contact area, as calculated from Hertz's equations of elastic deformation. **G40**

3.1.5 *lubricant, n*—any material interposed between two surfaces that reduces the friction or wear, or both between them. **D4175**

3.1.6 *solid bonded film (sbf), n*—consists of physically dried or chemically hardened (cured) bonded solid films as well as of inorganic matrices containing embedded organic or inorganic,

⁴ Available from Society of Automotive Engineers (SAE), 400 Commonwealth Dr., Warrendale, PA 15096-0001.

⁵ Aerospace Material Specifications.

or both, solid lubricants with or without lattice layers or soft metals or combinations of these. Synonyms—*solid film lubricants* (Test Method **D2510**), *bonded solid film lubricant* (SAE AS5272), and *thin lubricating film* (**AMS 2562B**).

3.1.6.1 *Discussion*—Dry solid film lubricants are dry coatings consisting of lubricating powders in a solid matrix bonded to one or both surfaces to be lubricated. **D2510**

3.1.7 *Ra (C.L.A.), n—in measuring surface finish*, the arithmetic average of the absolute distances of all profile points from the mean line for a given distance.⁶

3.1.8 *Rz (DIN), n—in measuring surface finish*, the average of all Ry values (peak to valley heights) in the assessment length.⁷

3.1.9 *Rpk, n—reduced peak height according to DIN EN ISO 13565-2:1998*. Rpk is the mean height of the peak sticking out above the core profile section.

3.1.10 *Rvk, n—reduced valley height according to DIN EN ISO 13565-2:1998*. Rvk is the mean depth of the valley reaching into the material below the core profile section.

3.2 Definitions of Terms Specific to This Standard:

3.2.1 *extreme pressure, adj—in lubrication*, characterized by metal surfaces in contact under high-stress rubbing conditions.

3.2.2 *seizure, n—localized fusion of metal between the rubbing surfaces of the test pieces.*

3.2.2.1 *Discussion*—Seizure is indicated by a sharp rise in the coefficient of friction, over steady state, of greater than 0.2 for over 20 s. In severe cases, a stoppage in the motor will occur.

3.2.3 *SRV, n—Schwingung, Reibung, Verschleiss (German); oscillating, friction, wear (English translation).*

4. Summary of Test Method

4.1 This test method is performed on an SRV test machine using a steel test ball oscillating against a steel test disk with lubricant between them. Test load is increased in 100-N increments until seizure occurs. The load, immediately prior to the load at which seizure occurs, is measured and reported.

NOTE 1—Test frequency, stroke length, temperature, and ball and disk material can be varied to simulate field conditions. The test ball yields point-contact geometry. To obtain line or area contact, test pieces of differing configurations can be substituted for the test balls.

5. Significance and Use

5.1 This laboratory test method can be used to quickly determine extreme pressure properties of parts coated with solid bonded films at selected temperatures specified for use in unlubricated applications where high-speed vibrational or start-stop motions are present with high Hertzian point contact. This test method has found wide application in qualifying solid bonded films used in automotive door lock mechanisms, hinge joints, bolts, and in aerospace. This test method is a material and application oriented approach for characterizing the tribological behaviour using random, discrete and constant param-



FIG. 1 SRV Test Machine, Model III

eter combinations. Users of this test method should determine whether results correlate with field performance or other applications.

6. Apparatus

6.1 *SRV Test Machine*,⁸ illustrated in Figs. 1 and 2.

7. Reagents and Materials

7.1 *Test Balls*,⁸ 52100 steel, 60 ± 2 HRC, 0.025 ± 0.005 - μm Ra surface finish, $\text{Ø} = 10$ -mm diameter.

NOTE 2—The test can also be performed using rollers of antifriction bearings ($\text{Ø} = 15$ mm; length = 22 mm, parabolic border regions). Using 2000 N as normal force possible in SRV III models conducts only to a maximum Hertzian contact pressure of 808 MPa, which is far away from the capability of most SBFs.

7.2 *Lower Test Disk*⁸ vacuum arc remelted (VAR) AISI 52100 steel with a inclusion rating using method D, Type A, as severity level number of 0.5 according to Test Methods **E45**, Specification **A295/A295M** or a inclusion sum value $K1 \leq 10$ according to **DIN EN ISO 683-17** and spheroidized annealed to obtain globular carbide, Rockwell hardness number of 60 ± 2 on Rockwell C scale (HRC), the surfaces of the disk being lapped and free of lapping raw materials. The topography of the disk will be determined by four values: $0.5 \mu\text{m} < Rz < 0.650 \mu\text{m}$; $0.035 \mu\text{m} < \text{C.L.A. (Ra)} < 0.050 \mu\text{m}$, $0.020 \mu\text{m} < Rpk < 0.035 \mu\text{m}$ and $0.050 \mu\text{m} < Rvk < 0.075 \mu\text{m}$, $\text{Ø} = 24$ -mm diameter by 7.85 mm thick.

NOTE 3—The DIN 17230-1980 was replaced by **DIN EN ISO 683-17**.

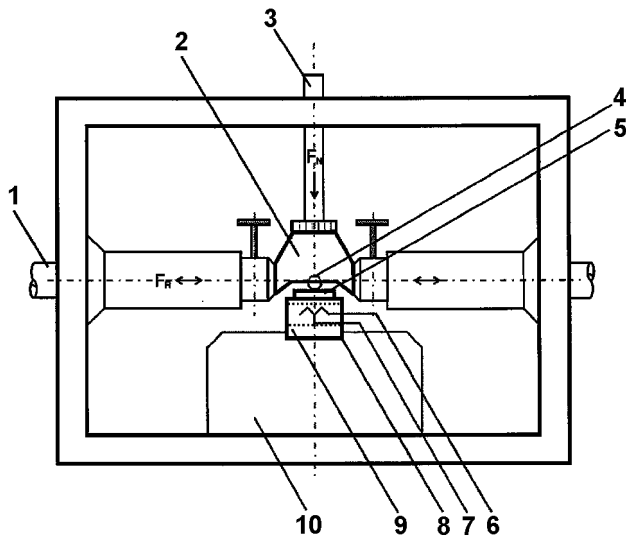
7.3 *n-Heptane*, reagent grade. (**Warning**—Flammable. Health hazard.)

7.4 *Isopropanol*, reagent grade. (**Warning**—Flammable. Health hazard.)

⁶ Amstutz, Hu, "Surface Texture: The Parameters," *Bulletin MI-TP-003-0785*, Sheffield Measurement Division, Warner and Swasey, 1985, p. 21.

⁷ Amstutz, Hu, "Surface Texture: The Parameters," *Bulletin MI-TP-003-0785*, Sheffield Measurement Division, Warner and Swasey, 1985, pp. 31, 29.

⁸ The sole source of supply of the apparatus known to the committee at this time is Optimol Instruments GmbH, Westendstr. 125, D-80339 Munich, Germany. If you are aware of alternative suppliers, please provide this information with round robin data to ASTM Headquarters. Your comments will receive careful consideration at a meeting of the responsible technical committee, which you may attend.



- | | |
|--------------------------|-----------------------------------|
| 1. Oscillation drive rod | 6. Electrical resistance heater |
| 2. Test ball holder | 7. Resistance thermometer |
| 3. Load rod | 8. Test disk holder |
| 4. Test ball | 9. Piezoelectric measuring device |
| 5. Test disk | 10. Receiving block |

FIG. 2 Test Chamber Elements

7.5 Toluene, reagent grade. (**Warning**—Flammable. Health hazard.)

7.6 Cleaning Solvent, a mixture of equal volumes of *n*-heptane, isopropanol, and toluene. (**Warning**—Flammable. Health hazard.)

8. Preparation of Apparatus

8.1 Turn on the test machine and chart recorder or the PC and allow to warm up for 15 min prior to running tests.

8.2 Select the friction data to be presented in the crest peak value position in accordance with the manufacturer's directions.

NOTE 4—In most cases, this is accomplished by positioning the sliding switch on electronic card NO. 291.35.20E (front side of electronics behind the front panel) and the sliding switch located back on the panel of the control unit.

8.3 Turn the stroke knob to ZERO.

8.4 Switch the stroke adjustment to AUTO position.

8.5 Set the frequency to 20 Hz.

8.6 Set the desired span and calibrate the chart recorder in accordance with the manufacturer's instructions. Select the desired chart speed.

9. Procedure

9.1 Check the coated disk for visible damage or corrosion. Clean the test ball and coated disk by wiping the surfaces with laboratory tissue soaked with the cleaning solvent. Repeat wiping until no dark residue appears on the tissue. Immerse the test ball and disk in a beaker of the cleaning solvent under ultrasonic vibration for 10 min. Dry the test ball and disk with a clean tissue to ensure no streaking occurs on the surface.

NOTE 5—Ensure that the binder is resistant to the solvent. In the case that the binder is not resistant to the solvent, wipe only the coated disk

surface with a laboratory tissue.

9.2 Place the cleaned test ball on the top and in the middle of the coated disk specimen.

9.3 Ensure the machine is unloaded (indicated by a load reading of -13 or -14 N) and carefully place coated disk specimen and test ball on the test area platform.

9.4 Tighten both the ball and disk clamps until resistance to tightening just begins. Then load unit to 20 N and tighten the ball and disk clamps to a torque of 2.5 N·m. Maintain the load of 20 N for break-in.

9.5 Turn on the heater control, and set to the desired temperature, for example, 50°C.

9.6 Set the load charge amplifier to setting that corresponds to the 400-N load.

9.7 Change the load charge amplifier at each load in accordance with the manufacturer's instructions when the coefficient of friction at each test load is to be studied.

9.8 When the temperature has stabilized, turn on the chart recorder or PC and depress the drive start toggle switch until the timer begins to count and then adjust the stroke amplitude knob to 2.00 mm.

9.9 When the digital timer reaches 30 s, increase the load to 20 N using the slow ramp speed rate and maintain this load for 2 min. The 2-min interval includes the loading ramp sequence. Increase the load by 10 N every 1, 3, or 6 min using the slow ramp until the load limit of the test apparatus is attained, or failure occurs. Failure is indicated by a rise in coefficient of friction of greater than 0.2 over steady state for over 20 s or a stoppage in the oscillating of the test machine.

NOTE 6—Because a 30-s break-in at xxx N is used, the load increase times will occur on the half minute of even minutes.

NOTE 7—The SRVII test machines available after 1992 have a maximum load of 1400 N and SRVIII/IV test machines after 1995 of 2000 N. Optimal Instruments supplies an upgrade kit to allow SRVI/II machines to operate with 1600 N, if needed.⁸ 6/asm-d7217-052010e1

9.10 When the 1200-N load run or maximum load of the test apparatus is completed or failure occurs, turn off the heater control, release the load to minimum setting, (typically -13 or -14 N), and remove the test ball and disk test specimen.

NOTE 8—When using SRV III and IV models, clean and install the specimens as specified under 9.1-9.4. The test parameters are to be entered via the control software. The test will be run automatically. Test results will be displayed and saved.

10. Report

10.1 Report the following information:

10.1.1 Report all parameters used to evaluate material as follows:

10.1.1.1 Temperature, °C,

10.1.1.2 Stroke, mm,

10.1.1.3 Frequency, Hz,

10.1.1.4 Relative humidity in %,

10.1.1.5 Load step interval in seconds,

10.1.1.6 Test ball material,

10.1.1.7 Test disk material,

10.1.1.8 Solid bonded film test coating, and

10.1.1.9 Pretreatment of disk.