

---

**INTERNATIONAL STANDARD**



**2587**

---

INTERNATIONAL ORGANIZATION FOR STANDARDIZATION • МЕЖДУНАРОДНАЯ ОРГАНИЗАЦИЯ ПО СТАНДАРТИЗАЦИИ • ORGANISATION INTERNATIONALE DE NORMALISATION

---

**Side and face milling cutters with plain bore and key drive —  
Metric series**

First edition — 1972-12-01

**iTeh STANDARD PREVIEW**  
**(standards.iteh.ai)**

[ISO 2587:1972](https://standards.iteh.ai/catalog/standards/sist/eca73e1f-a380-48ec-b745-b3b7098fd26c/iso-2587-1972)

[https://standards.iteh.ai/catalog/standards/sist/eca73e1f-a380-48ec-b745-  
b3b7098fd26c/iso-2587-1972](https://standards.iteh.ai/catalog/standards/sist/eca73e1f-a380-48ec-b745-b3b7098fd26c/iso-2587-1972)

---

UDC 621.914.28

Ref. No. ISO 2587-1972 (E)

**Descriptors** : tools, cutting tools, milling cutters, dimensions.

Price based on 1 page

## FOREWORD

ISO (the International Organization for Standardization) is a worldwide federation of national standards institutes (ISO Member Bodies). The work of developing International Standards is carried out through ISO Technical Committees. Every Member Body interested in a subject for which a Technical Committee has been set up has the right to be represented on that Committee. International organizations, governmental and non-governmental, in liaison with ISO, also take part in the work.

Draft International Standards adopted by the Technical Committees are circulated to the Member Bodies for approval before their acceptance as International Standards by the ISO Council.

International Standard ISO 2587 was drawn up by Technical Committee ISO/TC 29, *Small tools*.

It was approved in February 1972 by the Member Bodies of the following countries :

Austria	Italy	Switzerland
Belgium	Japan	Turkey
Egypt, Arab Rep. of	Poland	United Kingdom
France	Romania	U.S.A.
Hungary	South Africa, Rep. of	U.S.S.R.
India	Spain	
Israel	Sweden	

The Member Body of the following country expressed disapproval of the document on technical grounds :

Czechoslovakia

# Side and face milling cutters with plain bore and key drive – Metric series

## 1 SCOPE AND FIELD OF APPLICATION

This International Standard specifies the dimensions of metric series side and face milling cutters with plain bore and key drive, intended for fitting to cutter arbors.

It is applicable to cutters with straight teeth and cutters with double alternate helix (staggered tooth).

The range of outside diameters of these cutters is taken from ISO/R 523, *Recommended range of outside diameters for milling cutters*.

## 2 REFERENCE

ISO/R 240, *Interchangeability dimensions for milling cutters and cutter arbors or cutter mandrels – Metric series and inch series*.

**iTeh STANDARD PREVIEW**  
(standards.iteh.ai)

## 3 DIMENSIONS

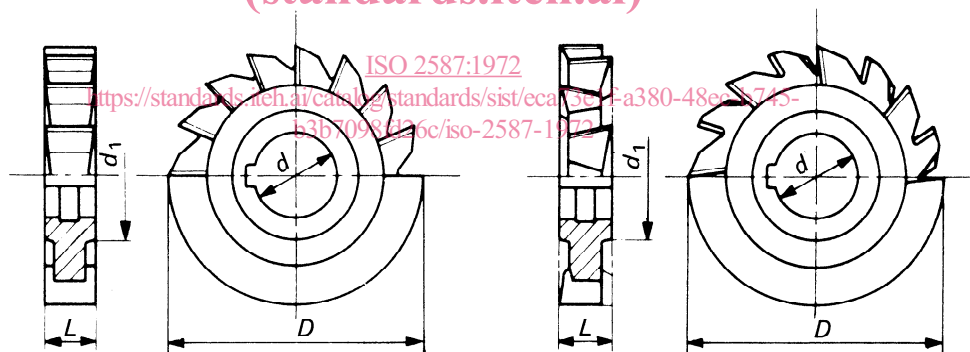


FIGURE 1 – Cutter with straight teeth

FIGURE 2 – Cutter with double alternate helix

Dimensions in millimetres

D j <sub>s</sub> 16	d H7	d <sub>1</sub> min.	L k11															
			4	5	6	8	10	12	14	16	18	20	22	25	28	32	36	40
50	16	27	X	X	X	X	X											
63	22	34	X	X	X	X	X	X	X	X								
80	27	41		X	X	X	X	X	X	X	X	X						
100	32	47			X	X	X	X	X	X	X	X	X	X				
125	32	47				X	X	X	X	X	X	X	X	X	X			
160	40	55					X	X	X	X	X	X	X	X	X	X		
200	40	55						X	X	X	X	X	X	X	X	X	X	X

The bore and keyway dimensions shall be in accordance with the metric series of ISO/R 240.

**iTeh STANDARD PREVIEW**  
**(standards.iteh.ai)**

This page intentionally left blank

[ISO 2587:1972](#)

<https://standards.iteh.ai/catalog/standards/sist/eca73e1f-a380-48ec-b745-b3b7098fd26c/iso-2587-1972>