



**SLOVENSKI STANDARD
SIST CLC/R 023-002:1997**

01-november-1997

Information concerning flush-mounting boxes used in various CENELEC countries

Information concerning flush-mounting boxes used in the various CENELEC countries

Informationen über Einbaudosen, die in den verschiedenen CENELEC-Ländern verwendet werden

Informations sur les boîtes pour montage encastré utilisées dans les pays du CENELEC

**ITeH STANDARD PREVIEW
(standards.iteh.ai)**

Ta slovenski standard je istoveten z: prR023-002

<https://standards.iteh.ai/catalog/standards/sist/4246497d-f994-49c6-b9ea-e889b24f03eb/sist-clc-r-023-002-1997>

SIST CLC/R 023-002:1997

en

iTeh STANDARD PREVIEW
(standards.iteh.ai)

[SIST CLC/R 023-002:1997](#)

<https://standards.iteh.ai/catalog/standards/sist/4246497d-f994-49c6-b9ea-e889b24f03eb/sist-clc-r-023-002-1997>

CENELEC

**DRAFT
R023-002**

REPORT

June 1996

English version

**Information concerning flush-mounting boxes
used in the various CENELEC countries**

This draft CENELEC Report has been prepared by the Technical Committee CENELEC TC 23B, Switches for household and similar fixed electrical installations. It is submitted for comments together with prEN 60670:1996, which is submitted to the formal vote with deadline 1996-09-01.

CENELEC members are the national electrotechnical committees of Austria, Belgium, Denmark, Finland, France, Germany, Greece, Iceland, Ireland, Italy, Luxembourg, Netherlands, Norway, Portugal, Spain, Sweden, Switzerland and United Kingdom.

<https://standards.iteh.ai/catalog/standards/sist/4246497d-f994-49c6-b9ea-e889b24f03eb/sist-clc-r-023-002-1997>

CENELEC

European Committee for Electrotechnical Standardization
Comité Européen de Normalisation Electrotechnique
Europäisches Komitee für Elektrotechnische Normung

Central Secretariat: rue de Stassart 35, B - 1050 Brussels

Foreword

This Report has been prepared by TC23B on the basis of the decisions taken by BT during the 87th meeting held from the 5th to the 7th March 1996 (see item 3.0.2 of CLC/BT(SG)2676) and is submitted to CENELEC members for formal vote .

The text of this document contains information concerning dimensional requirements on the various kinds of flush type boxes used in the CLC Countries.

iTeh STANDARD PREVIEW

(standards.iteh.ai)

Secretary Note

This Report is based on the information given in Annex ZC of pr EN60670: 1993 and on the comments received from National Committee on this document, reported in document CLC/TC23B(Secretariat)54.

National Committees are invited to check the details of their own boxes and to advise of any correction or omission.

REPORT (Informative)

Information concerning flush-mounting boxes used in the various CLC Countries.

This Report contains general information about the main flush type boxes used in the CLC Countries for household use and similar purposes.

The sketches specified in this Report, presented in a standardization form, are based on general information only, leaving all detailed questions to be answered by the National body responsible for the relevant boxes in question, the name and address of which is given in the sketches.

This Report is not intended to be exhaustive of the various type of boxes used in a given country.

Other types not included in this Report may be used provided these boxes used with the appropriate accessories meet the requirements of Pr EN 60670

Section A	Accessory boxes used	in Austria
Section B	Accessory boxes used	in Belgium
Section C	Accessory boxes used	in Switzerland
Section D	Accessory boxes used	in Germany
Section E	Accessory boxes used	in Denmark
Section F	Accessory boxes used	in Spain
Section G	Accessory boxes used	in Finland
Section H	Accessory boxes used	in France
Section I	Accessory boxes used	in United Kingdom
Section J	Accessory boxes used	in Greece (no information available)
Section K	Accessory boxes used	in Ireland (no information available)
Section L	Accessory boxes used	in Iceland (no information available)
Section M	Accessory boxes used	in Italy
Section N	Accessory boxes used	in Luxemburg (no information available)
Section O	Accessory boxes used	in Netherlands
Section P	Accessory boxes used	in Norway
Section Q	Accessory boxes used	in Portugal
Section R	Accessory boxes used	in Sweden

Sec. Note: Sections without information are not included in this Report. They will be added when the relevant information becomes available.

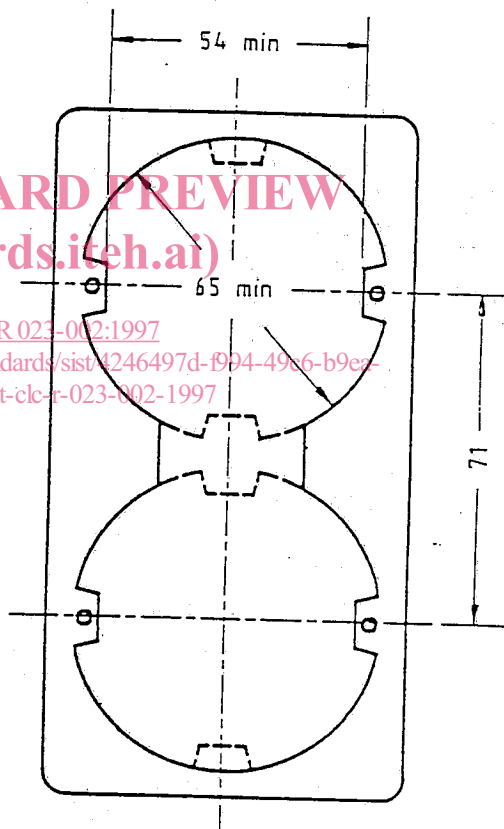
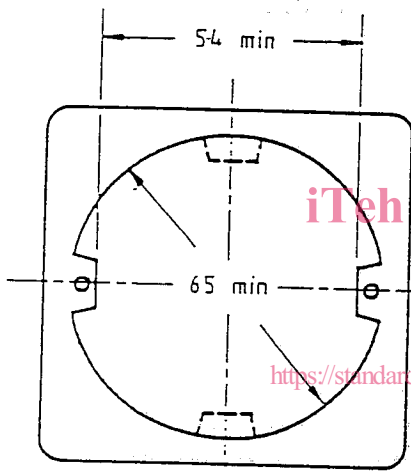
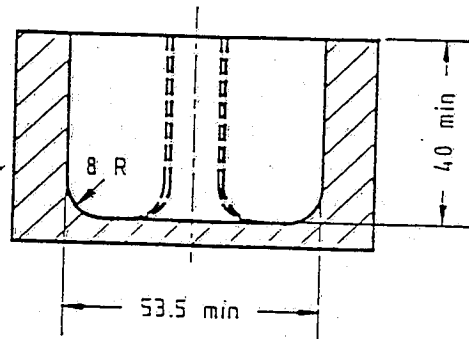
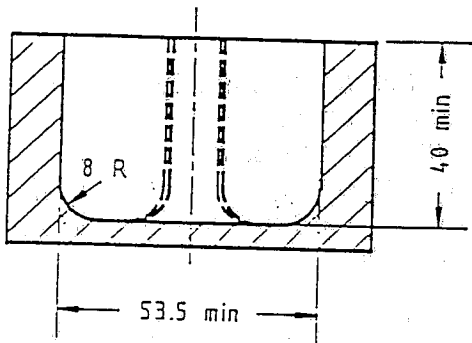
Section A

EN 60 670

Accessory Boxes used in Austria

Page: 1 of 4

Date: 1993-01-27



iTeh STANDARD PREVIEW
(standards.iteh.ai)

SIST CLC/R 023-002:1997
<https://standards.iteh.ai/catalog/standards/sist/4246497d-f994-4986-b9e2-e889b24f03eb/sist-clc-r-023-002-1997>

E 6508 Teil 1 Bild 1

E 6508 Teil 1 Bild 2

Dimensions in mm.

For further information, see page 4.

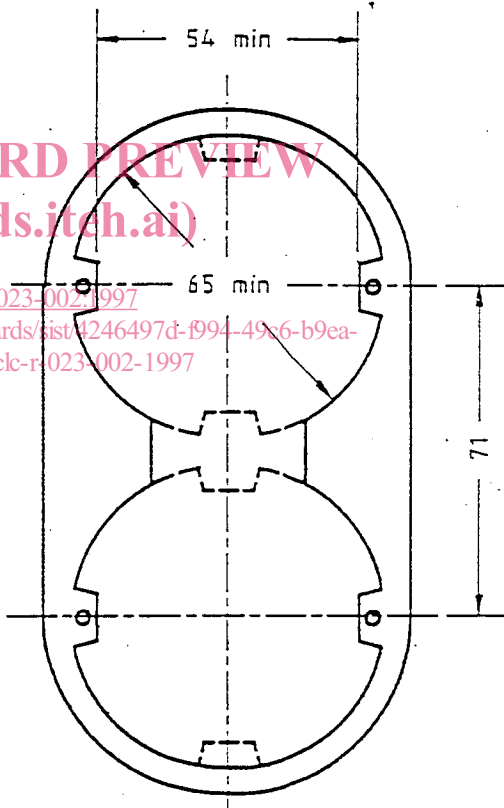
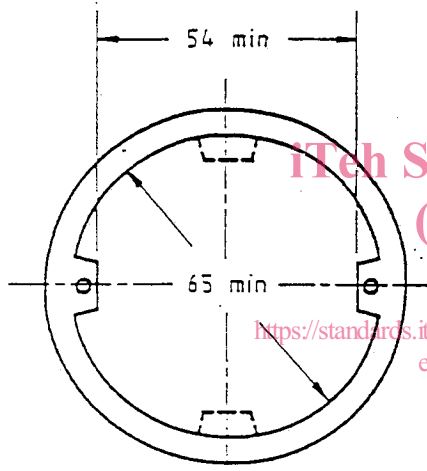
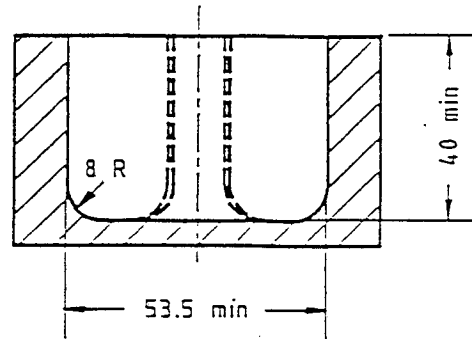
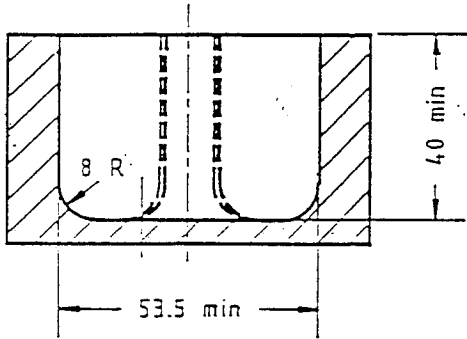
Section A

EN 60 670

Accessory Boxes used in Austria

Page: 2 of 4

Date: 1993-01-27



ITeH STANDARD PREVIEW
(standards.iteh.ai)

SIST CLC/R 023-002:1997

<https://standards.iteh.ai/catalog/standards/sist/4246497d-f994-4986-b9ea-e889b24f03eb/sist-clc-r-023-002-1997>

E 6508 Teil 2 Bild 1

E 6508 Teil 2 Bild 2

Dimensions in mm.

For further information, see page 4.

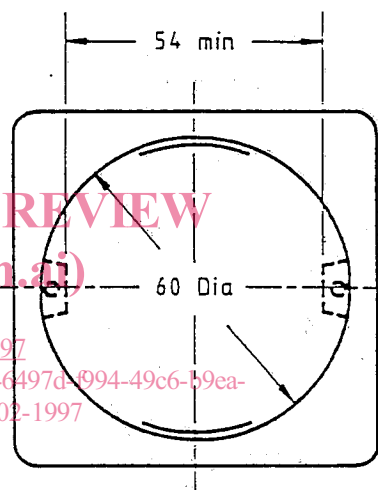
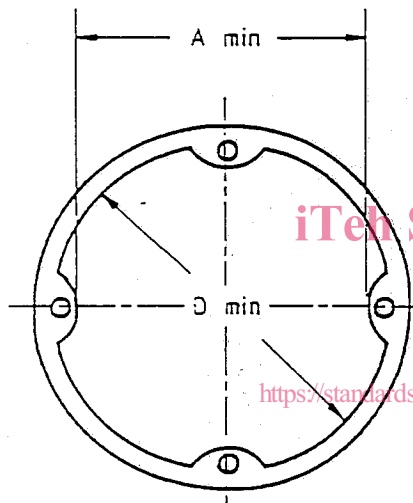
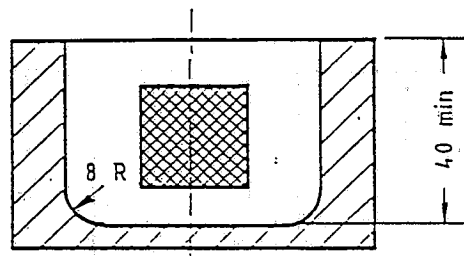
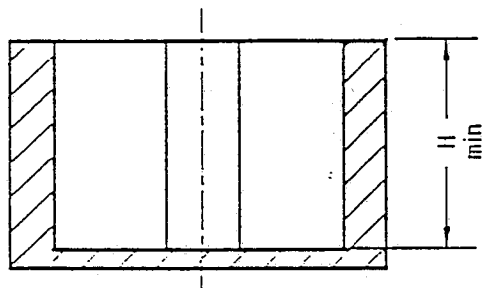
Section A

EN 60 670

Accessory Boxes used in Austria

Page: 3 of 4

Date: 1993-01-27



iTech STANDARD PREVIEW
(standards.iteh.ai)

SIST CLC/R 023-002:1997
<https://standards.iteh.ai/catalog/standards/sist/4246497d-994-49c6-b9ea-e889b24f03eb/sist-clc-r-023-002-1997>

A min	D min	H min
60	60	45
70	70	50

E 6508 Teil 4

E 6508 Teil 3

Dimensions in mm.

For further information, see page 4.

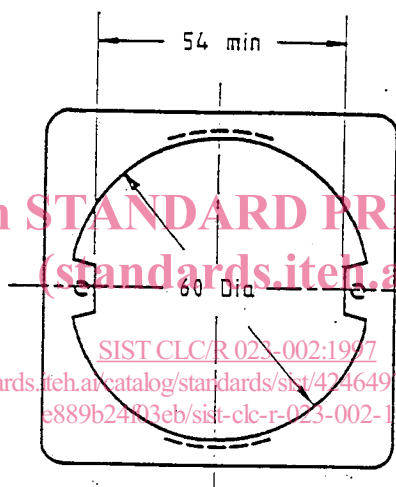
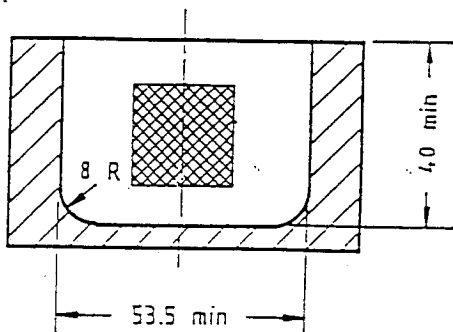
Section A

EN 60 670

Accessory Boxes used in
Austria

Page: 4 of 4

Date: 1993-01-29



iTeh STANDARD PREVIEW
(standards.itel.ai)

SIST CLC/R 023-002:1997

<https://standards.itel.ai/catalog/standards/sist/4246497d-f994-49c6-b9ea-e889b24f03eb/sist-clc-r-023-002-1997>

E 6508 Teil 5

Dimensions in mm

Reference of National Standard or Regulation:

E 6508 Parts 1 to 5.

Further information obtainable from	Osterreichisches Elektrotechnisches Komitee (OEK) beim Osterreichischen Verband fur Elektrotechnik (OVE) Eschenbachg. 9 A - 1010 Wien.	Telephone: 43 1 587 63 73 Telefax: 43 1 56 74 08 Telex: -----
Distribution and Subscription from	Osterreichisches Elektrotechnisches Komitee (OEK) beim Osterreichischen Verband fur Elektrotechnik (OVE) Eschenbachg. 9 A - 1010 Wien.	Telephone: 43 1 587 63 73 Telefax: 43 1 56 74 08 Telex: -----

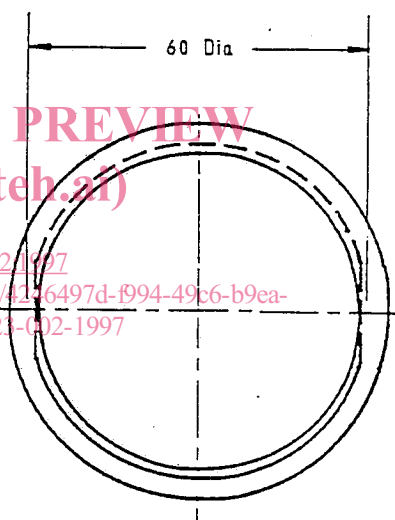
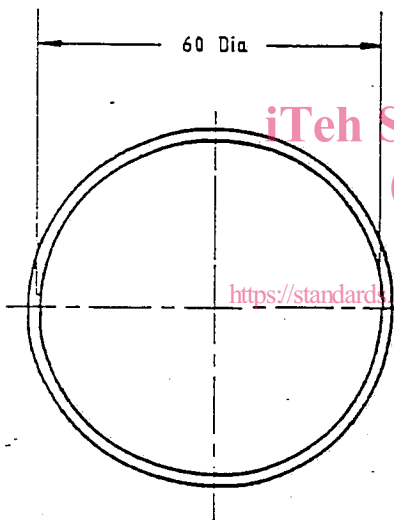
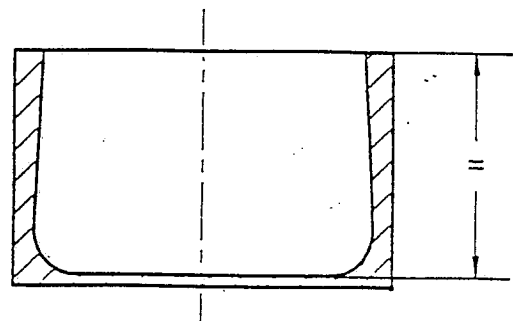
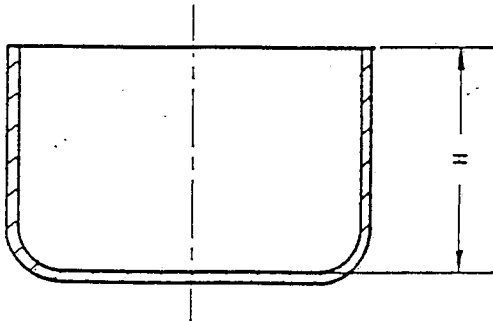
Section B

EN 60 670

Accessory Boxes used in
Belgium

Page: 1 OF 2

Date: 1993-01-06



iTeh STANDARD PREVIEW
(standards.iteh.ai)

SIST CLC/R 023-002:1997
<https://standards.iteh.ai/catalog/standards/sist/4126497d-f994-49c6-b9ea-e889b24f03eb/sist-clc-r-023-002-1997>

CEE 14 Std. Sht. IV
For claw fixing

H
30
40

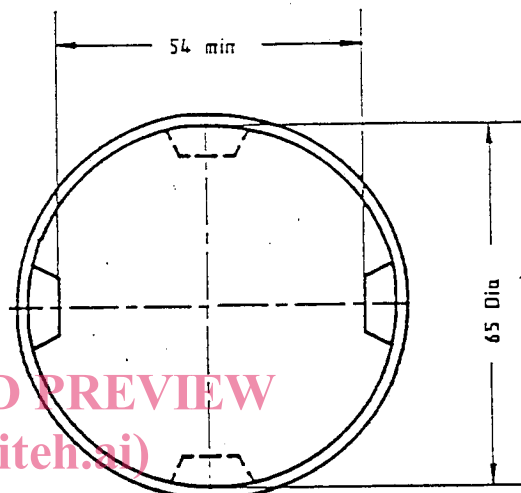
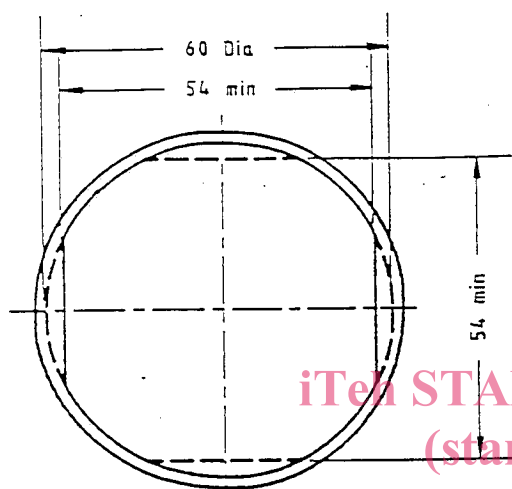
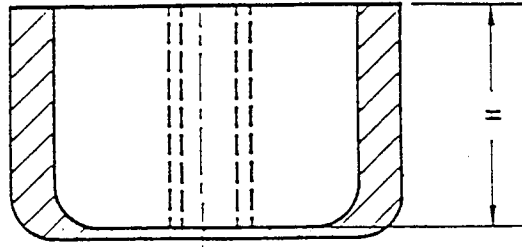
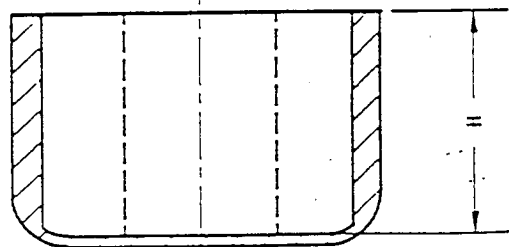
H
30
40

Dimensions in mm.

For further information, see page 2.

Section B

EN 60 670	Accessory Boxes used in Belgium	Page: 2 of 2 Date: 1992-06-02
-----------	---------------------------------	----------------------------------



ITeT STANDARD PREVIEW
(standards.iteh.ai)

SIST CLC/R 023-002:1997

NBN C 61-111-1 //standards.iteh.ai/catalog/standards/sist/4246497d-08449c6-05ca-e889b24f03eb/sist-clc-r-023-002-1997 NBN C 61-112-

For screw fixing
with Two or Four screws

For screw fixing
with Two or Four screws

Lugs	H	
2	40	min
2	30	
4	40	min
4	30	

Lugs	H	
2	40	min
2	30	
4	40	min
4	30	

Reference of National Standard or Regulation: NBN C 61-111-1, 61-112, & CEE 14

Further information obtainable from	Comite Electronique Belge Avenue Van Kalken 9 1070 Bruxelles	Telephone: 3225560020 Telefax: 32 2 502 49 21 Telex: -----
Distribution and Subscription from	Institut Belge de Normalisation (IBN) Avenue de la Brabantonne 29 1040 Bruxelles	Telephone: 32 2 734 92 05 Telefax: 32 2 733 42 64 Telex: -----

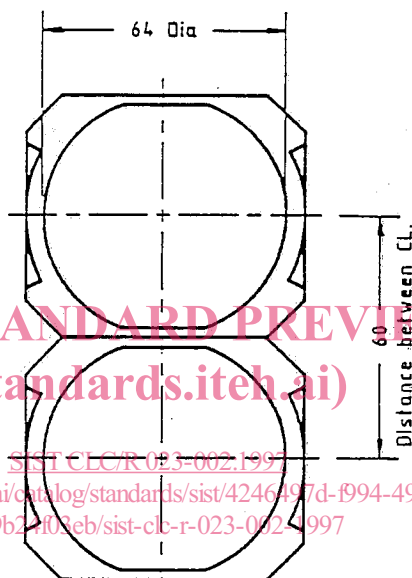
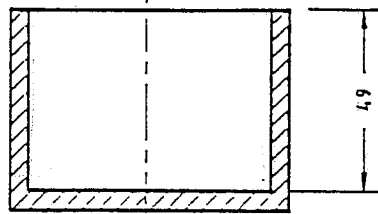
Section C

EN 60 670

Accessory Boxes used in
Switzerland

Page: 1 of 1

Date: 1993-01-18



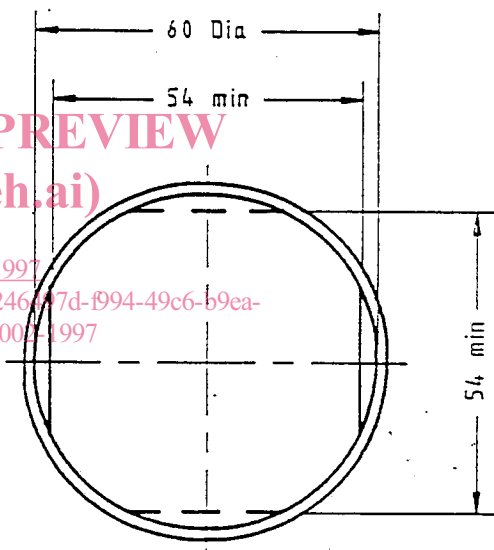
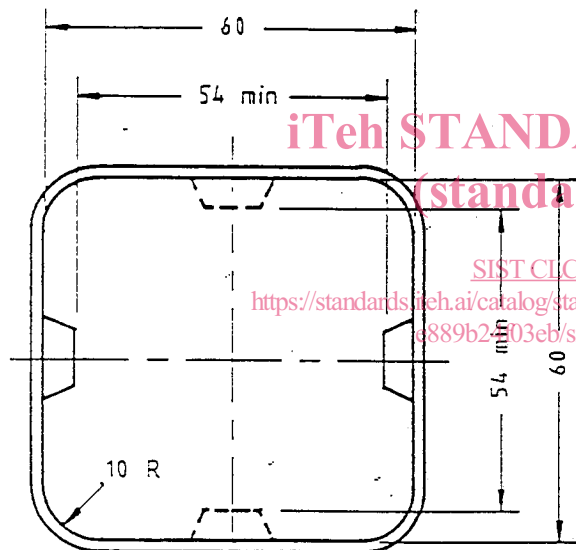
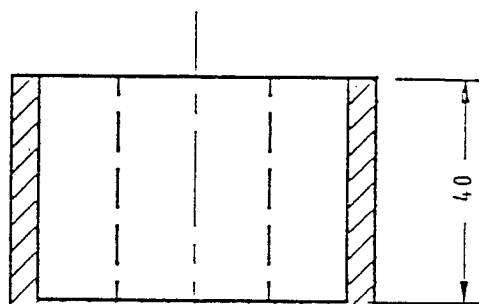
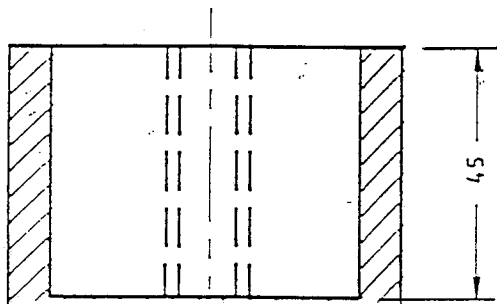
Dimensions in mm.

Reference of National Standard or Regulation:

Further information obtainable from	Swiss Electrotechnical Association Seefeldstrasse 301, P.O. Box CH - 8034 Zurich	Telephone: 41 - 1 - 384 91 11 Telefax: 41 - 1 - 422 14 26 Telex: -----
Distribution and Subscription from	Swiss Electrotechnical Association Seefeldstrasse 301, P.O. Box CH - 8034 Zurich	Telephone: 41 - 1 - 384 91 11 Telefax: 41 - 1 - 422 14 26 Telex: -----

Section D

EN 60 670	Accessory Boxes used in Deutschland	Page: 1 of 5 Date: 1993-01-08
-----------	-------------------------------------	----------------------------------



iTeh STANDARD PREVIEW
(standards.iteh.ai)

SIST CLC/R 023-002:1997
<https://standards.iteh.ai/catalog/standards/sist/424647d-f994-49c6-b9ea-889b2503eb/sist-clc-r-023-002-1997>

DIN 49 073 - GA.D1

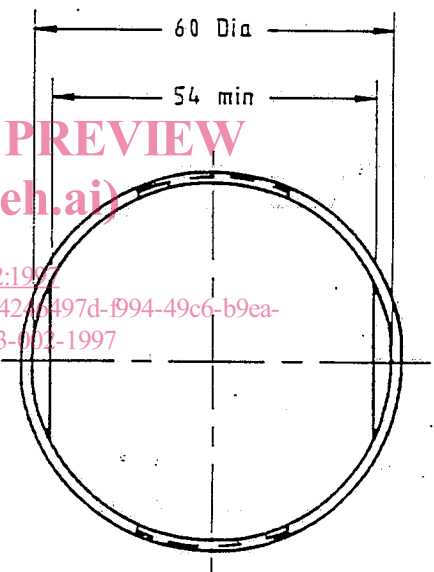
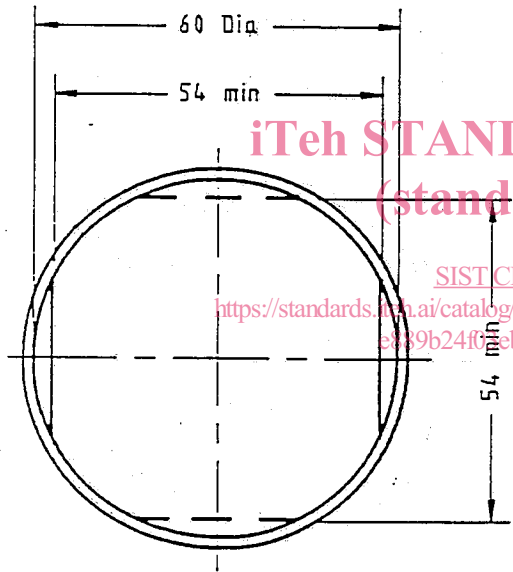
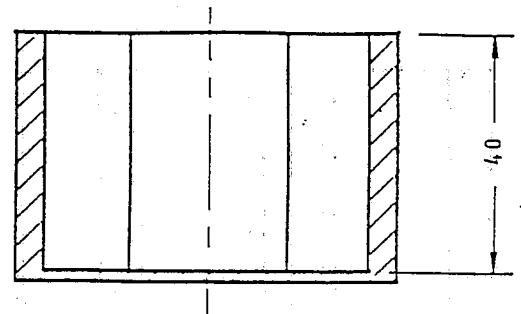
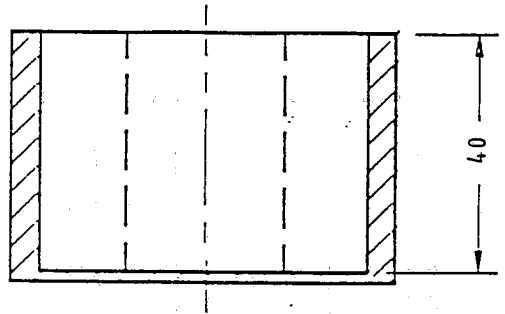
DIN 49 073 - TA - M1H1

Dimensions in mm

For further information, see page 5

Section D

EN 60 670	Accessory Boxes used in Deutschland	Page: 2 of 5 Date: 1993-01-15
-----------	-------------------------------------	----------------------------------



iTeh STANDARD PREVIEW
(standards.iteh.ai)

SIST CLC/R 023-002:1997
<https://standards.iteh.ai/catalog/standards/sist/4240497d-f994-49c6-b9ea-889b24f0eb/sist-clc-r-023-002-1997>

DIN 49 073 - GB.T.M1E1

DIN 49 073 - GB.R1.M2E2

Dimensions in mm.

For further information, see page 5

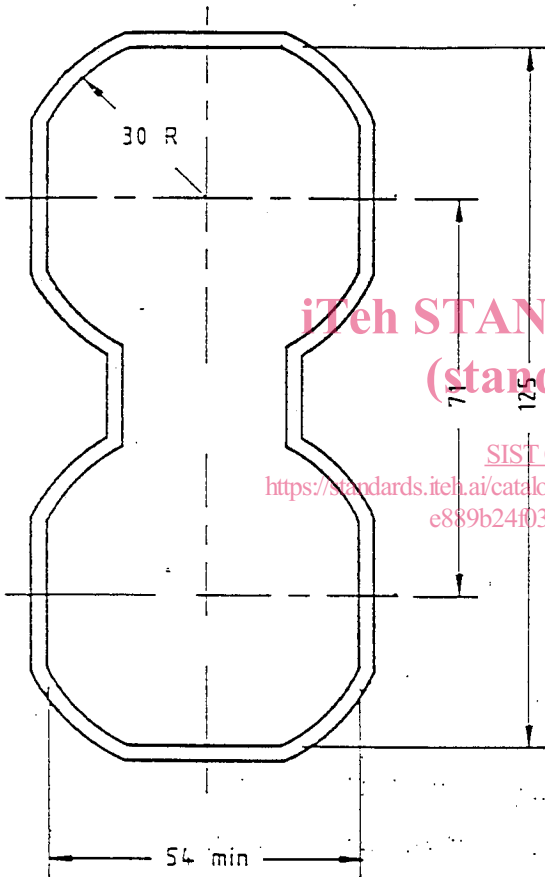
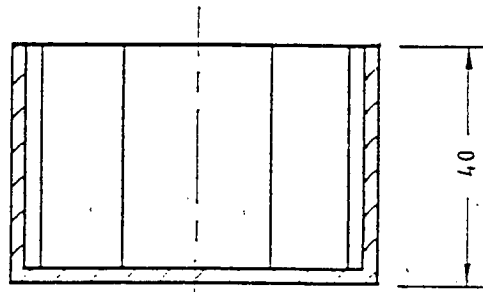
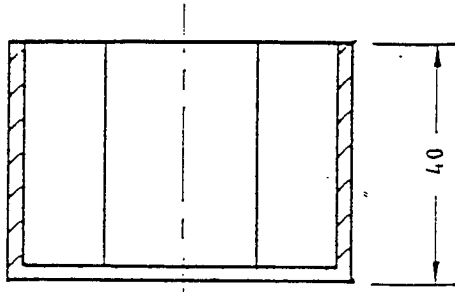
Section D

EN 60 670

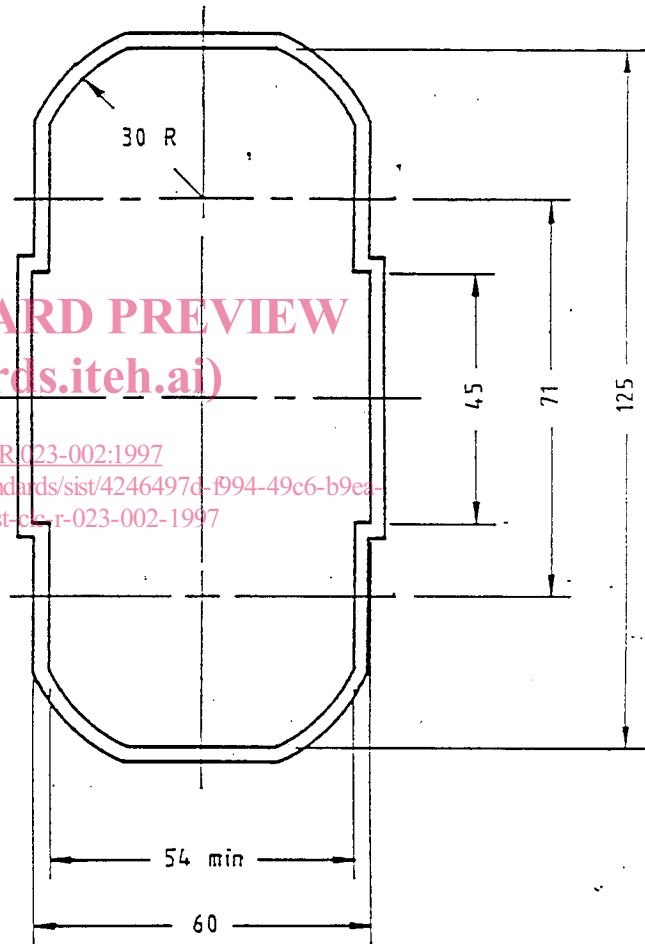
Accessory Boxes used in
Deutscheland

Page: 3 of 5

Date: 1993-01-15



DIN 49 073 - GC.U.P1E1



DIN 49 073 - GC.Z.P2E1

Dimensions in mm.

For further information, see page 5

iTeh STANDARD PREVIEW
(standards.iteh.ai)

SIST CLC/R 023-002:1997
<https://standards.iteh.ai/catalog/standards/sist/4246497c-f994-49c6-b9ea-e889b24f03eb/sist-clc-r-023-002-1997>