



Designation: C1087 – 00 (Reapproved 2006)^{e1}

Standard Test Method for Determining Compatibility of Liquid-Applied Sealants with Accessories Used in Structural Glazing Systems¹

This standard is issued under the fixed designation C1087; the number immediately following the designation indicates the year of original adoption or, in the case of revision, the year of last revision. A number in parentheses indicates the year of last reapproval. A superscript epsilon (ϵ) indicates an editorial change since the last revision or reapproval.

^{e1} NOTE—Reference to Section 6 in 9.2 was corrected editorially to Section 8 in January 2011.

1. Scope

1.1 This test method covers a laboratory screening procedure for determining the compatibility of liquid-applied structural sealant glazing sealants when in contact with accessories such as dry glazing gaskets, spacers, shims, and setting blocks after exposure to heat and ultraviolet light.

1.2 This test method includes the observation of three parameters as follows:

1.2.1 Changes in the color of the sealant,

1.2.2 Changes in the adhesion of the sealant to glass, and

1.2.3 Changes in the adhesion of the sealant to the accessory being tested.

1.3 The values stated in SI units are to be regarded as the standard. The values given in parentheses are for information only.

1.4 *This standard does not purport to address all of the safety concerns, if any, associated with its use. It is the responsibility of the user of this standard to establish appropriate safety and health practices and determine the applicability of regulatory limitations prior to use.*

NOTE 1—At this time, no comparable ISO standard exists.

2. Referenced Documents

2.1 *ASTM Standards*:²

C717 Terminology of Building Seals and Sealants

3. Terminology

3.1 *Definitions*—Definitions of the following terms used in this test method are listed in Terminology **C717**: adhesive failure (adhesion loss), bead, bond breaker, cohesive failure,

¹ This test method is under the jurisdiction of ASTM Committee C24 on Building Seals and Sealants and is the direct responsibility of Subcommittee C24.20 on General Test Methods.

Current edition approved May 1, 2006. Published August 2006. Originally approved in 1987. Last previous edition approved in 2000 as C1087 – 00. DOI: 10.1520/C1087-00R06E01.

² For referenced ASTM standards, visit the ASTM website, www.astm.org, or contact ASTM Customer Service at service@astm.org. For *Annual Book of ASTM Standards* volume information, refer to the standard's Document Summary page on the ASTM website.

compatibility, gasket, glazing, sealant, setting blocks, shim, spacer, structural sealant, and structural sealant glazing.

4. Summary of Test Method

4.1 The test specimens are placed beneath ultraviolet lamps so that the radiation will hit the sealant directly on one specimen, and through the glass, on the other specimen (see Fig. 1).

4.2 The control specimens for this test method are prepared and tested identically to the test specimens except that the accessory is eliminated.

4.3 After the specimens are exposed, the test specimens are compared to the control specimens.

4.4 In the testing of the specimens, any color change in the sealant between the test specimen and the control is noted as are any changes in the adhesion of the sealant to either the glass or to the accessory. This test method requires the preparation of eight test specimens (four controls and four test specimens for each accessory being evaluated).

5. Significance and Use

5.1 In structural sealant glazing systems, the sealant functions as the structural adhesive and may also function as the primary weather seal. As the structural adhesive, the integrity of the adhesive bond is critical.

5.2 Changes in color and adhesion after exposure are two of the criteria that can be used to determine the compatibility of the system. Experience has shown that accessories that cause loss of adhesion or discoloration in this test method may also cause these occurrences in actual use.

6. Apparatus and Materials

6.1 *Glass Panels*, clear float glass, approximately 76.2 by 50.8 by 6.4 mm (3 by 2 by ¼ in.). Eight panels are required for each material being tested.

6.2 *Bond Breaker Tape*, 25.4 by 76.2-mm (1 by 3-in.) piece for each panel. The bond breaker tape must be compatible with the sealants being tested.

6.3 *Thermometer*, for example, 28.9 to 100°C (20 to 212°F).

6.4 *Ultraviolet (UV) lamps*, UVA-340 lamps.

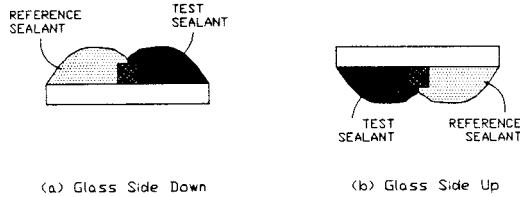
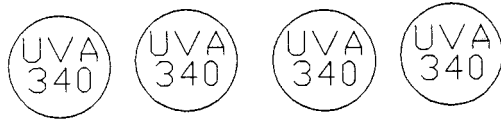


FIG. 1 Orientation of Test Specimen Under Lamps

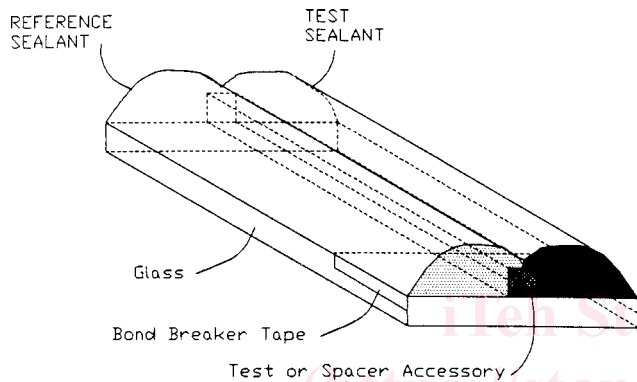


FIG. 2 View of Test Specimen

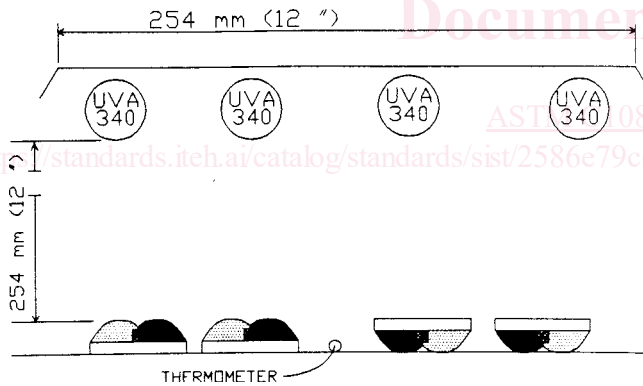


FIG. 3 UV Exposure Apparatus

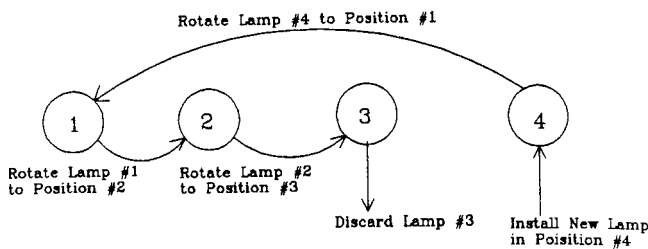


FIG. 4 UV Lamp Rotation

specimens (see Fig. 3). The apparatus shall be capable of maintaining a temperature at the test specimens of $48 \pm 2^\circ\text{C}$ ($118 \pm 3.6^\circ\text{F}$). Infrared lamps or other sources of heat may be used to maintain the required temperature.

6.6 *Cleaning Solvent*—Any solvent capable of cleaning the glass is acceptable (for example, 50/50 mix of isopropyl alcohol and distilled water).

6.7 *Test Sealant*, an appropriate amount of the sealant to be used in the system.

6.8 *Reference Sealant*—A light or translucent sealant of the same composition as the test sealant. If none is available, contact the sealant supplier for recommendations on a suitable alternative.

7. Preparation of Test Specimens

7.1 Standard conditions of temperature and relative humidity used during the preparation are defined as $23 \pm 2^\circ\text{C}$ ($73.4 \pm 3.6^\circ\text{F}$) and $50 \pm 10\%$ relative humidity.

7.2 Prior to use, clean the glass thoroughly with the cleaning solvent and dry with a clean rag before the solvent is allowed to evaporate.

7.3 Place a piece of compatible bond breaker tape to cover 1 in. of the top surface of the glass at one end (see Fig. 2).

7.4 Prepare a total of eight samples (four controls without accessory and four test specimens with accessory).³ Cut a piece of accessory material approximately 6.4 by 51 by 6.4 mm ($\frac{1}{4}$ by 2 by $\frac{1}{4}$ in.) and place it on the center of the piece of glass as shown in Fig. 2. Both the reference sealant and the test sealant are tested in contact with the accessory.

7.5 Apply a bead of the test sealant on one side of the accessory and a bead of translucent or light color reference sealant along the other side of the accessory. Tool the sealant so that good contact with the glass occurs and the sealant is on top of the accessory. The thickness of the sealant on top of the accessory shall be approximately 3.2 mm ($\frac{1}{8}$ in.).

7.6 The control specimens for this test are prepared and tested identically to the test specimens except that the accessory is eliminated.

8. Conditioning

8.1 Condition all the specimens for one week at standard conditions. After conditioning for seven days at standard conditions, place two test specimens (with accessory) and two control specimens (without accessory) with glass side down, and place two test specimens (with accessory) and two control specimens (without accessory) with glass side up, under the UV lamps, in accordance with Fig. 1 (a) and 1 (b) for 21 days.

8.2 In order to provide an appropriate intensity of UV radiation, replace the UVA-340 lamps after eight weeks of use. In order to provide more uniform UV radiation, replace one lamp every two weeks, in accordance with the rotation scheme shown in Fig. 4. (Discard lamp No. 3, move lamp No. 2 to lamp position No. 3, move lamp No. 1 to lamp position No. 2, move lamp No. 4 to lamp position No. 1 then install the new lamp in lamp position No. 4.)

³ Control specimens need not be duplicated if more than one accessory is being evaluated at one time.