

ISO/TC 28

Secretariat: NEN

Voting begins on:
2020-04-08

Voting terminates on:
2020-06-03

Petroleum products and related products — Determination of kinematic viscosity — Method by Stabinger type viscosimeter

Produits pétroliers et produits connexes — Détermination de la viscosité cinématique — Méthode avec le viscosimètre Stabinger

ITeH STANDARD PREVIEW
(standards.iteh.ai)
Full standard:
<https://standards.iteh.ai/catalog/standards/sis/403e88db-9b8d-4f5a-97bf-34d091af0585/iso-fdis-23581>

RECIPIENTS OF THIS DRAFT ARE INVITED TO SUBMIT, WITH THEIR COMMENTS, NOTIFICATION OF ANY RELEVANT PATENT RIGHTS OF WHICH THEY ARE AWARE AND TO PROVIDE SUPPORTING DOCUMENTATION.

IN ADDITION TO THEIR EVALUATION AS BEING ACCEPTABLE FOR INDUSTRIAL, TECHNOLOGICAL, COMMERCIAL AND USER PURPOSES, DRAFT INTERNATIONAL STANDARDS MAY ON OCCASION HAVE TO BE CONSIDERED IN THE LIGHT OF THEIR POTENTIAL TO BECOME STANDARDS TO WHICH REFERENCE MAY BE MADE IN NATIONAL REGULATIONS.

ISO/CEN PARALLEL PROCESSING



Reference number
ISO/FDIS 23581:2020(E)

iTeh STANDARD PREVIEW
(standards.iteh.ai)
Full standard:
<https://standards.iteh.ai/catalog/standards/sist/48ee88d6-9b8d-4f5a-97bf-34d091af0585/iso-fdis-23581>



COPYRIGHT PROTECTED DOCUMENT

© ISO 2020

All rights reserved. Unless otherwise specified, or required in the context of its implementation, no part of this publication may be reproduced or utilized otherwise in any form or by any means, electronic or mechanical, including photocopying, or posting on the internet or an intranet, without prior written permission. Permission can be requested from either ISO at the address below or ISO's member body in the country of the requester.

ISO copyright office
CP 401 • Ch. de Blandonnet 8
CH-1214 Vernier, Geneva
Phone: +41 22 749 01 11
Fax: +41 22 749 09 47
Email: copyright@iso.org
Website: www.iso.org

Published in Switzerland

Contents

Page

Foreword	iv
1 Scope	1
2 Normative references	1
3 Terms and definitions	1
4 Principle	2
5 Reagents and materials	2
6 Apparatus	3
6.1 General.....	3
6.2 Stabinger type viscosimeter.....	3
6.2.1 Viscosity measurement.....	3
6.2.2 Density measurement.....	3
6.2.3 Temperature control.....	4
6.2.4 Stability.....	4
7 Sampling and sample handling	4
7.1 Sampling.....	4
7.2 Sample handling.....	4
8 Calibration and verification	4
8.1 General.....	4
8.2 Instrument.....	4
9 Apparatus preparation	5
10 Procedure	5
10.1 Filling and cleaning.....	5
10.2 Manual filling and cleaning using syringes.....	5
10.3 Manual filling using sample displacement.....	6
10.4 Automatic filling and cleaning by a sample changer.....	6
11 Calculation	7
12 Expression of results	7
13 Precision	7
13.1 General.....	7
13.2 Repeatability, r	7
13.3 Reproducibility, R	8
13.4 Bias.....	8
14 Test report	8
Bibliography	9

Foreword

ISO (the International Organization for Standardization) is a worldwide federation of national standards bodies (ISO member bodies). The work of preparing International Standards is normally carried out through ISO technical committees. Each member body interested in a subject for which a technical committee has been established has the right to be represented on that committee. International organizations, governmental and non-governmental, in liaison with ISO, also take part in the work. ISO collaborates closely with the International Electrotechnical Commission (IEC) on all matters of electrotechnical standardization.

The procedures used to develop this document and those intended for its further maintenance are described in the ISO/IEC Directives, Part 1. In particular, the different approval criteria needed for the different types of ISO documents should be noted. This document was drafted in accordance with the editorial rules of the ISO/IEC Directives, Part 2 (see www.iso.org/directives).

Attention is drawn to the possibility that some of the elements of this document may be the subject of patent rights. ISO shall not be held responsible for identifying any or all such patent rights. Details of any patent rights identified during the development of the document will be in the Introduction and/or on the ISO list of patent declarations received (see www.iso.org/patents).

Any trade name used in this document is information given for the convenience of users and does not constitute an endorsement.

For an explanation of the voluntary nature of standards, the meaning of ISO specific terms and expressions related to conformity assessment, as well as information about ISO's adherence to the World Trade Organization (WTO) principles in the Technical Barriers to Trade (TBT), see www.iso.org/iso/foreword.html.

This document was prepared by Technical Committee ISO/TC 28, *Petroleum and related products, fuels and lubricants from natural or synthetic sources*, in collaboration with the European Committee for Standardization (CEN) Technical Committee CEN/TC 19, *Gaseous and liquid fuels, lubricants and related products of petroleum, synthetic and biological origin*, in accordance with the Agreement on technical cooperation between ISO and CEN (Vienna Agreement).

Any feedback or questions on this document should be directed to the user's national standards body. A complete listing of these bodies can be found at www.iso.org/members.html.

Petroleum products and related products — Determination of kinematic viscosity — Method by Stabinger type viscosimeter

WARNING — The use of this document can involve hazardous materials, operations and equipment. This document does not purport to address all of the safety problems associated with its use. It is the responsibility of users of this document to take appropriate measures to ensure the safety and health of personnel prior to application of this document and fulfil other applicable requirements for this purpose.

1 Scope

This document specifies a procedure for the determination of kinematic viscosity (ν) at 40 °C in the range from 2 mm²/s to 6 mm²/s by calculation from dynamic viscosity (η) and density (ρ) of middle distillate fuels, fatty acid methyl ester fuels (FAME) and mixtures of these using the Stabinger type viscosimeter.

The result obtained using the procedure described in this document depends on the rheological behaviour of the sample. This document is predominantly applicable to liquids whose shear stress and shear rate are proportional (Newtonian flow behaviour). However, if the viscosity changes significantly with the shear rate, comparison with other measuring methods is only permissible at similar shear rates.

2 Normative references

The following documents are referred to in the text in such a way that some or all of their content constitutes requirements of this document. For dated references, only the edition cited applies. For undated references, the latest edition of the referenced document (including any amendments) applies.

ISO 3104, *Petroleum products — Transparent and opaque liquids — Determination of kinematic viscosity and calculation of dynamic viscosity*

ISO 3170, *Petroleum liquids — Manual sampling*

ISO 3171, *Petroleum liquids — Automatic pipeline sampling*

ISO 12185, *Crude petroleum and petroleum products — Determination of density — Oscillating U-tube method*

3 Terms and definitions

For the purposes of this document, the following terms and definitions apply.

ISO and IEC maintain terminological databases for use in standardization at the following addresses:

- ISO Online browsing platform: available at <https://www.iso.org/obp>
- IEC Electropedia: available at <http://www.electropedia.org/>

3.1

dynamic viscosity

η

ratio of the applied shear stress to the resulting shear rate of a liquid

3.2
kinematic viscosity

ν

ratio of the *dynamic viscosity* (3.1) to the *density* (3.3) of a liquid at the same temperature and pressure

Note 1 to entry: The kinematic viscosity is a measure of a liquid's resistance to flow under gravity.

3.3
density

ρ

mass of a substance divided by its volume at a given temperature

3.4
determinability

d

quantitative measure of the variability associated with the same operator in a given laboratory, obtaining successive determined values using the same apparatus for a series of operations leading to a single result, defined as the difference between two such single determined values

4 Principle

A test portion of a sample is introduced into the measuring cells, which are at closely controlled and known temperature. The measuring cells consist of a pair of rotating concentric cylinders and an oscillating U-tube. The dynamic viscosity is determined from the equilibrium rotational speed of the inner cylinder under the influence of the shear stress of the test specimen and an eddy current brake in conjunction with adjustment data. The density is determined by the oscillation frequency of the U-tube in conjunction with adjustment data. The kinematic viscosity is calculated by dividing the dynamic viscosity by the density.

5 Reagents and materials

5.1 Cleaning solvent, able to remove the sample from the measuring cell after the measurement and be completely miscible with all constituents of the sample.

5.2 Drying solvent, highly volatile and miscible with the cleaning solvent, shall be filtered before use and of an appropriate purity so that it does not leave any residues in the instrument.

NOTE 1 A separate drying solvent is not needed if the cleaning solvent also meets the requirements of the drying solvent.

NOTE 2 Commercially available volatile petroleum spirit or cleaner's naphtha of technical grade or better has proven suitable.

5.3 Compressed air, oil-free and filtered with a dew point considerably lower than the lowest measuring cell temperature at which the instrument should be dried.

The pressure should be limited to 100 kPa.

Instead of compressed air, it is also possible to use inert gases, for example technical nitrogen. The requirements given for compressed air are also valid here.

5.4 Certified reference liquids for viscosity and density, identical to the reference standards referenced in ISO 3104 and ISO 12185, respectively.

5.5 Reference thermometer and probe, for verification of the temperature calibration.

The measuring uncertainty of the reference thermometer, including the probe, shall not exceed 0,01 °C. The resolution shall be at least 0,001 °C.

The probe used for the calibration (with an adapter if necessary) shall have a shape which fits the geometry of the viscosity cell. The probe replaces the measuring system (tube and measuring rotor).

6 Apparatus

6.1 General

Usual laboratory apparatus and glassware should be used.

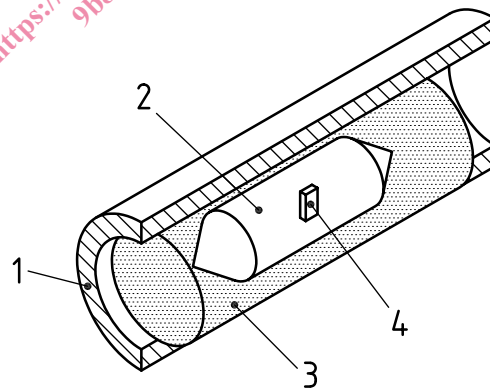
6.2 Stabinger type viscosimeter

6.2.1 Viscosity measurement

The Stabinger type viscosimeter, a concentric rotating viscosimeter, contains an outer rotor and an inner rotor (see [Figure 1](#)). The small concentric gap between these rotors is filled with the sample. The outer rotor is driven at constant speed, which makes the inner rotor rotate due to the sample's viscosity. The lightweight inner rotor is centred in the heavier sample due to the centrifugal forces. The equilibrated speed ratio depends on the driving viscous shear force and the opposing magnetic induction force (eddy current). The dynamic viscosity is a function of the equilibrated speed ratio and adjustment constants. The kinematic viscosity is obtained by dividing the measured dynamic viscosity by the measured density.

6.2.2 Density measurement

The Stabinger type viscosimeter has an integrated density measurement based on the oscillating U-tube principle. The sample-filled U-tube is oscillated and the instrument calculates the density from the measured natural frequency of the filled tube using adjustment factors. The viscosity-dependent error of this procedure is corrected using the measured viscosity value.



Key

1	outer rotor (constant speed)	3	sample fluid
2	inner rotor (measured speed)	4	magnet

Figure 1 — Viscosity cell

6.2.3 Temperature control

The Stabinger type viscosimeter has an integrated temperature control which keeps the viscosity and density measurement at the same temperature.

Using Peltier elements, a highly conductive measuring cell block which surrounds the measuring cells is set to the target temperature with a stability of $\pm 0,005$ °C.

The measurement uncertainty of the temperature sensor shall be within $\pm 0,03$ °C at 40 °C.

6.2.4 Stability

The instrument automatically ensures the temperature equilibration of the sample by checking the stability of the continuously recorded viscosity and density values by limiting the maximum fluctuation range to 0,07 % for the dynamic viscosity and $\pm 0,03$ kg/m³ for the density within 60 s.

7 Sampling and sample handling

7.1 Sampling

Samples shall be taken as described in ISO 3170 or ISO 3171.

NOTE National regulations can apply.

7.2 Sample handling

For waxy or other samples with high pour point, before drawing the test specimen, heat the sample to the desired temperature, which shall be high enough to dissolve the wax crystals.

8 Calibration and verification

8.1 General

The calibration shall be verified periodically using certified reference liquids (5.4).

Due to the measuring range of the viscosity and temperature, more than one calibration fluid may be required. If a reference liquid gives no reference value or if the given reference value is not sufficiently precise for one of the two parameters (viscosity or density), for example a density standard without viscosity values, the affected parameter shall be verified with another suitable reference liquid.

Verify the calibration of the temperature measurement periodically by using a reference thermometer (5.5).

The recommended interval to verify viscosity and density calibration is once a month; for temperature control once a year.

8.2 Instrument

Ensure that the instrument is leak tight and the measuring cells have been cleaned and dried before verification of the calibration is undertaken.

The verification of the calibration should be carried out according to the instrument manufacturer's instructions.

If, despite the correct condition of the instrument, the measured viscosity does not correspond to the certified value with a deviation of less than 0,35 %, then the viscosity measurement shall be adjusted according to the instrument manufacturer's instructions.

If, despite the correct condition of the instrument, the measured density does not correspond to the certified value with a deviation of less than $0,001 \text{ g/cm}^3$, then the density measurement shall be adjusted according to the instrument manufacturer's instructions.

If, despite the correct condition of the instrument, the measured temperature does not correspond to the certified value with a deviation of less than $0,03 \text{ }^\circ\text{C}$, then the temperature measurement shall be adjusted according to the instrument manufacturer's instructions.

9 Apparatus preparation

Ensure that the measuring cells are clean and dry before filling with the sample. The displayed density value of air can be used as an indicator.

Set the test temperature to $40,00 \text{ }^\circ\text{C}$. The Stabinger type viscosimeter automatically ensures temperature control and temperature equilibration of the sample.

If the test temperature is below the dew point of the ambient air, a suitable air-drying apparatus shall be connected to the air pump inlet of the instrument. When using external compressed air or inert gases, ensure that the dew point is lower than the lowest test temperature which can be expected.

Set the determinability limits for viscosity and density to $\pm 0,1 \%$ and $\pm 0,2 \text{ kg/m}^3$, respectively.

10 Procedure

10.1 Filling and cleaning

There are three different filling and cleaning procedures which may be used; details are given in [10.2](#), [10.3](#) and [10.4](#).

10.2 Manual filling and cleaning using syringes

10.2.1 Load a sufficient amount of sample to a syringe and remove any air bubbles. Ensure that for the first filling enough sample is used to fill all measuring cells. If sufficient sample is available, it is recommended to fill until the sample is visible in the drain hose. Leave the syringe connected to the instrument during the whole measurement procedure. Typically, a 5 ml syringe entirely filled with sample is enough for a measurement with the viscosimeter.

10.2.2 Switch on the motor for a short time (5 s to 10 s) to ensure that the measuring cells are pre-wetted. In this way any residues are also absorbed into the sample. By subsequently filling at least a further 0,25 ml of sample, the sample in the measuring cell is replaced by fresh sample. If there is enough sample available, it is recommended to refill 1 ml.

10.2.3 Start the motor again for the first determination of viscosity and density. The instrument automatically and continuously checks the stability of the measured values until the set criteria are met ([6.2.4](#)). Then the instrument requests to refill sample for the next determination. The procedure is the same as for pre-wetting the cells ([10.2.2](#)).

10.2.4 If the difference between the determinations is within the set determinability limits ([Clause 9](#)), then the values of the last determination shall be reported as valid measured results.

10.2.5 If it is not possible to obtain a valid result within an applicable number of repetitions, report the robust mean value and the standard deviation ($k = 2$; 95 % confidence level) together with a remark indicating that the determinability exceeded the limits stated in [Clause 9](#) for this product.