

SLOVENSKI STANDARD
SIST EN 60335-2-8:2016/oprAC:2023
01-junij-2023

Gospodinjski in podobni električni aparati - Varnost - 2-8. del: Posebne zahteve za električne brivnike, strižnike za lase in podobno - Dopnilo AC

Household and similar electrical appliances - Safety - Part 2-8: Particular requirements for shavers, hair clippers and similar appliances

Sicherheit elektrischer Geräte für den Hausgebrauch und ähnliche Zwecke - Teil 2-8: Besondere Anforderungen für Rasiergeräte, Haarschneidemaschinen und ähnliche Geräte

Appareils électrodomestiques et analogues - Sécurité - Partie 2-8: Exigences particulières pour les rasoirs, les tondeuses et appareils analogues

Ta slovenski standard je istoveten z: EN 60335-2-8:2015/prAC

ICS:

13.120	Varnost na domu	Domestic safety
97.170	Oprema za nego telesa	Body care equipment

SIST EN 60335-2-8:2016/oprAC:2023 en

EUROPEAN STANDARD
NORME EUROPÉENNE
EUROPÄISCHE NORM

DRAFT
EN 60335-2-8:2015

prAC

March 2023

ICS

English Version

Household and similar electrical appliances - Safety - Part 2-8: Particular requirements for shavers, hair clippers and similar appliances

Appareils électrodomestiques et analogues - Sécurité -
Partie 2-8: Exigences particulières pour les rasoirs, les
tondeuses et appareils analogues

Sicherheit elektrischer Geräte für den Hausgebrauch und
ähnliche Zwecke - Teil 2-8: Besondere Anforderungen für
Rasiergeräte, Haarschneidemaschinen und ähnliche Geräte

This draft amendment prAC, if approved, will modify the European Standard EN 60335-2-8:2015; it is submitted to CENELEC members for enquiry.

Deadline for CENELEC: 2023-06-23.

It has been drawn up by CLC/TC 61.

If this draft becomes an amendment, CENELEC members are bound to comply with the CEN/CENELEC Internal Regulations which stipulate the conditions for giving this amendment the status of a national standard without any alteration.

This draft amendment was established by CENELEC in three official versions (English, French, German).

A version in any other language made by translation under the responsibility of a CENELEC member into its own language and notified to the CEN-CENELEC Management Centre has the same status as the official versions.

CENELEC members are the national electrotechnical committees of Austria, Belgium, Bulgaria, Croatia, Cyprus, the Czech Republic, Denmark, Estonia, Finland, France, Germany, Greece, Hungary, Iceland, Ireland, Italy, Latvia, Lithuania, Luxembourg, Malta, the Netherlands, Norway, Poland, Portugal, Republic of North Macedonia, Romania, Serbia, Slovakia, Slovenia, Spain, Sweden, Switzerland, Türkiye and the United Kingdom.

Recipients of this draft are invited to submit, with their comments, notification of any relevant patent rights of which they are aware and to provide supporting documentation.

Warning : This document is not a European Standard. It is distributed for review and comments. It is subject to change without notice and shall not be referred to as a European Standard.



European Committee for Electrotechnical Standardization
Comité Européen de Normalisation Electrotechnique
Europäisches Komitee für Elektrotechnische Normung

CEN-CENELEC Management Centre: Rue de la Science 23, B-1040 Brussels

Contents	Page
1 Modification to the Introduction	4
2 Modification to Clause 2, "Normative references"	4
3 Modification to the annexes	4
4 Addition of Annexes ZZA and ZZB	7
5 Modification to the Bibliography	11

iTeh STANDARD PREVIEW
(standards.iteh.ai)

[SIST EN 60335-2-8:2016/oprAC:2023
https://standards.iteh.ai/catalog/standards/sist/6d939373-5304-41a5-8499-143cad77ca5c/sist-en-60335-2-8-2016-oprac-2023](https://standards.iteh.ai/catalog/standards/sist/6d939373-5304-41a5-8499-143cad77ca5c/sist-en-60335-2-8-2016-oprac-2023)

European foreword

This document (EN 60335-2-8:2015/prAC:2023) has been prepared by CLC/TC 61 "Safety of Household and similar electrical appliances".

This document is currently submitted to the Enquiry.

The following dates are proposed:

- latest date by which the existence of this document has to be announced at national level (doa) dor + 6 months
- latest date by which this document has to be implemented at national level by publication of an identical national standard or by endorsement (dop) dor + 12 months
- latest date by which the national standards conflicting with this document have to be withdrawn (dow) dor + 36 months (to be confirmed or modified when voting)

The numbering system for European clauses, subclauses, notes, tables, figures and annexes that are additional to those in the IEC standard are prefixed with the letter "Z".

This document has been prepared under a Standardization Request given to CENELEC by the European Commission and the European Free Trade Association, and supports essential requirements of EU Directive(s) / Regulation(s).

For the relationship with EU Directive(s) / Regulation(s), see informative Annexes ZZA and ZZB, which are an integral part of this document.

Secretary Note: All IM notes and relative boxes will be removed before publication. The boxes contains the relational/information for the changes.

Secretary Note for HAS consultants: The consolidated version of the IEC standards + EN Common modifications can be requested to the secretary: luca_reina@whirlpool.com

Secretary Note : This document is read in conjunction with:

- PR=23916 - EN 60335-2-8:2015
- PR=59930 - EN 60335-2-8:2015/A1:2016
- PR=68117- EN 60335-2-8:2015/FprA11:2022
- PR=70934 - EN 60335-2-8:2015/FprA2:2022
- PR=70936 - EN 60335-2-8:2015/FprA12:2022

Rational Issue manager:

During the plenary meeting of May 2022 we decide as follow (See SEC 2699 item 5.B):

The standards AM11, A2, A12 of EN 60335-2-8 will be published without the link to legislation. The EN 60335-2-8:2015+A1:2016 will not be removed from OJ. The IM will prepare the AM13 for solving the negative comments of HAS consultant and reintroduce the link to LVD and MD.

EN 60335-2-8:2015/prAC:2023 (E)**1 Modification to the Introduction**

Addition:

This European amendment A13 supplements or modifies the corresponding clauses of the standards below:

- EN 60335-1:2012+A11:2014+A13:2017+A1:2019+A14:2019+A2:2019+A15:2021+A16:2023 (Part 1)
- EN 60335-2-8:2015+A1:2016+A11:2022+A2:2022+A12:2022 (Part 2)

2 Modification to Clause 2, “Normative references”

Replace “EN ISO 3744” with “EN ISO 3744:2010”

Replace “EN ISO 4871” with “EN ISO 4871:2009”

Replace “EN ISO 11203” with “EN ISO 11203:2009”¹

3 Modification to the annexes

Annex ZE (normative)

Specific additional requirements for appliances and machines intended for commercial use

2 Normative references

Replace “EN ISO 5349-1” with “EN ISO 5349-1:2001”

Replace “EN ISO 5349-2” with “EN ISO 5349-2:2001”²

7 Marking and instructions**7.12.ZE1**

In the first dashed item of the sixth bullet item, replace “below 70 dB” with “ $L_{pA} \leq 70$ dB”.

In the second dashed item of the sixth bullet item, replace “below 70 dB” with “ $L_{pA} \leq 70$ dB” (two times).

Secretary Note: *the above sentences have been modified for answering to NOISE HAS comment.*

Replace “EN ISO 5349-1” with “EN ISO 5349-1:2001” and “EN ISO 5349-2” with “EN ISO 5349-2:2001”

22 Construction**22.ZE.10 Modification**

Replace the compliance criteria with the following: “Compliance is checked by the noise test code in Annex ZAA”

Secretary Note: *the above sentence has been modified for answering to NOISE HAS comment.*

¹ As amended by EN ISO 11203:2009/A1:2020.

² As amended by EN ISO 5349-2:2001/A1:2015.

Annex ZAA (normative)

Emission of acoustical noise

ZAA.1 Noise reduction

Replace the entire subclause with "void".

Secretary Note: the text of this sub clause ZAA.1 has been introduced with AM16 of EN 60335-1 in cl.22.ZE.10 of annex ZE. For avoiding duplication, it is better to remove the text in this sub-clause

ZAA.2.1 Emission sound pressure level determination

Replace the subclause with the following:

"The A-weighted emission sound pressure level shall be determined/measured in accordance with:

- EN ISO 11201:2010, grade 2 in cases where an essentially free field over a reflecting plane are given. In each case the microphone is placed at a distance of $1\text{m} \pm 0,05\text{m}$ from of the reference box as in Figure ZAA.101;

or

- EN ISO 11202:2010 or EN ISO 11204:2010, grade 2 in cases where verification measurements at the site of installation the A-weighted emission sound pressure level shall be measured. Alternatively, if grade 2 is not applicable, grade 3 shall be applied. The applicable standard and the grade shall be in line with the relevant specification given by the selected standard. In each case the microphone is placed at a distance of $1\text{ m} \pm 0,05\text{m}$ from of the reference box as in Figure ZAA.101;

or

- EN ISO 11203:2009, if the determination of the sound power level is required for the respective appliance with $Q=8\text{dB(A)}$. In such a case Clause 6.2.3 d) of EN ISO 11203:2009 shall be applied with the surface S being the measurement surface used for the sound power level determination. If the sound power level determination is based on a measurement method requiring a reverberant sound field, the surface S to define Q, shall be a parallelepiped measurement surface at a distance of 1 m from the reference box enclosing the source and assuming only one reflecting surface. Measurements shall be done by time averaging over the whole duration of the program selected."

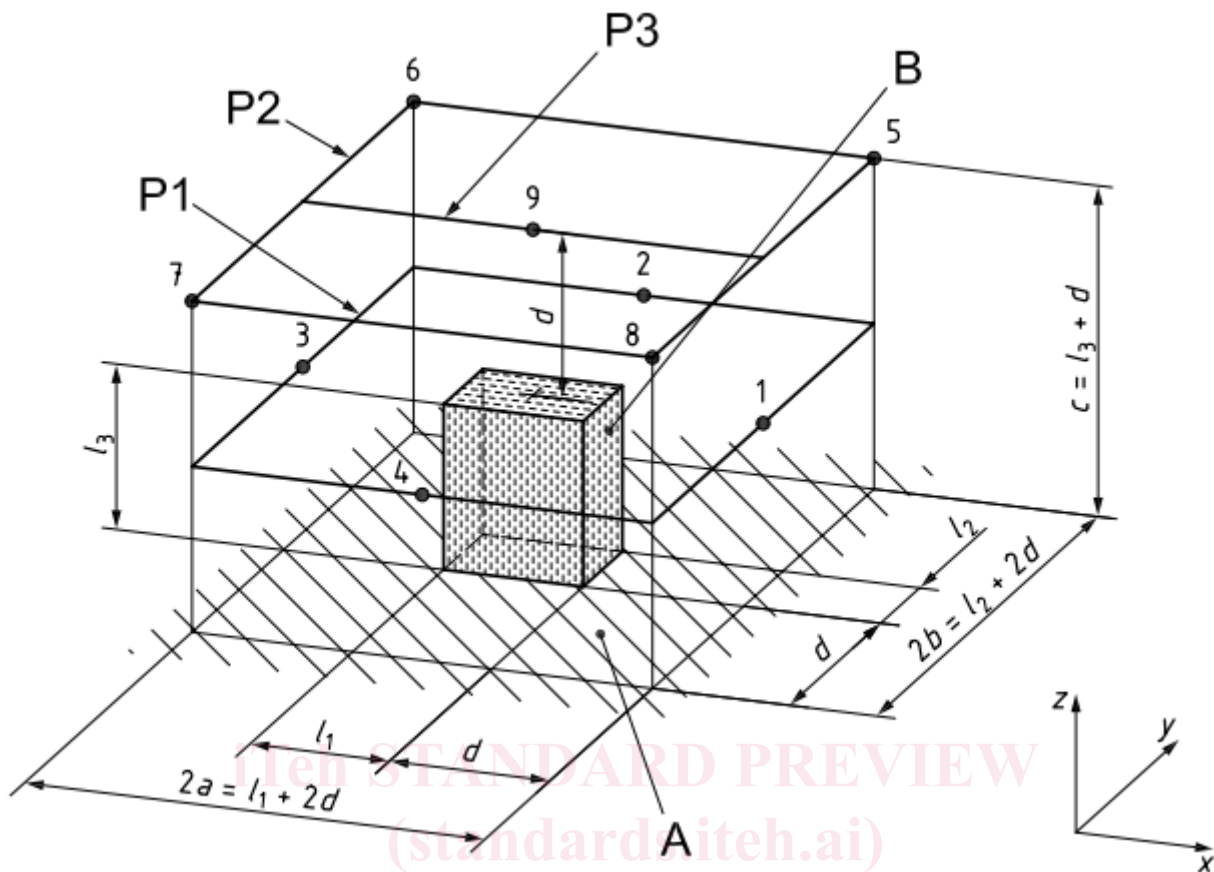
Secretary Note: The above replacement is in accordance with guideline prepared by WG6 for NOISE

ZAA.2.2 Sound power level determination

Replace "EN ISO 3744" with "EN ISO 3744:2010" (twice).

Replace Figure ZAA.101 and the key with the following:

"

**Key**

- Key microphone position
- A reflecting plane
- B reference box
- $2a$ measurement surface length
- $2b$ measurement surface width
- c measurement surface height
- d measurement distance
- l_1 reference box length
- l_2 reference box width
- l_3 reference box height
- P1 to P3 Path 1 to Path 3
- 1 ... 9 microphone positions lateral position of microphone (for operator's position)

Figure ZAA.101 — Measurement area and positions of the microphones for appliances”

Secretary Note: the above image and Key has been copied by standard EN ISO 3744 Figure C.7 for answering to NOISE HAS comment.

ZAA.2.5 Measurement uncertainties

Replace “EN ISO 4871” with “EN ISO 4871:2009” (three times).

ZAA.2.8 Declaration and verification of noise emission values

Replace “EN ISO 4871” with “EN ISO 4871:2009 (twice).

In the second paragraph starting with “It shall declare the emission sound pressure level ...” add the following at the end: “The declaration shall be stated in accordance with 7.12.ZE1”.

Secretary Note: *the above sentence has been modified for answering to NOISE HAS comment.*

Replace the NOTE with the following:

“NOTE K_{pA} and K_{WA} are expected to be 2,5 dB for grade 2 and 4 dB for grade 3 measurements.”

Secretary Note: *The above replacement is in accordance with guideline prepared by WG6 for NOISE*

4 Addition of Annexes ZZA and ZZB

Add the following Annexes ZZA and ZZB:

“

iTeh STANDARD PREVIEW
(standards.iteh.ai)

[SIST EN 60335-2-8:2016/oprAC:2023
https://standards.iteh.ai/catalog/standards/sist/6d939373-5304-41a5-8499-143cad77ca5c/sist-en-60335-2-8-2016-oprac-2023](https://standards.iteh.ai/catalog/standards/sist/6d939373-5304-41a5-8499-143cad77ca5c/sist-en-60335-2-8-2016-oprac-2023)

Annex ZZA (informative)

Relationship between this European Standard and the safety objectives of Directive 2014/35/EU [2014 OJ L96] aimed to be covered

Replace Annex ZZA in the Part 1 with the following:

This European Standard has been prepared under a Commission's standardization request relating to harmonized standards in the field of the Low Voltage Directive, M/511, to provide one voluntary means of conforming to safety objectives of Directive 2014/35/EU of the European Parliament and of the Council of 26 February 2014 on the harmonization of the laws of the Member States relating to the making available on the market of electrical equipment designed for use within certain voltage limits [2014 OJ L96].

Once this standard is cited in the Official Journal of the European Union under that Directive, compliance with the normative clauses of this standard given in Table ZZA.1 confers, within the limits of the scope of this standard, a presumption of conformity with the corresponding safety objectives of that Directive, and associated EFTA regulations.

Compliance with this standard in conjunction with Part 1 provides one means of conformity with the safety requirements.

**Table ZZA.1 — Correspondence between this European Standard
and Annex I of Directive 2014/35/EU [2014 OJ L96]**

Safety objectives of Directive 2014/35/EU	Clause(s) / sub-clause(s) of this EN	Remarks/ Notes
1 a)	Clauses 4, 7	None
1 b)	Clauses 4, 7	None
1 c)	Clauses 4, 7	None
2 a)	Clauses 6, 7, 8, 10, 11, 13, 14, 15, 16, 17, 19, 20, 21, 22, 23, 24, 25, 26, 27, 28, 29, 30, 31	None
2 b)	Clauses 6, 7, 8, 10, 11, 13, 14, 15, 16, 17, 19, 20, 21, 22, 23, 24, 25, 26, 27, 28, 29, 30, 31	None
2 c)	Clauses 6, 7, 11, 15, 17, 19, 20, 21, 22, 24, 25, 30, 32	None
2 d)	Clauses 6, 7, 8, 10, 11, 13, 14, 15, 16, 17, 19, 20, 21, 22, 23, 24, 25, 26, 27, 28, 29, 30, 31	None
3 a)	Clauses 6, 7, 11, 17, 19, 20, 21, 22	None
3 b)	Clauses 7, 11, 15, 19, 22, 25, 32	None
3 c)	Clauses 6, 7, 10, 11, 14, 17, 19, 21, 22	None

WARNING 1 — Presumption of conformity stays valid only as long as a reference to this European Standard is maintained in the list published in the Official Journal of the European Union. Users of this standard should consult frequently the latest list published in the Official Journal of the European Union.

WARNING 2 — Other Union legislation may be applicable to the product(s) falling within the scope of this standard.