



SLOVENSKI STANDARD
oSIST prEN IEC 60061-PR2022-2:2022
01-november-2022

**Vznožki in okovi sijalk skupaj s kalibri za nadzorovanje izmenljivosti in varnosti -
Predlog popravka 7006-187B-2**

Lamp caps and holders together with gauges for the control of interchangeability and safety - Proposal for correction of 7006-187B-2

iTeh STANDARD PREVIEW
(standards.iteh.ai)

[oSIST prEN IEC 60061-PR2022-2:2022](https://standards.iteh.ai/catalog/standards/sist/47c2571227317/osist-pr-en-iec-60061-pr2022-2-2022)
<https://standards.iteh.ai/catalog/standards/sist/47c2571227317/osist-pr-en-iec-60061-pr2022-2-2022>
Ta slovenski standard je istoveten z: prEN IEC 60061-PR2022-2:2022

ICS:

29.140.10 Grla in držala žarnic Lamp caps and holders

oSIST prEN IEC 60061-PR2022-2:2022 en



34B/2154/CDV

COMMITTEE DRAFT FOR VOTE (CDV)

PROJECT NUMBER:

IEC 60061-PR2022-2 ED3

DATE OF CIRCULATION:

2022-09-16

CLOSING DATE FOR VOTING:

2022-12-09

SUPERSEDES DOCUMENTS:

34B/2152/RR

IEC SC 34B : LAMP CAPS AND HOLDERS	
SECRETARIAT: Germany	SECRETARY: Mr Hans Finke
OF INTEREST TO THE FOLLOWING COMMITTEES:	PROPOSED HORIZONTAL STANDARD: <input type="checkbox"/> Other TC/SCs are requested to indicate their interest, if any, in this CDV to the secretary.
FUNCTIONS CONCERNED: <input type="checkbox"/> EMC <input type="checkbox"/> ENVIRONMENT <input type="checkbox"/> QUALITY ASSURANCE <input checked="" type="checkbox"/> SAFETY	
<input checked="" type="checkbox"/> SUBMITTED FOR CENELEC PARALLEL VOTING Attention IEC-CENELEC parallel voting The attention of IEC National Committees, members of CENELEC, is drawn to the fact that this Committee Draft for Vote (CDV) is submitted for parallel voting. The CENELEC members are invited to vote through the CENELEC online voting system.	<input type="checkbox"/> NOT SUBMITTED FOR CENELEC PARALLEL VOTING

This document is still under study and subject to change. It should not be used for reference purposes.

Recipients of this document are invited to submit, with their comments, notification of any relevant patent rights of which they are aware and to provide supporting documentation.

TITLE:

Lamp caps and holders together with gauges for the control of interchangeability and safety - Proposal for correction of 7006-187B-2

PROPOSED STABILITY DATE: 2025

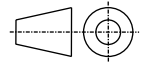
NOTE FROM TC/SC OFFICERS:

This CDV is established by following the new maintenance procedure for the IEC 60061 series as agreed by SMB (see SMB/7262/QP and SMB/7262A/RV).

Copyright © 2022 International Electrotechnical Commission, IEC. All rights reserved. It is permitted to download this electronic file, to make a copy and to print out the content for the sole purpose of preparing National Committee positions. You may not copy or "mirror" the file or printed version of the document, or any part of it, for any other purpose without permission in writing from IEC.

GO” GAUGE FOR CONTACT POSITION

CALIBRE "ENTRE" POUR LA POSITION DU CONTACT GR6d-...

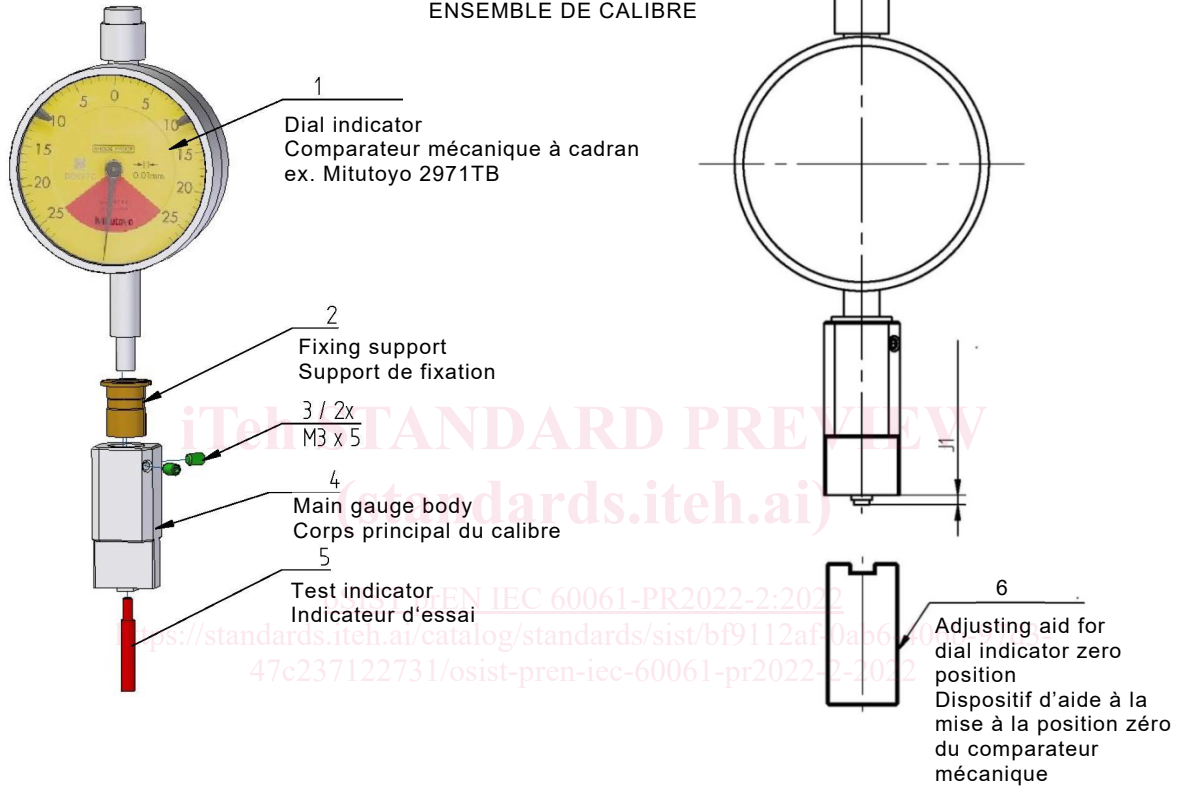


Dimensions in millimetres - Dimensions en millimètres

The drawing is intended only to illustrate the essential dimensions of the gauge.
Le dessin a pour seul but d'illustrer les dimensions essentielles du calibre.

For details of caps GR6d-..., see sheet 7004-187.
Pour les détails des culots GR6d-..., voir feuille 7004-187.

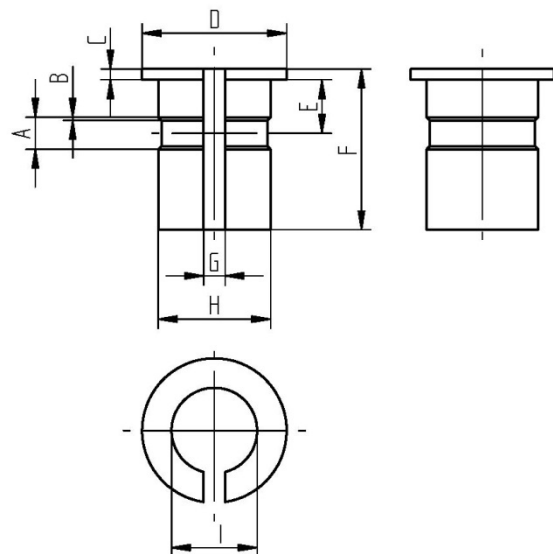
**GAUGE ASSEMBLY
ENSEMBLE DE CALIBRE**



IEC

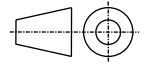
FIXING SUPPORT/SUPPORT DE FIXATION (2)

Reference Référence	Dimension	Tolerance Tolérance
A	3	+ 0,01 - 0,01
B	0,3 x 45°	+ 0,02 0
C	1,0	0 - 0,02
D	13,5	+ 0,1 - 0,1
E	5,0	+ 0,01 - 0,01
F	15,0	+ 0,01 - 0,01
G	2,0	+ 0,01 - 0,01
H	10,5	+ 0,01 - 0,01
I	∅ 8	+ 0,01 - 0,01
J1	2,4 2,5	+ 0,01 - 0,01



GO" GAUGE FOR CONTACT POSITION

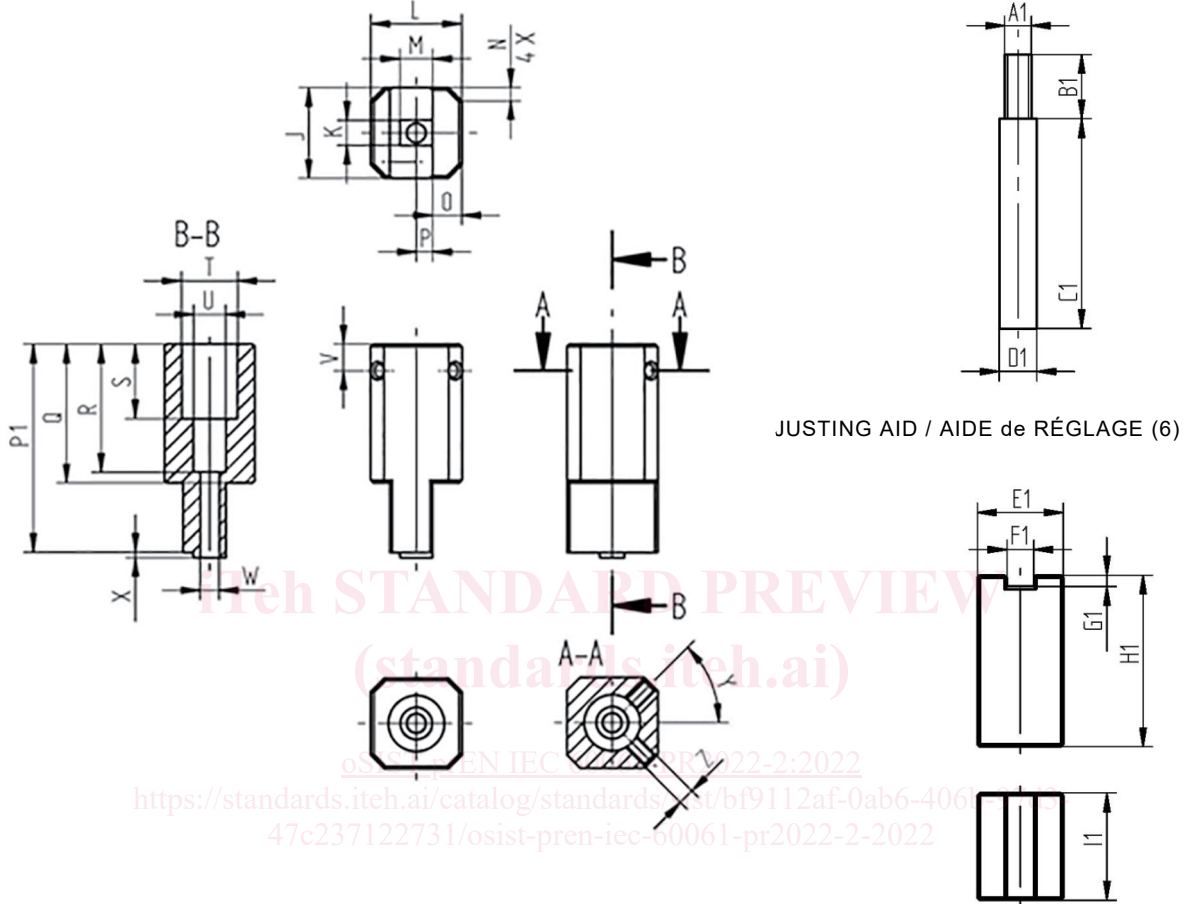
**CALIBRE "ENTRE" POUR
LA POSITION DU CONTACT
GR6d-...**



Dimensions in millimetres - Dimensions en millimètres

MAIN GAUGE BODY/ CORPS PRINCIPAL DU CALIBRE (4)

TEST INDICATOR/ INDICATEUR D'ESSAI (5)



Reference Référence	Dimension	Tolerance Tolérance
N	2,5 x 45°	+ 0,01 - 0,01
O	5,45	+ 0,01 - 0,01
P	3,05	+ 0,01 - 0,01
P1	39,0	+ 0,01 - 0,01
Q	26,0	+ 0,01 - 0,01
R	24,0	+ 0,01 - 0,01
S	14,0	+ 0,01 - 0,01
T	∅ 10,5	+ 0,01 - 0,01
U	∅ 6,0	+ 0,01 - 0,01
V	5,0	+ 0,1 - 0,1
W	3,6	+ 0,02 - 0,02
X	1,0	+ 0,05 - 0,05
Y	45°	+ 2° - 2°
Z	M3	

Reference Référence	Dimension	Tolerance Tolérance
A1	M 2,5	
B1	6,0	+ 0,01 - 0,01
C1 (1)	19,6	+ 0,1 - 0,1
D1	3,5	+ 0,02 - 0,02
E1	16,0	+ 0,1 - 0,1
F1	5,0	+ 0,01 - 0,01
G1	2,1	+ 0,01 - 0,01
H1	15,0	+ 0,1 - 0,1
I1	20,0	+ 0,1 - 0,1
J	17,0	+ 0,1 - 0,1
K	4,7	0 - 0,02
L	17,0	+ 0,1 - 0,1
M	6,1	0 - 0,02