



SLOVENSKI STANDARD
oSIST prEN ISO 4803:2023
01-januar-2023

Laboratorijska steklovina - Borosilikatne steklene cevi (ISO 4803:2021)

Laboratory glassware - Borosilicate glass tubing (ISO 4803:2021)

Laborgeräte aus Glas - Rohre aus Borosilicatglas (ISO 4803:2021)

Verrerie de laboratoire - Tubes en verre borosilicaté (ISO 4803:2021)

Ta slovenski standard je istoveten z: prEN ISO 4803

<https://standards.iteh.ai/catalog/standards/sist/0a96d743-fd9b-4213-8eca-de9015614f62/osist-pren-iso-4803-2023>

ICS:

71.040.20	Laboratorijska posoda in aparati	Laboratory ware and related apparatus
-----------	----------------------------------	---------------------------------------

oSIST prEN ISO 4803:2023

en,fr,de

INTERNATIONAL STANDARD

ISO 4803

Second edition
2021-10

Laboratory glassware — Borosilicate glass tubing

Verrerie de laboratoire — Tubes en verre borosilicaté

iTeh STANDARD PREVIEW
(standards.iteh.ai)

[oSIST prEN ISO 4803:2023](https://standards.iteh.ai/catalog/standards/sist/0a96d743-fd9b-4213-8eca-de90156f4f62/osist-pren-iso-4803-2023)

<https://standards.iteh.ai/catalog/standards/sist/0a96d743-fd9b-4213-8eca-de90156f4f62/osist-pren-iso-4803-2023>



Reference number
ISO 4803:2021(E)

© ISO 2021

iTeh STANDARD PREVIEW (standards.iteh.ai)

[oSIST prEN ISO 4803:2023](https://standards.iteh.ai/catalog/standards/sist/0a96d743-fd9b-4213-8eca-de90156f4f62/osist-pren-iso-4803-2023)

<https://standards.iteh.ai/catalog/standards/sist/0a96d743-fd9b-4213-8eca-de90156f4f62/osist-pren-iso-4803-2023>



COPYRIGHT PROTECTED DOCUMENT

© ISO 2021

All rights reserved. Unless otherwise specified, or required in the context of its implementation, no part of this publication may be reproduced or utilized otherwise in any form or by any means, electronic or mechanical, including photocopying, or posting on the internet or an intranet, without prior written permission. Permission can be requested from either ISO at the address below or ISO's member body in the country of the requester.

ISO copyright office
CP 401 • Ch. de Blandonnet 8
CH-1214 Vernier, Geneva
Phone: +41 22 749 01 11
Email: copyright@iso.org
Website: www.iso.org

Published in Switzerland

Contents

Page

Foreword	iv
Introduction	v
1 Scope	1
2 Normative references	1
3 Terms and definitions	1
4 Designation	1
5 Material	1
5.1 General.....	1
5.2 Hydrolytic resistance.....	1
5.3 Thermal coefficient of expansion.....	1
6 Range of sizes and tolerances	2
6.1 Diameter and wall thickness.....	2
6.1.1 Determination of outer diameter.....	2
6.1.2 Determination of wall thickness.....	2
6.2 Wall thickness difference (Siding).....	2
6.3 Length.....	2
6.4 Straightness.....	2
6.5 Ovality.....	4
Bibliography	8

iteh STANDARD PREVIEW
(standards.iteh.ai)

[oSIST prEN ISO 4803:2023](https://standards.iteh.ai/catalog/standards/sist/0a96d743-fd9b-4213-8eca-de90156f4f62/osist-pren-iso-4803-2023)

<https://standards.iteh.ai/catalog/standards/sist/0a96d743-fd9b-4213-8eca-de90156f4f62/osist-pren-iso-4803-2023>

ISO 4803:2021(E)

Foreword

ISO (the International Organization for Standardization) is a worldwide federation of national standards bodies (ISO member bodies). The work of preparing International Standards is normally carried out through ISO technical committees. Each member body interested in a subject for which a technical committee has been established has the right to be represented on that committee. International organizations, governmental and non-governmental, in liaison with ISO, also take part in the work. ISO collaborates closely with the International Electrotechnical Commission (IEC) on all matters of electrotechnical standardization.

The procedures used to develop this document and those intended for its further maintenance are described in the ISO/IEC Directives, Part 1. In particular, the different approval criteria needed for the different types of ISO documents should be noted. This document was drafted in accordance with the editorial rules of the ISO/IEC Directives, Part 2 (see www.iso.org/directives).

Attention is drawn to the possibility that some of the elements of this document may be the subject of patent rights. ISO shall not be held responsible for identifying any or all such patent rights. Details of any patent rights identified during the development of the document will be in the Introduction and/or on the ISO list of patent declarations received (see www.iso.org/patents).

Any trade name used in this document is information given for the convenience of users and does not constitute an endorsement.

For an explanation of the voluntary nature of standards, the meaning of ISO specific terms and expressions related to conformity assessment, as well as information about ISO's adherence to the World Trade Organization (WTO) principles in the Technical Barriers to Trade (TBT), see www.iso.org/iso/foreword.html.

This document was prepared by Technical Committee ISO/TC 48, *Laboratory equipment*.

This second edition cancels and replaces the first edition (ISO 4803:1978), which has been technically revised.

The main changes compared to the previous edition are as follows:

- update of the dimensions and tolerances;
- inclusion of a comprehensive and precise description of the mentioned quality characteristics and determination methods.

Any feedback or questions on this document should be directed to the user's national standards body. A complete listing of these bodies can be found at www.iso.org/members.html.

Introduction

Borosilicate glass is a class of glass, which is classified in ISO 12775. Borosilicate glasses show properties such as a very high hydrolytic resistance, a very high acid resistance and a medium alkali resistance. Borosilicate glasses can contain alkali earths or be free of alkali earths. The alkali-earth free borosilicate glasses have a very low coefficient of mean linear thermal expansion α of $3,3 \times 10^{-6} \text{ K}^{-1}$ (in the temperature range from 20 °C to 300 °C). They were first developed in 1887 and constitute since then an industrial standard, which is reflected by the standardization of the composition, chemical and physical properties of the material in ISO 3585.

These special characteristics make this glass preferable for technical purposes with high chemical and thermo shock resistance. The field of application is mainly laboratories for chemical, pharmaceutical and food industries as well as other technical applications where these properties are needed.

iTeh STANDARD PREVIEW
(standards.iteh.ai)

[oSIST prEN ISO 4803:2023](https://standards.iteh.ai/catalog/standards/sist/0a96d743-fd9b-4213-8eca-de90156f4f62/osist-pren-iso-4803-2023)

<https://standards.iteh.ai/catalog/standards/sist/0a96d743-fd9b-4213-8eca-de90156f4f62/osist-pren-iso-4803-2023>

Laboratory glassware — Borosilicate glass tubing

1 Scope

This document specifies requirements for borosilicate 3,3 glass tubing according to ISO 3585 for laboratory apparatus in an outer diameter range from 4 mm to 300 mm. This document defines dimensions, material, denomination, designation, requirements and inspection methods.

2 Normative references

The following documents are referred to in the text in such a way that some or all of their content constitutes requirements of this document. For dated references, only the edition cited applies. For undated references, the latest edition of the referenced document (including any amendments) applies.

ISO 719, *Glass — Hydrolytic resistance of glass grains at 98 °C — Method of test and classification*

ISO 3585, *Borosilicate glass 3.3 — Properties*

3 Terms and definitions

No terms and definitions are listed in this document.

ISO and IEC maintain terminology databases for use in standardization at the following addresses:

- ISO Online browsing platform: available at <https://www.iso.org/obp>
- IEC Electropedia: available at <https://www.electropedia.org/>

4 Designation

Tubing shall be designated by type of glass, outer diameter, wall thickness and name of the manufacturer. The three categories of wall thickness specified shall be denoted as light, medium and heavy.

5 Material

5.1 General

Tubing shall be made from borosilicate glass conforming to the requirements of ISO 3585. It shall be free from harmful tensions and their applicability shall neither be impaired by striae nor other glass defects.

5.2 Hydrolytic resistance

The amount of alkali extracted from the glass, tested in accordance with ISO 719, shall not be greater than 31 µg of Na₂O g⁻¹.

5.3 Thermal coefficient of expansion

The glass shall have a thermal coefficient of expansion of $(3,3 \pm 0,1) \times 10^{-6} \text{ K}^{-1}$ over a temperature range of 20 °C to 300 °C.

ISO 4803:2021(E)

6 Range of sizes and tolerances

6.1 Diameter and wall thickness

6.1.1 Determination of outer diameter

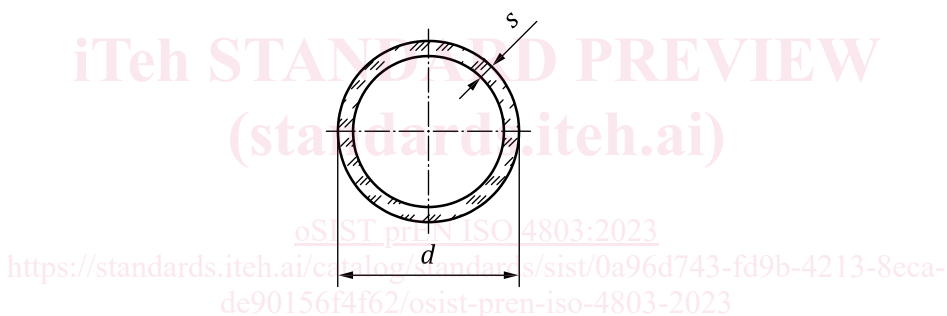
The tube outer diameter, d , (see [Figure 1](#)) shall be measured as the largest distance of two points on the tube surface in a plane perpendicular to the tube longitudinal axis. The tubes shall conform in all points with the dimensions and tolerances given in [Table 1](#) and [Table 2](#).

The outer diameter of the tube can be determined, for example, between two parallel cutting edges perpendicular to the tube's longitudinal axis.

6.1.2 Determination of wall thickness

The wall thickness, s , is the shortest connecting distance between the inner and outer tube's surfaces in a plane vertically to the tube's longitudinal axis. The tubes shall conform with the dimensions set out in [Table 1](#) and [Table 2](#) at each measuring point on the tube.

The measurement of the wall thickness can be carried out, for example, between two hemispherical measuring points, where the radius of the inner measuring point shall be smaller than the inner radius of the tube.



Key

- d tube outer diameter
 s wall thickness

Figure 1 — Tube with dimensions

6.2 Wall thickness difference (Siding)

The wall thickness difference shall be measured as the difference between the largest and smallest wall thickness in a cross-section. For each tube's cross-section, the difference between the largest and smallest wall thickness shall not exceed 12 % of the wall thickness as specified in [Table 1](#) and [Table 2](#) without exceeding the wall thickness tolerance.

The wall thickness shall be determined in accordance with [6.1.2](#).

6.3 Length

Tubing should be supplied in accordance with the values given in [Table 3](#).

6.4 Straightness

The straightness tolerance shall not exceed the values given in [Table 3](#).