

FINAL
DRAFT

INTERNATIONAL
STANDARD

ISO/FDIS
22074-2

ISO/TC 269/SC 1

Secretariat: AFNOR

Voting begins on:
2020-12-30

Voting terminates on:
2021-02-24

Railway infrastructure — Rail fastening systems —

Part 2: Test method for longitudinal rail restraint

iTeh STANDARD PREVIEW
*Infrastructure ferroviaire — Systèmes de fixation du rail —
Partie 2: Méthode d'essai pour la détermination de résistance
longitudinale au glissement*
(standards.iteh.ai)

[ISO/FDIS 22074-2](https://standards.iteh.ai/catalog/standards/sist/bb194e05-31d5-41cd-8d24-cca2981389bd/iso-fdis-22074-2)

<https://standards.iteh.ai/catalog/standards/sist/bb194e05-31d5-41cd-8d24-cca2981389bd/iso-fdis-22074-2>

RECIPIENTS OF THIS DRAFT ARE INVITED TO SUBMIT, WITH THEIR COMMENTS, NOTIFICATION OF ANY RELEVANT PATENT RIGHTS OF WHICH THEY ARE AWARE AND TO PROVIDE SUPPORTING DOCUMENTATION.

IN ADDITION TO THEIR EVALUATION AS BEING ACCEPTABLE FOR INDUSTRIAL, TECHNOLOGICAL, COMMERCIAL AND USER PURPOSES, DRAFT INTERNATIONAL STANDARDS MAY ON OCCASION HAVE TO BE CONSIDERED IN THE LIGHT OF THEIR POTENTIAL TO BECOME STANDARDS TO WHICH REFERENCE MAY BE MADE IN NATIONAL REGULATIONS.



Reference number
ISO/FDIS 22074-2:2020(E)

© ISO 2020

iTeh STANDARD PREVIEW
(standards.iteh.ai)

ISO/FDIS 22074-2
<https://standards.iteh.ai/catalog/standards/sist/bb194e05-31d5-41cd-8d24-eca2981389bd/iso-fdis-22074-2>



COPYRIGHT PROTECTED DOCUMENT

© ISO 2020

All rights reserved. Unless otherwise specified, or required in the context of its implementation, no part of this publication may be reproduced or utilized otherwise in any form or by any means, electronic or mechanical, including photocopying, or posting on the internet or an intranet, without prior written permission. Permission can be requested from either ISO at the address below or ISO's member body in the country of the requester.

ISO copyright office
CP 401 • Ch. de Blandonnet 8
CH-1214 Vernier, Geneva
Phone: +41 22 749 01 11
Email: copyright@iso.org
Website: www.iso.org

Published in Switzerland

Contents

	Page
Foreword	iv
1 Scope	1
2 Normative references	1
3 Terms and definitions	1
4 Symbols	1
5 Principle	2
6 Apparatus	2
7 Test specimens	2
7.1 Rail support	2
7.2 Fastening	3
8 Procedure	3
8.1 Test temperature	3
8.2 Preparation for test	3
8.3 Loading	4
8.3.1 Longitudinal rail restraint	4
8.3.2 Longitudinal stiffness	5
8.3.3 Parameters for track-bridge interaction calculations	5
8.4 Calculation	6
8.4.1 Longitudinal rail restraint	6
8.4.2 Longitudinal stiffness	6
8.4.3 Parameters for track-bridge interaction calculations	6
8.5 Visual inspection	6
9 Test report	6
Bibliography	8

Foreword

ISO (the International Organization for Standardization) is a worldwide federation of national standards bodies (ISO member bodies). The work of preparing International Standards is normally carried out through ISO technical committees. Each member body interested in a subject for which a technical committee has been established has the right to be represented on that committee. International organizations, governmental and non-governmental, in liaison with ISO, also take part in the work. ISO collaborates closely with the International Electrotechnical Commission (IEC) on all matters of electrotechnical standardization.

The procedures used to develop this document and those intended for its further maintenance are described in the ISO/IEC Directives, Part 1. In particular, the different approval criteria needed for the different types of ISO documents should be noted. This document was drafted in accordance with the editorial rules of the ISO/IEC Directives, Part 2 (see www.iso.org/directives).

Attention is drawn to the possibility that some of the elements of this document may be the subject of patent rights. ISO shall not be held responsible for identifying any or all such patent rights. Details of any patent rights identified during the development of the document will be in the Introduction and/or on the ISO list of patent declarations received (see www.iso.org/patents).

Any trade name used in this document is information given for the convenience of users and does not constitute an endorsement.

For an explanation of the voluntary nature of standards, the meaning of ISO specific terms and expressions related to conformity assessment, as well as information about ISO's adherence to the World Trade Organization (WTO) principles in the Technical Barriers to Trade (TBT) see www.iso.org/iso/foreword.html.

This document was prepared by Technical Committee ISO/TC 269, *Railway applications*, Subcommittee SC 1, *Infrastructure*.

A list of all parts in the ISO 22074 series can be found on the ISO website.

Any feedback or questions on this document should be directed to the user's national standards body. A complete listing of these bodies can be found at www.iso.org/members.html.

Railway infrastructure — Rail fastening systems —

Part 2:

Test method for longitudinal rail restraint

1 Scope

This standard specifies the laboratory test procedure to determine:

- a) the maximum longitudinal force that can be applied to a rail, secured to a sleeper, bearer or element of ballastless track by a rail fastening assembly, without non-elastic displacement of the rail occurring, or the longitudinal stiffness at a specified longitudinal displacement of a specimen of embedded rail with an adhesive fastening system, and for any type of fastening;
- b) the shear displacement and slip data required for track-bridge interaction calculations.

2 Normative references

The following documents are referred to in the text in such a way that some or all of their content constitutes requirements of this document. For dated references, only the edition cited applies. For undated references, the latest edition of the referenced document (including any amendments) applies.

ISO 22074-1, *Railway infrastructure — Rail fastening systems — Part 1: Vocabulary*

ISO 7500-1:2018, *Metallic materials — Calibration and verification of static uniaxial testing machines — Part 1: Tension/compression testing machines — Calibration and verification of the force-measuring system*

ISO 9513:2012, *Metallic materials — Calibration of extensometer systems used in uniaxial testing*

3 Terms and definitions

For the purposes of this document, the terms and definitions given in ISO 22074-1 apply.

ISO and IEC maintain terminological databases for use in standardization at the following addresses:

- ISO Online browsing platform: available at <https://www.iso.org/obp>
- IEC Electropedia: available at <http://www.electropedia.org/>

4 Symbols

Symbol	Description	Unit
D_1	maximum longitudinal displacement of rail during each cycle of loading	mm
D_2	residual longitudinal displacement of rail after removal of load	mm
D_3	elastic longitudinal displacement of rail prior to slip	mm
D_r	maximum longitudinal displacement of embedded rail with adhesive fastening system	mm
F	maximum axial load on the rail without non-elastic displacement occurring	kN
F_{slip}	axial load at which gross slip occurs	kN

k_L	longitudinal stiffness of embedded rail with adhesive fastening system	kN/mm per m
k	longitudinal plastic shear resistance of the track	kN/m
L_T	sample length of embedded rail	m
s	Sleeper or support spacing in track for discrete fastening systems or is equal to L_T for mechanical or adhesive continuous fastening systems.	m
u_0	elastic displacement of rail indicated in bi-linear approximation to the force-displacement diagram	mm

5 Principle

A longitudinal load is applied by pulling or pushing a rail fixed to a sleeper, bearer or element of ballastless track by one or two rail fastening assemblies or by an embedded rail fastening system while the support is restrained. Movement of the rail relative to the support is recorded and the load removed when the rail slips or the specified longitudinal displacement occurs.

Longitudinal rail restraint or longitudinal stiffness are obtained from a plot of load versus displacement.

6 Apparatus

6.1 Rail, a short length from the section for which the fastening system under test has been designed. The rail shall be unlaminated and neither have loose rust on the surface nor be polished on the foot.

For surface mounted rail, the length of rail used for testing shall be approximately 0,5 m. For embedded rail, the rail is part of the test specimen and its length is specified in 7.1.

6.2 Actuator, for testing a single rail fastening system, capable of applying a force of at least 25 kN to the longitudinal axis of the rail as shown in Figure 1.

For testing two rail fastenings simultaneously, or for testing embedded rails, a higher actuator capacity may be required.

6.3 Contacting displacement measuring instruments, optional. If used, they shall comply with ISO 9513:2012, Table 2, class 2 and shall be capable of measuring the longitudinal displacement of the rail within $\pm 0,05$ mm.

6.3 Non-contacting displacement measuring instruments, optional. If used, they shall be calibrated to ensure that they are capable of measuring the longitudinal displacement of the rail within $\pm 0,05$ mm.

6.4 Force measuring instruments, which shall conform to ISO 7500-1:2018, class 1 over the required range of force.

6.5 Calibration verification equipment (for actuators and measuring instruments), whose traceability shall be certified to standards using the international system of units (SI).

7 Test specimens

7.1 Rail support

A sleeper, half sleeper, bearer or element of ballastless track.

The rail support shall be complete with cast-in fastening components or holes, and rail seats, as made without modification for this test and shall incorporate embedded rail where appropriate,

For surface-mounted fastening systems which have low frequency dynamic stiffness ≤ 50 MN/m, when tested in accordance with ISO 22074-8, it can be necessary to carry out the test over two rail seats to provide greater tilting stability (see 8.3.1).

For surface-mounted fastening systems incorporating continuous support, the test shall be performed using a length of pad equal in length to the design spacing of the fastening along the rail. The piece of rail used for the test shall be at least as long as the piece of pad.

For embedded rail, the length of embedment shall be the typical spacing of fastenings for the relevant fastening category and the piece of rail used for the test shall be at least as long as the embedment.

7.2 Fastening

The complete fastening assembly includes all components and baseplate, where appropriate.

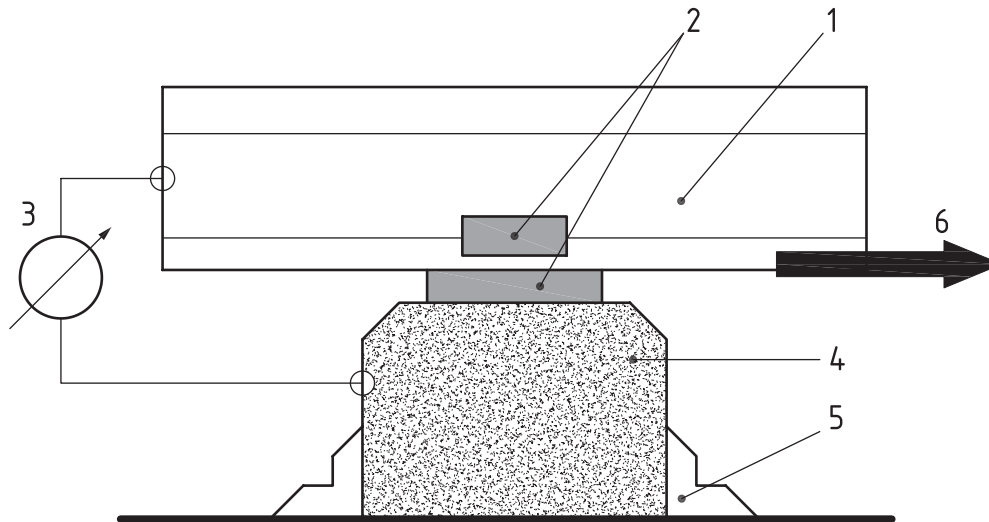
8 Procedure

8.1 Test temperature

The test shall be carried out in a room or enclosure maintained at (25 ± 5) °C. All components used in the test shall be kept at this temperature for no less than 4 h before starting the test.

8.2 Preparation for test (standards.iteh.ai)

If not already in place, fix the short length of rail to one or two rail seats as necessary using the fastening components as assembled in track. Place the rail support on a rigid base and restrict any tilting of the support or movement parallel to the rail as shown in [Figure 1](#).



Key

- 1 rail as described in 6.1
- 2 fastening assembly including rail pad
- 3 load-displacement measuring and recording instruments
- 4 rail support as described in 7.1
- 5 rigid support and restraint to prevent rotation of the rail support
- 6 applied force (pulling or pushing)

STANDARD PREVIEW
(standards.iteh.ai)

Figure 1 — Test arrangement

For fastenings which hold the rail foot, the force application should be at the rail foot and for fastenings which hold the rail web the force should be applied at the rail centroid.

8.3 Loading

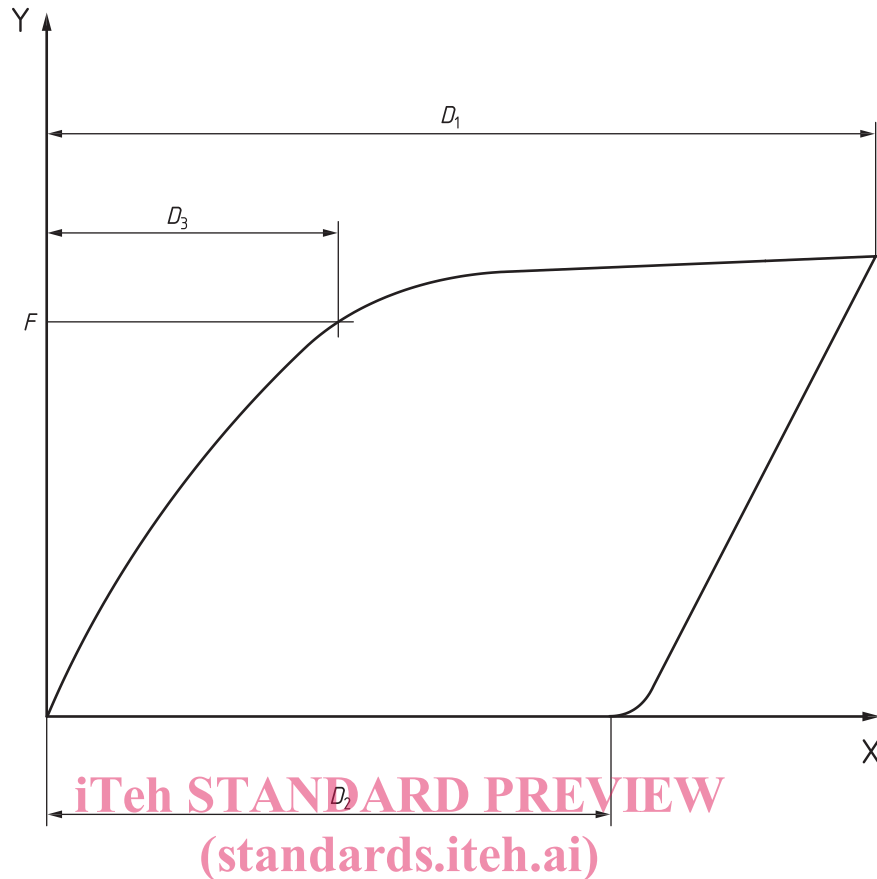
8.3.1 Longitudinal rail restraint

Apply a force, increasing at a constant rate of (10 ± 1) kN/min to one end of the rail. From the start of this loading cycle, automatically measure the load and longitudinal displacement of the rail relative to the sleeper.

The force may be applied either to pull or to push the rail relative to the support. The rail should not tilt as the load is applied. It should move only in a direction parallel to its longitudinal axis.

When the rail slips in the fastening assembly or if the load is more than four times the performance requirement, rapidly reduce the load to zero and continue measuring the rail displacement for two minutes. Without removing or adjusting the fastening assembly in any way, repeat the above cycle a further three times with three-minute intervals in the unloaded condition between each cycle. Plot the applied load against rail displacement for each cycle as shown in Figure 2.

If $D_2 \leq 0,5$ mm and the force does not exceed four times the performance requirement, the loading cycle is invalid and shall be repeated.

**Key**

X displacement (mm)

Y longitudinal force (kN)

ISO/FDIS 22074-2
<https://standards.iteh.ai/catalog/standards/sist/bb194e05-31d5-41cd-8d24-eca2981389bd/iso-fdis-22074-2>

Figure 2 — Load-displacement diagram for one loading cycle**8.3.2 Longitudinal stiffness**

For embedded rails with an adhesive fastening system, follow the loading and measuring procedure in 8.3.1 and continue until D_3 reaches the required value, D_r . Then rapidly reduce the load to zero and continue measuring the rail displacement for two minutes. Repeat the loading a further three times with three-minute intervals in the unloaded condition between each cycle.

8.3.3 Parameters for track-bridge interaction calculations

If data are required for track-structure interaction calculations such as those for long bridges, the load should be applied for a fifth time, but on this occasion the load should be increased until there is gross slip of the rail through the fastening system. Then plot a curve of applied load against rail displacement and record the load applied, F_{slip} (kN) at which the rail slides continuously through the fastening.

For low restraint fastening systems, the sustained load, F_{slip} , may be less than the maximum load achieved just before slip occurs.

This procedure is not applicable to adhesively fastened embedded rails.