



Designation: D5986 – 96(Reapproved 2011)

Standard Test Method for Determination of Oxygenates, Benzene, Toluene, C₈–C₁₂ Aromatics and Total Aromatics in Finished Gasoline by Gas Chromatography/Fourier Transform Infrared Spectroscopy¹

This standard is issued under the fixed designation D5986; the number immediately following the designation indicates the year of original adoption or, in the case of revision, the year of last revision. A number in parentheses indicates the year of last reapproval. A superscript epsilon (ϵ) indicates an editorial change since the last revision or reapproval.

1. Scope

1.1 This test method covers the quantitative determination of oxygenates: methyl-t-butylether (MTBE), di-*isopropyl* ether (DIPE), ethyl-t-butylether (ETBE), t-amylmethyl ether (TAME), methanol (MeOH), ethanol (EtOH), 2-propanol (2-PrOH), t-butanol (t-BuOH), 1-propanol (1-PrOH), 2-butanol (2-BuOH), i-butanol (i-BuOH), 1-butanol (1-BuOH); benzene, toluene and C₈–C₁₂ aromatics, and total aromatics in finished motor gasoline by gas chromatography/Fourier Transform infrared spectroscopy (GC/FTIR).

1.2 This test method covers the following concentration ranges: 0.1–20 volume % per component for ethers and alcohols; 0.1–2 volume % benzene; 1–15 volume % for toluene, 10–40 volume % total (C₆–C₁₂) aromatics.

1.3 The method has not been tested by ASTM for refinery individual hydrocarbon process streams, such as reformates, fluid catalytic cracking naphthas, etc., used in blending of gasolines.

1.4 The values stated in SI units are to be regarded as standard. No other units of measurement are included in this standard.

1.5 *This standard does not purport to address all of the safety concerns, if any, associated with its use. It is the responsibility of the user of this standard to establish appropriate safety and health practices and determine the applicability of regulatory limitations prior to use.*

2. Referenced Documents

2.1 *ASTM Standards:*²

[D1298 Test Method for Density, Relative Density, or API](#)

¹ This test method is under the jurisdiction of ASTM Committee D02 on Petroleum Products, Liquid Fuels, and Lubricants and is the direct responsibility of Subcommittee D02.04.0L on Gas Chromatography Methods.

Current edition approved May 1, 2011. Published May 2011. Originally approved in 1996. Last previous edition approved in 2006 as D5986 – 96 (2006). DOI: 10.1520/D5986-96R11.

² For referenced ASTM standards, visit the ASTM website, www.astm.org, or contact ASTM Customer Service at service@astm.org. For *Annual Book of ASTM Standards* volume information, refer to the standard's Document Summary page on the ASTM website.

[Gravity of Crude Petroleum and Liquid Petroleum Products by Hydrometer Method](#)

[D4052 Test Method for Density, Relative Density, and API Gravity of Liquids by Digital Density Meter](#)

[D4057 Practice for Manual Sampling of Petroleum and Petroleum Products](#)

[D4307 Practice for Preparation of Liquid Blends for Use as Analytical Standards](#)

3. Terminology

3.1 *Definitions of Terms Specific to This Standard:*

3.1.1 *aromatics*—refers to any organic compound containing a benzene or naphthalene ring.

3.1.2 *calibrated aromatic component*—in this test method, refers to the individual aromatic components which have a specific calibration.

3.1.3 *cool on-column injector*—in gas chromatography, a direct sample introduction system which is set at a temperature at or below the boiling point of solutes or solvent on injection and then heated at a rate equal to or greater than the column. Normally used to eliminate boiling point discrimination on injection or to reduce adsorption, or both, on glass liners within injectors. The sample is injected directly into the head of the capillary column tubing or retention gap.

3.1.4 *Gram-Schmidt chromatogram*—a nonselective summation of total intensity from a spectral scan per unit time which resembles in profile a flame ionization detector chromatogram.

3.1.5 *retention gap*—in gas chromatography, refers to a deactivated precolumn which acts as a zone of low retention power for reconcentrating bands in space. The polarity of the precolumn must be similar to that of the analytical column.

3.1.6 *selective wavelength chromatogram (SWC)*—in this test method, refers to a selective chromatogram obtained by summing the spectral intensity in a narrow spectral wavelength or frequency range as a function of elution time which is unique to the compound being quantitated.

3.1.7 *uncalibrated aromatic component*—in this test method, refers to individual aromatics for which a calibration is

not available and whose concentrations are estimated from the response factor of a calibrated aromatic component.

3.1.8 *wall coated open tubular (WCOT)*—a type of capillary column prepared by coating or bonding the inside wall of the capillary with a thin film of stationary phase.

4. Summary of Test Method

4.1 A gas chromatograph equipped with a methylsilicone WCOT column is interfaced to a Fourier transform infrared spectrometer. The sample is injected through a cool on-column injector capable of injecting a small sample size without overloading the column.

4.2 Calibration is performed using mixtures of specified pure oxygenates and aromatic hydrocarbons on a mass basis. Volume % data is calculated from the densities of the individual components and the density of the sample. Multipoint calibrations consisting of at least five levels and bracketing the concentration of the specified individual aromatics is required. Unidentified aromatic hydrocarbons present which have not been specifically calibrated for are quantitated using the response factor of 1,2,3,5-tetramethylbenzene and summed with the other calibrated aromatic components to obtain a total aromatic concentration of the sample.

4.3 Specified quality control mixture(s) are analyzed to monitor the performance of the calibrated GC/FTIR system.

5. Significance and Use

5.1 Test methods to determine oxygenates, benzene, and the aromatic content of gasoline are necessary to assess product quality and to meet new fuel regulations.

5.2 This test method can be used for gasolines that contain oxygenates (alcohols and ethers) as additives. It has been determined that the common oxygenates found in finished gasoline do not interfere with the analysis of benzene and other aromatics by this test method.

6. Apparatus

6.1 Gas Chromatograph:

6.1.1 System equipped with temperature programmable gas chromatograph suitable for cool-on-column injections. The injector must allow the introduction of small (for example, 0.1 μL) sample sizes at the head of the WCOT column or a retention gap. An autosampler is mandatory.

6.1.2 WCOT column containing a methylsilicone stationary phase which elutes the aromatic hydrocarbons according to their boiling points. A column containing a relatively thick film of stationary phase, such as 4 to 5 μm , is recommended to prevent column sample overload.

6.2 FTIR Spectrometer:

6.2.1 This test method requires a light-pipe GC/FTIR system (Fig. 1). No data have been acquired with matrix-isolation or other deposition type systems.

6.2.2 The spectrometer must be equipped with a mercury-cadmium-telluride (MCT) detector capable of detecting from at least 4000 cm^{-1} to 550 cm^{-1} .

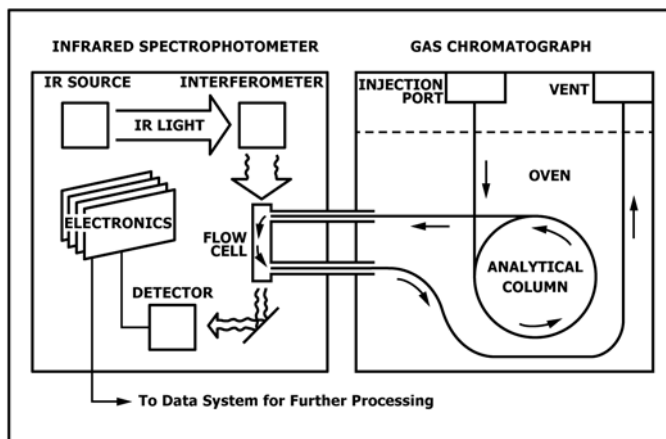


FIG. 1 Light-Pipe GC/FTIR System

6.2.3 The lower limit of 550 cm^{-1} is necessary for the accurate determination of benzene. Fig. 2 gives an acceptable infrared spectra of benzene.

7. Reagents and Materials

7.1 *Carrier Gas*—Helium and hydrogen have been used successfully. The minimum purity of the carrier gas used must be 99.85 mole %. Additional purification using commercially available scrubbing reagents is recommended to remove trace oxygen which may deteriorate the performance of the GC WCOT column.

7.2 *Dilution Solvents*—*n*-heptane and methylbenzene (toluene) used as a solvent in the preparation of the calibration mixture. Reagent grade. All at 99 % or greater purity. Free from detectable oxygenates and aromatics which may interfere with the analysis.

7.2.1 Toluene should be used as a solvent only for the preparation of C_9 + components and must be free from interfering aromatics. (Warning—The gasoline samples and solvents used as reagents such as heptane and toluene are

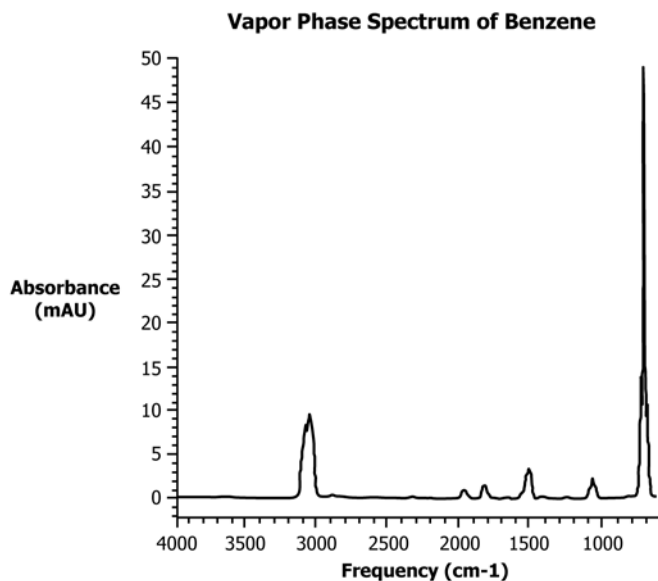


FIG. 2 Vapor Phase Spectrum of Benzene

flammable and may be harmful or fatal if ingested or inhaled. Benzene is a known carcinogen. Use with proper ventilation. Safety glasses and gloves are required while preparing samples and standards.)

7.3 *Internal Standard*—1,2-dimethoxyethane (DME) or deuterated compounds, or both, have been used successfully. A single internal standard such as DME may be used. If other internal standards are used, a narrow selective wavelength range must be determined to generate a SWC which yields no interference from other components in the sample.

7.4 *Liquid Nitrogen*, supplied from low pressure dewar. Required for cooling of the MCT detector. Dewar may be connected through an electronic solenoid to the MCT cooling reservoir for unattended operation. (**Warning**—Helium and hydrogen are supplied under high pressure. Hydrogen can be explosive and requires special handling. Hydrogen monitors that automatically shut off supply to the GC in case of serious leaks are available from GC supply manufacturers.)

7.5 *Spectrometer Purge Gas*, N₂ dry air has not been tested, but should be adequate.

NOTE 1—The FTIR spectrometer can be protected by installing appropriate filters to remove volatile oils or contaminants that may be present in commercial low quality nitrogen supplies. A liquid nitrogen dewar may be used as a source for the nitrogen purge.

7.6 *Standards for Calibration and Identification*, all at 99 % or greater purity (Table 1 and Table 2). If reagents of high purity are not available, an accurate assay of the reagent must be performed using a properly calibrated GC or other techniques. The concentration of the impurities which overlap the other calibration components must be known and used to correct the concentration of the calibration components. Because of the error that may be introduced from impurity corrections, the use of only high purity reagents is strongly recommended. Standards are used for calibration as well for establishing the identification by retention time in conjunction with spectral match.

8. Sampling

8.1 Make every effort to ensure that the sample is representative of the fuel source from which it is taken. Follow the recommendations of Practice D4057 or its equivalent when obtaining samples from bulk storage or pipelines. Sampling to

TABLE 1 GC/FTIR Oxygenates Calibration Components

Compound	CAS
Methyl-t-butyl ether (MTBE)	1634-04-4
Ethyl-t-butyl ether (ETBE)	637-92-3
Methyl-t-amyl ether (TAME)	994-05-8
Di-isopropyl ether (DIPE)	108-20-3
Methanol	67-56-1
Ethanol	64-17-5
2-Propanol	67-63-0
t-Butanol	75-65-0
1-Propanol	71-23-6
2-Butanol	15892-23-6
Isobutanol	78-83-1
1-Butanol	71-36-3
1,2-dimethoxyethane (DME) (Internal Standard)	110-71-4

TABLE 2 GC/FTIR Aromatic Hydrocarbons Calibration Components (Calibrated Aromatic Components)

Compound	CAS No.
Benzene	71-43-2
Methylbenzene	108-88-3
Ethylbenzene	100-41-4
1,3-Dimethylbenzene	108-38-3
1,4-Dimethylbenzene	106-42-3
1,2-Dimethylbenzene	95-47-6
(1-Methylethyl)-benzene	98-82-8
Propyl-benzene	103-65-1
1-methyl-3-ethylbenzene	620-14-4
1-methyl-4-ethylbenzene	622-96-8
1,3,5-trimethylbenzene	108-67-8
1-methyl-2-ethylbenzene	611-14-3
1,2,4-trimethylbenzene	95-63-6
1,2,3-trimethylbenzene	526-73-8
Indan	496-11-7
1,4-diethylbenzene	105-05-5
Butylbenzene	104-51-8
1,2-Diethylbenzene	135-01-3
1,2,4,5-Tetramethylbenzene	95-93-2
1,2,3,5-Tetramethylbenzene	527-53-7
Naphthalene	91-20-3
2-methyl-naphthalene	91-57-6
1-methyl-naphthalene	90-12-0

meet certain regulatory specifications may require the use of specific sampling procedures. Consult appropriate regulations.

8.2 Take appropriate steps to minimize the loss of light hydrocarbons from the gasoline sample while sampling and during analyses. Upon receipt in the laboratory chill the sample in its original container to 0 to 5°C (32 to 40°F) before and after a sample is obtained for analysis.

8.3 After the sample is prepared for analysis with internal standard(s), chill the sample and transfer to an appropriate autosampler vial with minimal headspace. Re-chill the remainder of the sample immediately and protect from evaporation for further analyses, if necessary.

9. Calibration Procedure

9.1 *Preparation of Calibration Standards*—Prepare multi-component calibration standards using the compounds listed in Table 1 and Table 2 by mass according to Practice D4307. Prepare calibration solutions as described in 9.1 – 9.1.4 for each set. Adjust these concentrations, as necessary, to ensure that the concentrations of the components in the actual samples are bracketed by the calibration concentrations. Solid components are weighed directly into the flask or vial. The specified volumes of each calibration component are weighed into 100 mL volumetric flasks or 100 mL septum capped vials. Prepare a calibration standard as follows. Cap and record the tare weight of the 100 mL volumetric flask or vial to 0.1 mg. Remove the cap and carefully add components to the flask or vial starting with the least volatile component. Cap the flask and record the net mass (*W_i*) of the aromatic component added to 0.1 mg. Repeat the addition and weighing procedure for each component. Similarly add the internal standard and record its net mass (*W_s*) to 0.1 mg. Store the capped calibration standards in a refrigerator at 0 to 5°C (32 to 40°F) when not in use.

NOTE 2—Mix all calibration solutions for at least 30 s on a Vortex mixer after preparation or equivalent. Highly precise sample robotic sample

preparation systems are available commercially. These systems may be used provided that the results for the quality control reference material (Section 11) are met when prepared in this manner.

9.1.1 Ethers and Alcohols:

9.1.1.1 Three sets of at least six calibration levels each (eighteen total solutions) are prepared bracketing the 0 to 20 volume % range. *Set 1:* for MTBE, DIPE, ETBE, TAME; *Set 2:* MeOH, EtOH, 2-PrOH, t-BuOH; and *Set 3:* 1-PrOH, 2-BuOH, i-BuOH, 1-BuOH.

9.1.1.2 For each above Set: 1, 3, 5, 10, 15, and 20 mL aliquots of each component are pipetted into respective 100 mL volumetric flasks or vials while accurately recording the masses. For example, for Set 1, into flask one add 1.0 mL MTBE, 1.0 mL DIPE, 1.0 mL ETBE, 1.0 mL TAME; into flask two add 3.0 mL MTBE, 3.0 mL DIPE, 3.0 mL ETBE, 3.0 mL TAME; and so forth. Add the oxygenate in reverse order of their boiling points. The above procedure produces six calibration solutions for each set with the concentrations of each analyte at 1, 3, 5, 10, 15, and 20 volume %. 10.0 mL of DME (internal standard) is then added at constant volumes to each flask or vial while recording its mass. The flasks or vials are then filled to 100 mL total volume with toluene. It is not necessary to weigh the amount of solvent added since the calculations are based on the absolute masses of the calibration components and the internal standard components.

9.1.1.3 For best accuracy at concentrations below 1 %, prepare calibration standard sets to bracket the expected concentration. Some of the alcohols are present at low concentrations in gasoline blends. In this case, for example, if the expected analyte concentration is 0.5 volume %, prepare calibration solutions by mass in the range of 0.1 to 1.0 volume %. Furthermore, if the components in Set 3 are all at these low concentrations then for calibration they can be added to Set 2, thus reducing the calibration solutions to Sets 1 and 2.

9.1.2 Benzene, Toluene, Ethylbenzene, Xylenes (BTEX) (Table 3/Set A):

9.1.2.1 To each of six 100 mL volumetric flasks or vials, add 10.0 mL of DME and record the mass.

9.1.2.2 For ethylbenzene, m, p, and o-xylenes (EX): 1, 3, 5, 7, 9 and 10 mL of each analyte is added to the respective flasks above while accurately recording the masses.

9.1.2.3 For toluene (T): 1, 3, 5, 7, 10, 15 mL aliquots are added to respective flasks above (that is, least concentrated toluene is in solution with least concentrated ethylbenzene and xylenes-EX) while accurately recording the masses.

9.1.2.4 For benzene (B): 0.10 mL, 0.30 mL, 0.50 mL, 1 mL, 2 mL, 3 mL of benzene are weighed into respective 100 mL flasks or vials (that is, least concentrated benzene is in solution with least concentrated TEX above).

9.1.2.5 The flasks or vials are then filled to 100 mL with n-heptane. This procedure generates calibration solutions containing increasing amounts of benzene from 0.1 to 3 volume %, toluene from 1 to 15 volume %, and ethylbenzene and m, p, and o-xylenes each from 1 to 10 volume % with the internal standard (DME) at a constant 10 volume %.

9.1.3 C₉ Aromatics (Table 3/Set B):

9.1.3.1 Add 0.5, 1.0, 2.0, 3.0, 5 mL of each of the C₉-aromatics in Table 2 to the respective five flasks or vials (that is, add all of the 0.5 mL concentrations together in flask one, all

TABLE 3 Relative Densities and Calibration Procedure for Aromatic Hydrocarbons

Compound	Relative Densities 60°F/60°F	Calibration Set
Benzene	0.8845	Set A
Methylbenzene	0.8719	Set A
Ethylbenzene	0.8717	Set A
1,3-Dimethylbenzene	0.8687	Set A
1,4-Dimethylbenzene	0.8657	Set A
1,2-Dimethylbenzene	0.8848	Set A
(1-Methylethyl)-benzene	0.8663	Set B
Propyl-benzene	0.8666	Set B
1-Methyl-3-ethylbenzene	0.8690	Set B
1-Methyl-4-ethylbenzene	0.8657	Set B
1,3,5-Trimethylbenzene	0.8696	Set B
1-Methyl-2-ethylbenzene	0.8852	Set B
1,2,4-Trimethylbenzene	0.8802	Set B
1,2,3-Trimethylbenzene	0.8987	Set B
Indan	0.9685	Set B
1,4-Diethylbenzene	0.8663	Set C
Butylbenzene	0.8646	Set C
1,2-Diethylbenzene	0.8843	Set C
1,2,4,5-Tetramethylbenzene	0.8918	Set C
1,2,3,5-Tetramethylbenzene	0.8946	Set C
Naphthalene	1.000	Set C
2-Methyl-Naphthalene	1.000	Set C
1-Methyl-Naphthalene	1.000	Set C
Uncalibrated aromatics	1.000	...

of the 1.0 mL concentrations to flask two, and so forth) while accurately recording the masses.

9.1.3.2 Add 10.0 mL of DME to each of the five flasks or vials and record the mass of DME.

9.1.3.3 The flasks or vials are then filled to 100 mL with n-heptane. This procedure generates calibration solutions for the C₉ aromatics in the range of 0.5 to 5 volume %.

9.1.4 C₁₀ + Aromatics (Table 3/Set C):

9.1.4.1 Add 0.5, 1.0, 2.0, 3.0, 4 mL or grams, if solids, of each of the C₁₀-aromatics in Table 2 to the respective five flasks or vials (that is, add all of the 0.5 mL concentrations together in flask one, all of the 1.0 mL concentrations to flask two, etc.) while accurately recording the masses.

9.1.4.2 Add 10.0 mL of DME to each of the five flasks or vials and record the mass of DME.

9.1.4.3 The flasks or vials are then filled to 100 mL with toluene. This procedure generates calibration solutions for the C₁₀ aromatics in the range of 0.5 to 4 volume %.

9.1.4.4 Ensure that all of the prepared standards are thoroughly mixed and transfer approximately 2 mL of the solution to a vial compatible with the autosampler. Chill the vials until ready for loading on the autosampler.

9.2 GC/FTIR Procedure:

9.2.1 Before initiating the calibration procedure ensure that the GC/FTIR system has been set up according to the manufacturer's instructions.

9.2.2 The WCOT must meet the resolution requirements described in Table 4 when installed in the GC/FTIR system.

9.2.3 Prepare a solution of 0.01 mass % of naphthalene and ensure that it is detected with at least a signal/noise ratio of five.

9.2.4 Sequentially analyze all of the calibration standards.

9.2.5 Table 5 gives suggested operating conditions.

9.3 Calibration Calculations:

TABLE 4 Gas Chromatographic WCOT Resolution Requirement

Resolution “R” between ethylbenzene and p + m xylene at the 3 mass % level each must be equal to or greater than 1
$R = \frac{2(t_2 - t_1)}{1.699(y_2 + y_1)}$
t ₂ = retention time of p + m xylenes
t ₁ = retention time of ethylbenzene
y ₂ = peak width at half height of p + m xylenes
y ₁ = peak width at half height ethylbenzene

TABLE 5 GC/FTIR Conditions

	Recommended Conditions
Gas Chromatography (GC) Column	60 m × 0.53 mm ID, df = 5.0 μm polymethylsiloxane cool on-column. A section of deactivated or polymethylsiloxane coated 0.53 mm ID fused silica tubing can be connected between the injector and the column with a low dead volume union to allow use of an on-column autosampler
Injector type	
Injection size (μl)	0.5
Injector temperature (°C)	track oven temperature
Oven temperature	50°C (0 min), 2°C/min to 190°C (0 min); 30°C/min to 300°C (1 min)
Carrier gas	hydrogen or helium
Carrier gas linear velocity (cm/s)	hydrogen: 42 cm/s at 300°C
GC/FTIR Interface	
Interface temperature (°C)	approximately 300°C
FTIR Spectrometer Cell	light pipe at 300°C
Detector	mercury-cadmium-telluride (MCT)
MCT range	at least 4000 cm ⁻¹ to 550 cm ⁻¹
Resolution	8 cm ⁻¹
Scan rate	1 spectrum/s, all data points stored
Selective absorbance reconstructions	Second difference with function width = 75. A different reconstruction frequency range is used for each analyte (Table). Reference spectra are taken by averaging the first 0.5 min of the chromatogram at which time no compounds elute

TABLE 6 GC/FTIR Selective Reconstruction Frequencies

Compound	Frequencies cm ⁻¹
Benzene	670–678
Methylbenzene	724–732
Ethylbenzene	694–702
1,3-Dimethylbenzene	687–695
1,4-Dimethylbenzene	790–798
1,2-Dimethylbenzene	736–744
(1-Methylethyl)-benzene	695–703
Propyl-benzene	695–703
1-Methyl-3-ethylbenzene	775–783
1-Methyl-4-ethylbenzene	807–815
1,3,5-Trimethylbenzene	831–839
1-Methyl-2-ethylbenzene	741–749
1,2,4-Trimethylbenzene	801–809
1,2,3-Trimethylbenzene	762–770
Indan	739–747
1,4-Diethylbenzene	826–834
n-Butylbenzene	694–702
1,2-Diethylbenzene	748–756
1,2,4,5-Tetramethylbenzene	863–871
1,2,3,5-Tetramethylbenzene	844–852
Naphthalene	777–785
2-Methyl-Naphthalene	803–811
1-Methyl-Naphthalene	782–790
Uncalibrated Aromatics	600–900 ^A
Methyl-t-butyl ether (MTBE)	1205–1213
Ethyl-t-butyl ether (ETBE)	1199–1207
Methyl-t-amyl ether (TAME)	1185–1193
Di-isopropyl ether (DIPE)	1122–1130
Methanol	1055–1063
Ethanol	1052–1060
2-Propanol	1141–1149
t-Butanol	1207–1215
1-Propanol	1056–1064
2-Butanol	1128–1136
s-butanol	1037–1045
1-Butanol	3665–3673
1,3-Dimethoxyethane (DME) (Internal Standard)	1123–1131

^AUse the calibration curve of 1,2,3,5-tetramethylbenzene at the SWC of 600–900 cm⁻¹ for quantitation of uncalibrated aromatics. See 12.2.2 and Fig. 4 and Fig. 5 for the location and SWCs for each of the uncalibrated compounds.

9.3.1 After the analyses of the calibration standards is complete, the GC/FTIR is calibrated by generating the selective reconstruction chromatograms for each analyte and the internal standard from the frequency ranges in Table 6. These GC peaks are integrated and calibration curves for each analyte are obtained.

9.3.2 Plot the response ratio *rsp_i*:

$$rsp_i = (A_i/A_s) \quad (1)$$

where:

A_i = area of aromatic compound “i”, and
A_s = area of internal standard.

as the y-axis versus the amount ratio *amt_i*:

$$amt_i = W_i/W_s \quad (2)$$

where:

W_i = mass of aromatic compound “i” in the calibration standard, and

W_s = mass of internal standard in the calibration standard.

as the x-axis to generate calibration curves for each oxygenate and aromatic component in Table 1 and Table 2.

9.3.3 Check the correlation *r*² value for each aromatic calibration. The value *r*² should be at least 0.99 or better and is calculated as follows:

$$r^2 = \frac{(\sum xy)^2}{(\sum x^2)(\sum y^2)} \quad (3)$$

where:

$$x = X_i - \bar{x} \quad (4)$$

$$y = Y_i - \bar{y} \quad (5)$$

and

X_i = *amt_i* ratio data point,

\bar{x} = average values for all (*amt_i*) data points,

Y_i = corresponding *rsp_i* ratio data point, and

\bar{y} = average values for all *amt_i* data points.

Table 7 gives an example of the calculation for an ideal data set X_i and Y_i.

9.3.4 *Linear Least Squares Fit*—For each aromatic “i” calibration data set, obtain the linear least squares fit equation in the form:

$$(rsp_i) = (m_i)(amt_i) + b_i \quad (6)$$

TABLE 7 Example of Data Set for r^2 Calculation

X_i	Y_i	$x = X_i - \bar{x}$	$y = Y_i - \bar{y}$	xy	x^2	y^2
1.0	0.5	-2.0	-1.0	2.0	4.0	1.0
2.0	1.0	-1.0	-0.5	0.5	1.0	0.25
3.0	1.5	0.0	0.0	0.0	0.0	0.0
4.0	2.0	1.0	0.5	0.5	1.0	0.25
5.0	2.5	2.0	1.0	2.0	4.0	1.0

$$\begin{aligned} \bar{x} &= 3 \\ \bar{y} &= 1. \\ (\sum x y) &= 25.0 \\ \sum x^2 &= 10.0 \\ \sum y^2 &= 2. \\ r^2 &= \frac{(\sum xy)^2}{(\sum x^2)(\sum y^2)} \\ r^2 &= \frac{25.0}{(10.0)(2.5)} = 1.0 \end{aligned}$$

where:

rsp_i = response ratio for aromatic “P” (y-axis),
 m_i = slope of linear equation for aromatic “P”,
 amt_i = amount ratio for aromatic “P” (x-axis), and
 b_i = y-axis intercept.

The values m_i and b_i are calculated as follows:

$$m_i = \frac{\sum xy}{\sum x^2} \quad (7)$$

and

$$b_i = \bar{y} - m_i \bar{x} \quad (8)$$

For the example in Table 7:

$$m_i = 5/10 = 0.5 \quad (9)$$

and

$$b_i = 1.5 - (0.5)(3) = 0 \quad (10)$$

Therefore, the least square equation for the above example in Table 7 is:

$$(rsp_i) = 0.5(amt_i) + 0 \quad (11)$$

NOTE 3—Normally the b_i term is not zero and may be positive or negative.

9.3.4.1 The calibration response for benzene with a MCT detector may be nonlinear. In the round robin of this test method a linear fit was used for concentrations up to approximately one mass % benzene and a point to point or quadratic fit used for higher concentrations. The region of linearity may vary among instrument types and needs to be determined during calibration.

9.3.5 *Y-intercept Criteria*—For an optimum calibration, the absolute of the y-intercept b_i must be at a minimum, that is, the calibration curves must not deviate significantly from a y-intercept equal to zero value. A_i approaches zero when w_i is less than 0.1 mass %. As A_i approaches zero, the equation to determine the mass % aromatics reduces to Eq 12. Therefore, the y-intercept can be tested using Eq 12:

$$w_i = (b_i/m_i)(W_s/W_g) 100\% \quad (12)$$

where:

w_i = mass % aromatic “P”, where w_i is <0.1 mass %, W_s = mass of internal standard added to the gasoline samples for the quantitation of the aromatic component “i”, g, and W_g = mass of gasoline samples, g.

NOTE 4—Since in practice W_s and W_g vary slightly from sample to sample, typical values for these parameters are used to test the y-intercept.

9.3.6 The GC/FTIR system must be recalibrated whenever results of the quality control reference material do not agree within the tolerance levels specified in 11.1.

10. Sample Analysis Procedure

10.1 Add 1.0 mL of internal standard into a 10.0 mL volumetric flask or vial and record the mass (W_s). Add 9.0 mL of gasoline sample to the flask or vial, and record the mass (W_g). The sample/internal standard solution is then mixed 30 s on a vortex mixer and analyzed by GC/FTIR according to the instrument manufacturer’s directions using the same conditions as for calibrations.

11. Quality Control Reference Material

11.1 After the calibration has been completed, prepare the quality control reference material outlined in Table 8. Analyze the reference material as described in the sample preparation procedure below. The individual aromatic and total aromatics values obtained must agree within $\pm 5\%$ relative of the values in the prepared reference material (for example, benzene 1.0 ± 0.05). If the individual values are outside the specified range verify calibration and instrument parameters, accuracy of the preparation of quality control reference material, and so forth. Do NOT analyze samples without meeting the quality control specifications.

11.1.1 If samples containing oxygenated fuel additives such as ethanol, methyl-t-butylether (MTBE) are also analyzed in addition to conventional oxygenates free gasolines, then several quality control reference materials must be prepared containing the major oxygenated additives at levels found in gasoline samples.

11.2 Analyze the quality control reference materials before every batch of samples. Bracket the samples with the reference

TABLE 8 Composition of Quality Control Reference Material for Aromatic Hydrocarbon Analysis^A

Compound	Concentration (mass %)
n-Hexane	12
n-Heptane	17
n-Octane	17
n-Decane	12
n-Dodecane	5
2,2,4-Trimethylpentane	12
Benzene	1
Toluene	9
1,3-Dimethylbenzene	3
1,2-Dimethylbenzene	3
Ethylbenzene	3
1,2,4-Trimethylbenzene	3
1,2,4,5-Tetramethylbenzene	3
Total aromatics	25

^A If sample contains oxygenates, then include the major oxygenate(s) in the QC sample.