

---

---

**Agricultural vehicles — Standardized  
access to repair and maintenance  
information (RMI) —**

**Part 2:  
Vehicle on-board diagnostics**

**iTeh STANDARD PREVIEW**  
*Véhicules agricoles — Accès normalisés aux informations relatives à  
la réparation et à l'entretien (RMI) —  
Partie 2: Systèmes de diagnostic embarqué*  
(standards.iteh.ai)

ISO 22172-2:2021

<https://standards.iteh.ai/catalog/standards/sist/854d0ad0-7dda-4302-b6f3-2bf9aff75d8d/iso-22172-2-2021>



**iTeh STANDARD PREVIEW**  
**(standards.iteh.ai)**

ISO 22172-2:2021

<https://standards.iteh.ai/catalog/standards/sist/854d0ad0-7dda-4302-b6f3-2bf9aff75d8d/iso-22172-2-2021>



**COPYRIGHT PROTECTED DOCUMENT**

© ISO 2021

All rights reserved. Unless otherwise specified, or required in the context of its implementation, no part of this publication may be reproduced or utilized otherwise in any form or by any means, electronic or mechanical, including photocopying, or posting on the internet or an intranet, without prior written permission. Permission can be requested from either ISO at the address below or ISO's member body in the country of the requester.

ISO copyright office  
CP 401 • Ch. de Blandonnet 8  
CH-1214 Vernier, Geneva  
Phone: +41 22 749 01 11  
Email: [copyright@iso.org](mailto:copyright@iso.org)  
Website: [www.iso.org](http://www.iso.org)

Published in Switzerland

# Contents

	Page
<b>Foreword</b> .....	<b>iv</b>
<b>1 Scope</b> .....	<b>1</b>
<b>2 Normative references</b> .....	<b>1</b>
<b>3 Terms and definitions</b> .....	<b>2</b>
<b>4 Symbols and abbreviated terms</b> .....	<b>3</b>
<b>5 Requirements</b> .....	<b>3</b>
5.1 Vehicle hardware.....	3
5.1.1 Diagnostic connectors.....	3
5.1.2 Power.....	4
5.1.3 Vehicles using ISO 11783 (ISOBUS).....	4
5.1.4 Vehicles not using ISO 11783 (Non-ISOBUS).....	5
5.2 Vehicle software.....	8
5.2.1 Protocols.....	8
5.2.2 Vehicle identification number.....	9
5.2.3 Communication.....	9
5.3 Support of IO.....	9
5.3.1 VM specific diagnostics and reprogramming tool.....	9
5.3.2 Generic diagnostic tools.....	9
<b>6 Generic diagnostic tool</b> .....	<b>9</b>
6.1 Diagnostic tool hardware.....	9
6.1.1 General requirements standard VCI.....	9
6.1.2 Interfaces.....	10
6.1.3 PC.....	13
6.2 Standard diagnostic tool software.....	13
6.2.1 Standard APIs.....	13
6.2.2 Standard VCI APIs.....	14
6.2.3 Coexistence of software.....	14
6.2.4 Operating system and web application requirements.....	15
<b>Annex A (informative) Reprogramming capabilities and diagnostic tool design</b> .....	<b>16</b>
<b>Bibliography</b> .....	<b>18</b>

## Foreword

ISO (the International Organization for Standardization) is a worldwide federation of national standards bodies (ISO member bodies). The work of preparing International Standards is normally carried out through ISO technical committees. Each member body interested in a subject for which a technical committee has been established has the right to be represented on that committee. International organizations, governmental and non-governmental, in liaison with ISO, also take part in the work. ISO collaborates closely with the International Electrotechnical Commission (IEC) on all matters of electrotechnical standardization.

The procedures used to develop this document and those intended for its further maintenance are described in the ISO/IEC Directives, Part 1. In particular, the different approval criteria needed for the different types of ISO documents should be noted. This document was drafted in accordance with the editorial rules of the ISO/IEC Directives, Part 2 (see [www.iso.org/directives](http://www.iso.org/directives)).

Attention is drawn to the possibility that some of the elements of this document may be the subject of patent rights. ISO shall not be held responsible for identifying any or all such patent rights. Details of any patent rights identified during the development of the document will be in the Introduction and/or on the ISO list of patent declarations received (see [www.iso.org/patents](http://www.iso.org/patents)).

Any trade name used in this document is information given for the convenience of users and does not constitute an endorsement.

For an explanation of the voluntary nature of standards, the meaning of ISO specific terms and expressions related to conformity assessment, as well as information about ISO's adherence to the World Trade Organization (WTO) principles in the Technical Barriers to Trade (TBT), see [www.iso.org/iso/foreword.html](http://www.iso.org/iso/foreword.html).

This document was prepared by Technical Committee ISO/TC 23, *Tractors and machinery for agriculture and forestry*.

<https://standards.iteh.ai/catalog/standards/sist/854d0ad0-7dda-4302-b6f3-3b0eff518d10/iso-22172-2:2021>

A list of all parts in the ISO 22172 series can be found on the ISO website.

Any feedback or questions on this document should be directed to the user's national standards body. A complete listing of these bodies can be found at [www.iso.org/members.html](http://www.iso.org/members.html).

# Agricultural vehicles — Standardized access to repair and maintenance information (RMI) —

## Part 2: Vehicle on-board diagnostics

### 1 Scope

This document specifies the access to vehicle on-board diagnostics (OBD) by describing minimum hardware and software requirements including requirements for reprogramming, calibration and configuration after repair works. In addition, it provides hardware and software specifications for diagnostic tools.

This document does not apply to retrofit kits as these kits are not an integrated part of the vehicle.

### 2 Normative references

The following documents are referred to in the text in such a way that some or all of their content constitutes requirements of this document. For dated references, only the edition cited applies. For undated references, the latest edition of the referenced document (including any amendments) applies.

ISO 11783-2, *Tractors and machinery for agriculture and forestry — Serial control and communications data network — Part 2: Physical layer* [ISO 22172-2:2021](https://standards.iteh.ai/catalog/standards/sist/854d0ad0-7dda-4302-b6f3-26f4a17386d/iso-22172-2-2021)

ISO 11783-12, *Tractors and machinery for agriculture and forestry — Serial control and communications data network — Part 12: Diagnostics services*

ISO 11898-1, *Road vehicles — Controller area network (CAN) — Part 1: Data link layer and physical signalling*

ISO 11898-2, *Road vehicles — Controller area network (CAN) — Part 2: High-speed medium access unit*

ISO 13400-2, *Road vehicles — Diagnostic communication over Internet Protocol (DoIP) — Part 2: Transport protocol and network layer services*

ISO 13400-3, *Road vehicles — Diagnostic communication over Internet Protocol (DoIP) — Part 3: Wired vehicle interface based on IEEE 802.3*

ISO 13400-4, *Road vehicles — Diagnostic communication over Internet Protocol (DoIP) — Part 4: Ethernet-based high-speed data link connector*

ISO 14229-3, *Road vehicles — Unified diagnostic services (UDS) — Part 3: Unified diagnostic services on CAN implementation (UDSonCAN)*

ISO 14229-5, *Road vehicles — Unified diagnostic services (UDS) — Part 5: Unified diagnostic services on Internet Protocol implementation (UDSonIP)*

ISO 14230-1, *Road vehicles — Diagnostic communication over K-Line (DoK-Line) — Part 1: Physical layer*

ISO 15031-3, *Road vehicles — Communication between vehicle and external equipment for emissions-related diagnostics — Part 3: Diagnostic connector and related electrical circuits: Specification and use*

ISO 15765-2, *Road vehicles — Diagnostic communication over Controller Area Network (DoCAN) — Part 2: Transport protocol and network layer services*

## ISO 22172-2:2021(E)

ISO 15765-4, *Road vehicles — Diagnostic communication over Controller Area Network (DoCAN) — Part 4: Requirements for emissions-related systems*

ISO 22172-1, *Agricultural vehicles — Standardized access to repair and maintenance information (RMI) — Part 1: User interface requirements for web-based information systems*

ISO 22900-2, *Road vehicles — Modular vehicle communication interface (MVCI) — Part 2: Diagnostic protocol data unit (D-PDU API)*

ISO 27145-6, *Road vehicles — Implementation of World-Wide Harmonized On-Board Diagnostics (WWH-OBD) communication requirements — Part 6: External test equipment*

SAE J1939-13, *Off-Board Diagnostic Connector*

SAE J1939-73, *Application Layer — Diagnostics*

SAE J1962, *Diagnostic connector*

SAE J2534-2, *Optional Pass-Thru Features*

RP1210 *Programming interface for accessing diagnostic interfaces*

### 3 Terms and definitions

For the purposes of this document, the terms and definitions given in ISO 22172-1 and the following apply.

ISO and IEC maintain terminological databases for use in standardization at the following addresses:

— ISO Online browsing platform: available at <https://www.iso.org/obp>

— IEC Electropedia: available at <http://www.electropedia.org/>

<https://standards.iteh.ai/catalog/standards/sist/854d0ad0-7dda-4302-b6f3-2bf9aff75d8d/iso-22172-2-2021>

#### 3.1 diagnostics

process that identifies, with precision, potential malfunction causes

Note 1 to entry: A precise diagnosis can be achieved in several ways, whereby the operator might be requested to perform test actions on vehicle or to enter symptoms.

#### 3.2 diagnostic information

description of an error or symptom and a list of potential causes or hints or further investigation of the same level and content as provided to authorized repairer (AR)

#### 3.3 reprogramming

flashing of software of an ECU, excluding

- the *calibration* (3.4), or
- the configuration of the ECU to maintain the original *configuration* (3.5), or
- the manufacturer's latest required configuration

#### 3.4 calibration

optimizing the functionality of a vehicle by performing adjustments either manually or through automated routines using manufacturer specified processes

### 3.5 configuration

adjust manufacturer defined parameters of the control unit / system to allow the vehicle to perform as required

## 4 Symbols and abbreviated terms

API	application programming interface
CAN	controller area network
DoCAN	diagnostic communication over controller area network
DoIP	diagnostic communication over internet protocol
ECU	electronic control unit
EMC	electromagnetic compatibility
IBBC	Implement bus breakaway connector
ISOBUS	communications system for agricultural equipment specified by ISO 11783
FD	flexible data rate
IP	internet protocol
OBD	on-board diagnostic
PC	personal computer
PIN	product identification number
TECU	tractor electronic control unit
UDS	unified diagnostic services
USB	universal serial bus
VCI	vehicle communication interface
VIN	vehicle identification number
VM	vehicle manufacturer
WWH	world-wide harmonized

## 5 Requirements

NOTE This document refers to ISOBUS which is specified by ISO 11783-2 which is equivalent to SAE J1939-13.

### 5.1 Vehicle hardware

#### 5.1.1 Diagnostic connectors

The diagnostic connector shall comply with one of the following standards:

- diagnostic connectors according to ISO 11783-2;

NOTE 1 SAE J1939-13 provides the same requirements.

## ISO 22172-2:2021(E)

— ISOBUS diagnostic connector according to ISO 11783-2 (ISOBUS diagnostic connectors);

NOTE 2 SAE J1939-13 type 1 provides the same requirements.

— OBD II diagnostic connector according to ISO 15031-3/ISO 13400-4:

— Type A (12V);

— Type B (24V).

NOTE 3 SAE J1962 provides the same requirements as ISO 15031-3.

The ISOBUS diagnostic connector should be installed on ISOBUS vehicles and may be installed on non-ISOBUS vehicles.

### 5.1.2 Power

Battery power – switch or direct – of 12V to 24V on the diagnostic connector is required.

If a diagnostic connector is present on the implement it shall be connected to ECU\_PWR. If permanent power is not possible, the implement ECUs shall be capable of its own flashing/configuration and diagnostic processes.

#### 5.1.2.1 Engine bus

The engine connector may be accessed via a separate diagnostic connector complying with SAE J1939-13, ISO 11783-2, ISO 15031-3 or ISO 13400-4.

#### 5.1.2.2 Inaccessible subnets

For systems which have subnets which are not accessible from the primary diagnostic interface, and where diagnostic access is required in support of this document, those subnets shall provide a separate diagnostic connector complying with SAE J1939-13, ISO 11783-2, ISO 15031-3 or ISO 13400-4.

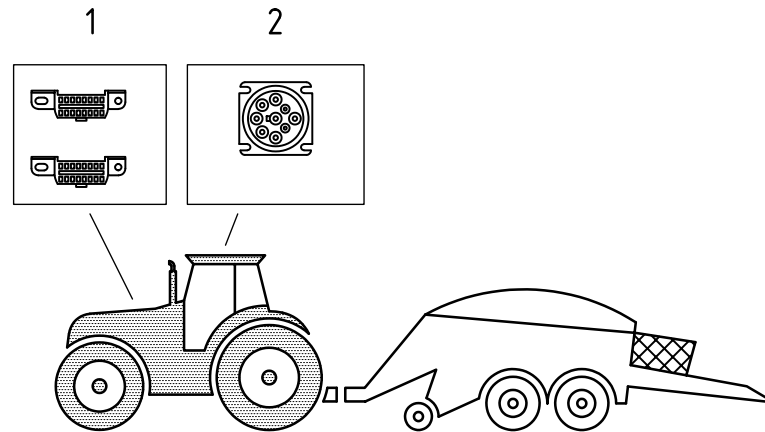
### 5.1.3 Vehicles using ISO 11783 (ISOBUS)

ISOBUS vehicles shall provide the diagnostic information described in ISO 11783-12.

#### 5.1.3.1 ISOBUS tractor

ISOBUS tractors shall have as a minimum one ISOBUS diagnostic connector according to ISO 11783-2. Additional standard connectors such as OBD II and SAE J1939-13 type 2 as shown in [Figure 1](#) are also allowed.



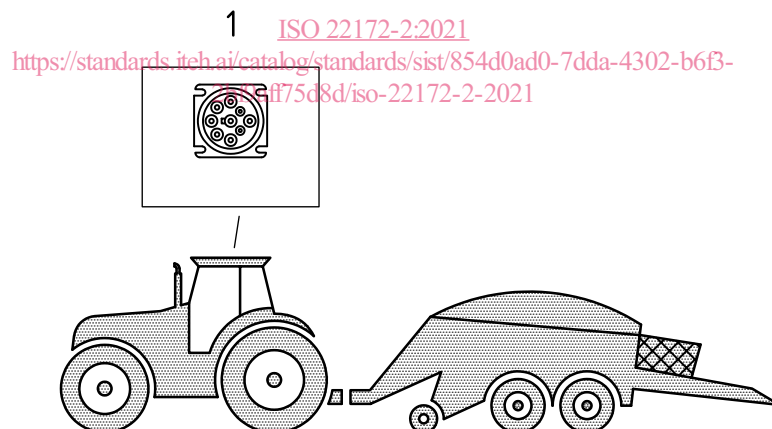
**Key**

- 1 OBD II (12V or 24V)
- 2 ISOBUS diagnostic connector (black or grey)

**Figure 1 — Diagnostic connector options on ISOBUS tractors**

### 5.1.3.2 ISOBUS implements

ISOBUS implements should be connected via the ISOBUS tractor SAE J1939-13/ISOBUS connector. Additional diagnostic connectors on the implement are allowed. Power to the implement shall be provided from IBBC of the tractor (see Figures 2 and 6). OBD II diagnostic connector is also allowed (see Figure 7).

**Key**

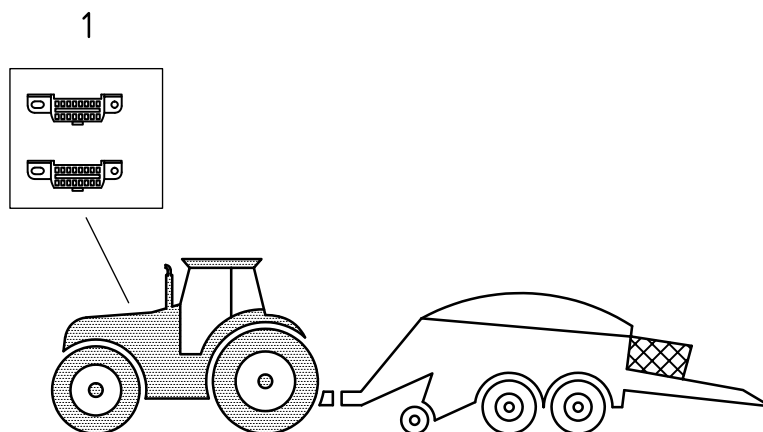
- 1 ISOBUS diagnostic connector (black or grey)

**Figure 2 — ISOBUS implements**

### 5.1.4 Vehicles not using ISO 11783 (Non-ISOBUS)

#### 5.1.4.1 Non-ISOBUS tractor

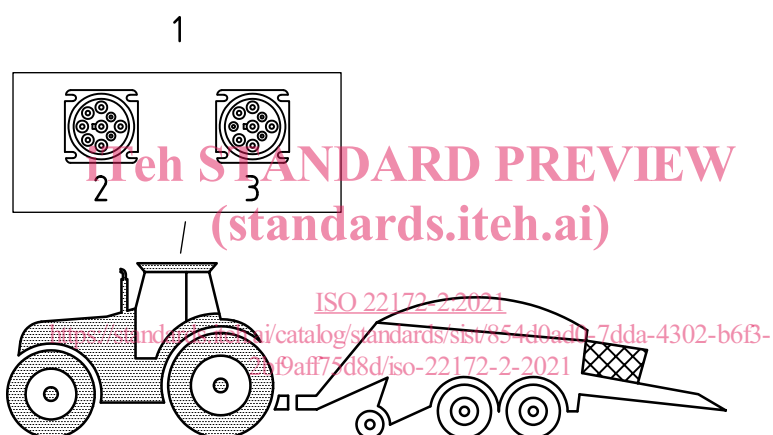
Non-ISOBUS tractors shall at a minimum have a standard diagnostic connector as shown in Figures 3 and 4. It is allowed to have another standard diagnostic connector simultaneously as shown in Figure 5.



**Key**

- 1 OBD II (12V or 24V)

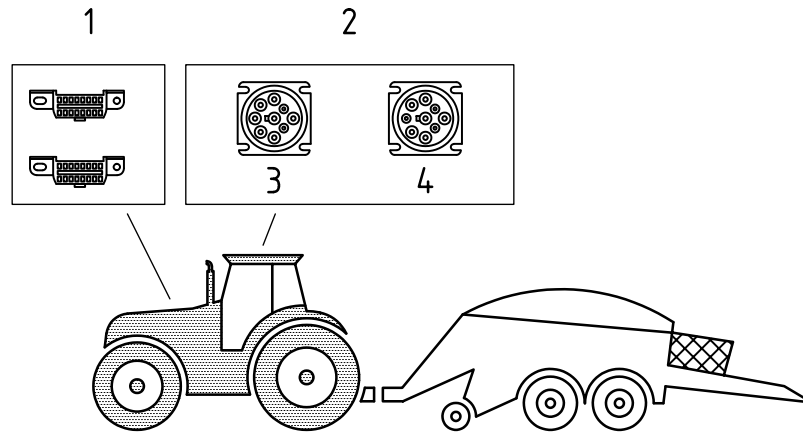
**Figure 3 — Tractor with non-ISOBUS OBD**



**Key**

- 1 diagnostic connectors
- 2 ISO 11783-2 (black or grey)
- 3 SAE J1939-13 type 2 (green)

**Figure 4 — Tractor with non-ISOBUS diagnostic connectors**



**Key**

- 1 OBD II (12V or 12V)
- 2 diagnostic connectors
- 3 ISO 11783-2 (black or grey)
- 4 SAE J1939-13 type 2 (green)

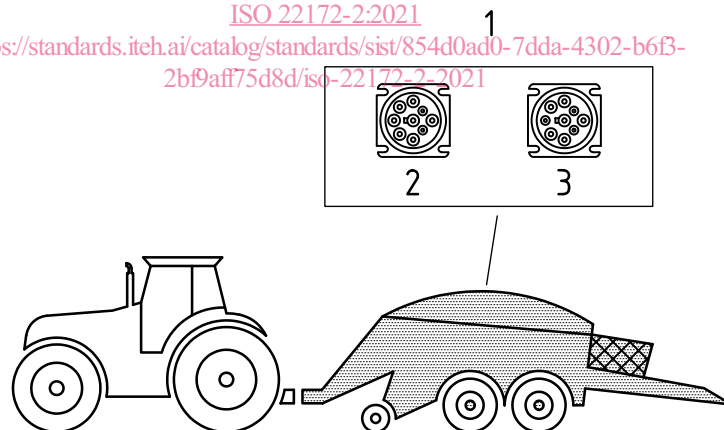
**Figure 5 — Tractor with non-ISOBUS OBD and diagnostic connectors**

**5.1.4.2 Non-ISOBUS implements**

**STANDARD PREVIEW**  
(standards.iteh.ai)

On a non-ISOBUS implement, a standard diagnostic connector shall be available for diagnostics purpose. The diagnostic connector should conform with ISO 11783-2:2019, 7.6.5.

ISO 22172-2:2021  
<https://standards.iteh.ai/catalog/standards/sist/854d0ad0-7dda-4302-b6f3-2bf9aff75d8d/iso-22172-2-2021>



**Key**

- 1 diagnostic connectors
- 2 ISO 11783-2 (black or grey)
- 3 SAE J1939-13 type 2 (green)

**Figure 6 — Implement with non-ISOBUS diagnostic connectors**