



Designation: D1316 – 06 (Reapproved 2011)

Standard Test Method for Fineness of Grind of Printing Inks By the NPIRI Grindometer¹

This standard is issued under the fixed designation D1316; the number immediately following the designation indicates the year of original adoption or, in the case of revision, the year of last revision. A number in parentheses indicates the year of last reapproval. A superscript epsilon (ϵ) indicates an editorial change since the last revision or reapproval.

1. Scope*

1.1 This test method describes the procedure for determining the fineness of grind of printing inks using a NPIRI Grindometer. It evaluates the size of the largest particles in a finished dispersion but not average particle size or concentration of sizes.

1.2 This test method covers both manual and automatic drawdowns using an A1 scraper.

1.3 This test method is applicable to any dispersion that is fine enough to fall within the 0–25 μm range of the specified grind gauge. With a minor variation in procedure, it is applicable to both paste (nonvolatile) and liquid (volatile) inks.

NOTE 1—The 0–25 μm gauge specified in this test method is similar in principle to the 0–100 μm Hegman gauge described in Test Method D1210 and the various gauges described in ISO 1524:2000. Sieve analysis for concentration of particles above 45 μm is covered in Test Method D2067.

1.4 *This standard does not purport to address all of the safety concerns, if any, associated with its use. It is the responsibility of the user of this standard to establish appropriate safety and health practices and determine the applicability of regulatory limitations prior to use.*

2. Referenced Documents

2.1 ASTM Standards:²

D1210 Test Method for Fineness of Dispersion of Pigment-Vehicle Systems by Hegman-Type Gage

D2067 Test Method for Coarse Particles in Printing Ink Dispersions

D6846 Practice for Preparing Prints of Paste Printing Inks with a Printing Gage

E177 Practice for Use of the Terms Precision and Bias in ASTM Test Methods

¹ This test method is under the jurisdiction of ASTM Committee D01 on Paint and Related Coatings, Materials, and Applications and is the direct responsibility of Subcommittee D01.56 on Printing Inks.

Current edition approved June 1, 2011. Published June 2011. Originally approved in 1954. Last previous edition approved in 2006 as D1316 – 06. DOI: 10.1520/D1316-06R11.

² For referenced ASTM standards, visit the ASTM website, www.astm.org, or contact ASTM Customer Service at service@astm.org. For *Annual Book of ASTM Standards* volume information, refer to the standard's Document Summary page on the ASTM website.

E691 Practice for Conducting an Interlaboratory Study to Determine the Precision of a Test Method

2.2 ISO Standards:³

ISO 1524:2000 Paints, varnishes and printing inks — Determination of fineness of grind

3. Terminology

3.1 Definitions of Terms Specific to This Standard:

3.1.1 *fineness of grind, n*—a measure of the size and prevalence of oversize particles in a printing ink dispersion.

3.1.2 *NPIRI grind unit (gu), n*—the distance equal to 2.5 μm or 0.1 mils on a grind gauge.

3.1.3 *scratch, n*—a depression at least 10 mm in length in the surface of a grind gauge drawdown.

3.1.3.1 *Discussion*—A scratch develops when a particle (or agglomerate) is trapped between the blade and the bottom of the path and is drawn along by the blade.

3.1.4 *speckle, n*—protuberance of particles above the surface of a grind gauge drawdown.

3.1.4.1 *Discussion*—Speckles occur at gauge depths greater than those at which scratches occur and are caused by oversize particles that are not hard enough or of the proper size to produce scratches.

4. Summary of Test Method

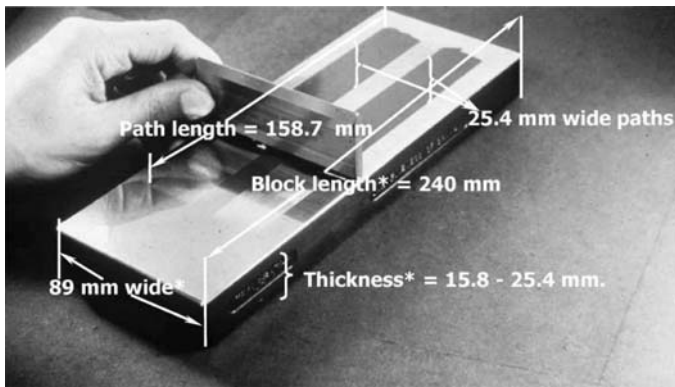
4.1 This test method utilizes a NPIRI Grindometer having two precision machined grooves each 25.4 mm (1 in.) wide and with a 0–25 μm (0–1 mil) taper. The test specimen is drawn down the paths slowly if a nonvolatile (paste) ink, briskly if a volatile (liquid) ink. The drawdowns are examined for the scale readings at which four and ten scratches appear and at which a preponderance of speckles disappear. A single determination of fineness of grind requires readings from four paths and the computation of an arithmetical mean.

5. Significance and Use

5.1 Oversize particles in a printing ink may damage a printing plate, plug a cell, clog a nozzle and adversely affect the

³ Available from International Organization for Standardization (ISO), 1, ch. de la Voie-Creuse, Case postale 56, CH-1211, Geneva 20, Switzerland, http://www.iso.ch.

*A Summary of Changes section appears at the end of this standard



Note—The operator has stopped this drawdown to show the 90° angle of scraper to NPIRI Grindometer and that there is no ink on shoulders, indicating proper pressure. Note, thickness, width of block, and overall block length are non-critical dimensions.

FIG. 1 The NPIRI Grindometer is Shown with Machined Dimensions

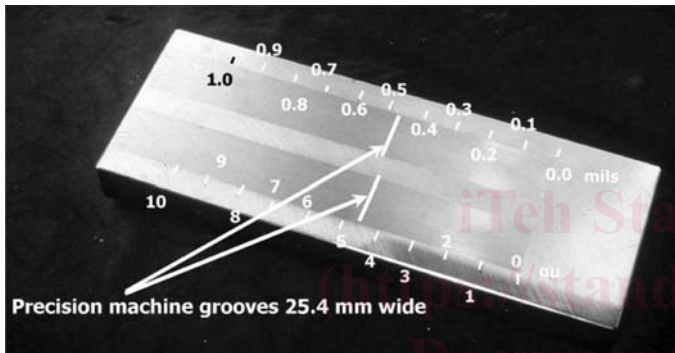


FIG. 2 The NPIRI Grindometer Showing Precision Tapered Grooves with Inscribed Markings in Mils (Upper Groove) and NPIRI Grind Units = GU (Lower Groove)

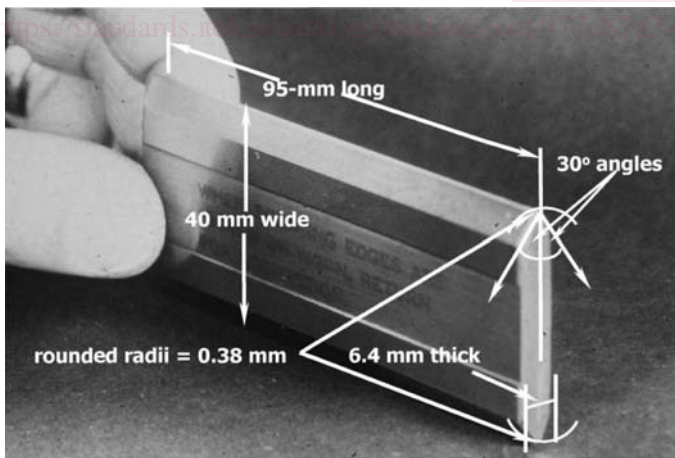


FIG. 3 A Double Edged Blade (A1 Scraper) Conforming to ASTM Test Method D1210 is Shown with Machined Specifications

appearance of printed ink films. Fineness of grind measurements are useful for deciding when to stop the dispersion process and for determining if the test material meets specifications as agreed upon between the supplier and the customer.

6. Apparatus

6.1 *NPIRI Grindometer*,⁴ consisting of a block of hardened steel 25.4 mm in thickness,⁵ 89 mm in width and 240 mm in length: see Fig. 1. The top surface of the block is precision machined so as to contain two paths, each 25.4 mm in width, 165 mm in length, and tapered uniformly in depth lengthwise from 25.4 μm (1 mil) to zero depth as shown in Fig. 2. Depth markings are inscribed on the shoulders at each 2.5 μm (0.1 mil) change in taper. Scale inscriptions and the relationship among various scales are given in Table 1.

TABLE 1 Relation Among Grind Gauge Scales

NOTE 1—gu—NPIRI Grindometer unit.

NPIRI Scale, ^A gu	Depth ^B		Micrometer Scale, ^C μm	Hegman Scale ^D
	mils	μm		
0	0	0	0	8
1	0.1	2.5		
2	0.2	5	5	
3	0.3	7.5		
4	0.4	10	10	
5	0.5	12.5		7
6	0.6	15	15	
7	0.7	17.5		
8	0.8	20	20	
9	0.9	22.5		
10	1.0	25	25	6
15	1.5	38		5
20	2.0	50	50	4
25	2.5	63		3
30	3.0	75	75	2
35	3.5	88		1
40	4.0	100	100	0

^A Numbers above dashed lines are inscribed on the side or on the left shoulder of all standard NPIRI Grindometers. Numbers below dashed lines represent extended scales available on special gauges.

^B Nominal depth, not necessarily thickness of material deposited in paths of grind gauges. Path fillage is about 80 % for a high viscosity (sheet-fed offset) ink; 60 % for a low viscosity (letterpress news) ink. Path fillage is also decreased by fast drawdowns.

^C Numbers above dashed lines are inscribed at every fifth calibration line on the right shoulder of newer NPIRI Grindometers.

^D Paint Scale in Test Method D1210.

6.2 *A1 Scraper*,⁶ a double-edged blade conforming to Test Method D1210. Fig. 3 shows critical specifications.

6.3 *Ink Knife*, a small, flexible metal blade.

6.4 *Automatic Drawdown Machine (ADM-1)*,⁷ (optional) for use with paste ink dispersions only. A diagram of the unit is illustrated in Fig. 4.

⁴ The NPIRI Grindometer, developed by the National Printing Ink Research Institute, may be obtained from the Precision Gage and Tool Company, 375 Gargrave Rd., W. Carrollton, OH 45449 (<http://www.precisiongage-tool.com>).

⁵ Also available is a model 23.3 mm (0.918 in.) in thickness, which may serve as a type-high printing plate in a flat-bed press as described in Practice D6846.

⁶ A second scraper should be procured for use while the first scraper is being reconditioned or is otherwise out of commission.

⁷ The sole source of supply of the Automatic Drawdown Machine (ADM-1) known to the committee at this time is Little Joe Industries, 10 Ilene Court, Hillsborough, NJ 08844-1922. If you are aware of alternate suppliers, please provide this information to ASTM International Headquarters. Your comments will receive careful consideration at a meeting of the responsible technical committee,¹ which you may attend.

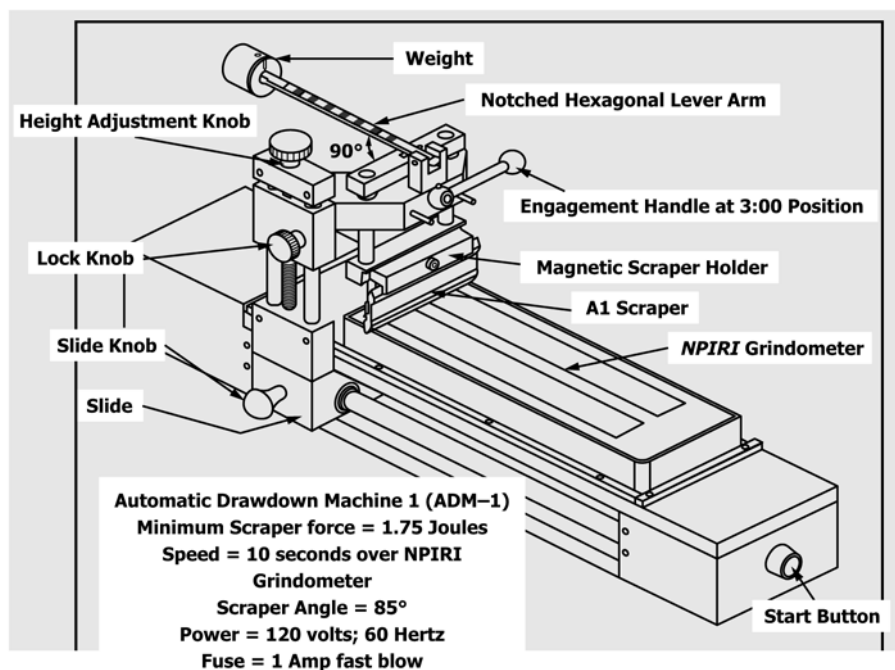


FIG. 4 An Automated Drawdown Machine (ADM-1), with Part Identification, is Shown with the NPIRI Grindometer and A1 Scraper in Place

7. Materials

7.1 *Rags or Tissues*, lint- and metal-free.

7.2 *Solvent*, naphtha or other as appropriate for the ink under test.

8. Care of Gauge and Blade

8.1 *Cleanliness*—The scraper and the block must be visually clean prior to a drawdown. Any dirt or lint present may produce a scratch and give a false reading.

8.2 *Misuse*—The Grindometer is a precision instrument and must be treated as such. Do not let any hard materials contact the gauge surface or scraper in any manner that might result in scarring or nicking. Avoid tapping or scratching with other metal. Use only soft metal-free cloths for cleanup.

8.3 *Normal Wear*—Under steady usage over an extended period of time, both scraper and block will wear but localized scraper wear is much more rapid than block wear. Periodically check the blade as follows:

8.3.1 *Method 1*—Place a small quantity of an ink across one end of a flat glass plate and make a drawdown. A uniform drawdown indicates that the particular scraper edge is in good condition. A streak of ink or a heavier film of ink at the places corresponding to the shoulders of the Grindometer is evidence of blade damage or excessive wear. Repeat the drawdown with the other edge of the blade.

8.3.2 *Method 2* (from Test Method D1210)—Face one edge of the scraper down across the bottom of the top surface of the Grindometer or other smooth level surface. Place a strong light behind the scraper and examine the contact edge; any light coming through shows that the blade edge has been damaged and is not satisfactory for use. Wear and warpage can also be

detected by rocking the blade back and forth. Repeat the procedure on the other edge of the blade.

8.4 *Rusting*—The Grindometer is made of carbon steel and is subject to rusting. Apply a coating of grease or other rust-preventative and keep covered or encased when not in use.

Warning—Do not use a gauge or blade that exhibits damage or wear (see 8.2 – 8.4). Replace or return to the manufacturer for reconditioning.

9. Sampling

9.1 Approximately 2 to 3 mL of ink sample is sufficient to fill four paths of the Grindometer. When taking samples either from a container or from a disperser, push aside the top layer and take the sample from below. This technique prevents skin or surface dust from being transferred to the gauge.

9.2 If the sample is a liquid ink, hand stir the sample vigorously for 2 min, taking care that air bubbles are not whipped in.

10. Procedure for Manual Drawdowns

10.1 Place the gauge NPIRI Grindometer on a flat, non-slippery surface so that the deep end of the grooves is farthest from the operator. Wipe clean immediately before the test. Be sure the gauge surface is dry and free of lint and wipe marks.

10.2 Using the ink knife, transfer a small quantity of ink across the deep end of both grooves (see Fig. 5) about 12.5 mm (½ in.) from the end of the block. Alternatively, different inks may be placed in the two respective paths.

10.3 Grasp the scraper in both hands and, holding in a vertical position, place it behind the ink of the gauge. Apply adequate pressure to ensure positive contact of the blade with