



**SLOVENSKI STANDARD**  
**SIST EN 13819-1:2021/oprA1:2023**  
**01-julij-2023**

---

**Varovala sluha - Preskušanje - 1. del: Fizikalne preskusne metode - Dopolnilo A1**

Hearing protectors - Testing - Part 1: Physical test methods

Gehörschützer - Prüfung - Teil 1: Physikalische Prüfverfahren

Protecteurs individuels contre le bruit - Essais - Partie 1 : Méthodes d'essai physiques

**Ta slovenski standard je istoveten z: EN 13819-1:2020/prA1**

<https://standards.iteh.ai/catalog/standards/sist/7a80acd6-155c-4cb2-bd49-578da41fac7c/sist-en-13819-1-2021-opra1-2023>

**ICS:**

13.340.20 Varovalna oprema za glavo Head protective equipment

**SIST EN 13819-1:2021/oprA1:2023 en,fr,de**



EUROPEAN STANDARD  
NORME EUROPÉENNE  
EUROPÄISCHE NORM

**DRAFT**  
**EN 13819-1:2020**  
**prA1**

May 2023

ICS 13.340.20

English Version

## Hearing protectors - Testing - Part 1: Physical test methods

Protecteurs individuels contre le bruit - Essais - Partie  
1 : Méthodes d'essai physiques

Gehörschützer - Prüfung - Teil 1: Physikalische  
Prüfverfahren

This draft amendment is submitted to CEN members for enquiry. It has been drawn up by the Technical Committee CEN/TC 159.

This draft amendment A1, if approved, will modify the European Standard EN 13819-1:2020. If this draft becomes an amendment, CEN members are bound to comply with the CEN/CENELEC Internal Regulations which stipulate the conditions for inclusion of this amendment into the relevant national standard without any alteration.

This draft amendment was established by CEN in three official versions (English, French, German). A version in any other language made by translation under the responsibility of a CEN member into its own language and notified to the CEN-CENELEC Management Centre has the same status as the official versions.

CEN members are the national standards bodies of Austria, Belgium, Bulgaria, Croatia, Cyprus, Czech Republic, Denmark, Estonia, Finland, France, Germany, Greece, Hungary, Iceland, Ireland, Italy, Latvia, Lithuania, Luxembourg, Malta, Netherlands, Norway, Poland, Portugal, Republic of North Macedonia, Romania, Serbia, Slovakia, Slovenia, Spain, Sweden, Switzerland, Türkiye and United Kingdom.

Recipients of this draft are invited to submit, with their comments, notification of any relevant patent rights of which they are aware and to provide supporting documentation.

**Warning** : This document is not a European Standard. It is distributed for review and comments. It is subject to change without notice and shall not be referred to as a European Standard.



EUROPEAN COMMITTEE FOR STANDARDIZATION  
COMITÉ EUROPÉEN DE NORMALISATION  
EUROPÄISCHES KOMITEE FÜR NORMUNG

CEN-CENELEC Management Centre: Rue de la Science 23, B-1040 Brussels

<b>Contents</b>		Page
<b>European foreword</b> .....		3
<b>1</b>	<b>Modification to “European foreword”</b> .....	4
<b>2</b>	<b>Modification to Clause 2, “Normative references”</b> .....	4
<b>3</b>	<b>Modification to Clause 4, “Earmuffs”</b> .....	4
<b>4</b>	<b>Modifications to Clause 5, “Earplugs”</b> .....	4

**iTeh STANDARD PREVIEW**  
**(standards.iteh.ai)**

[SIST EN 13819-1:2021/oprA1:2023  
https://standards.iteh.ai/catalog/standards/sist/7a80acd6-155c-4cb2-bd49-578da41fac7c/sist-en-13819-1-2021-opra1-2023](https://standards.iteh.ai/catalog/standards/sist/7a80acd6-155c-4cb2-bd49-578da41fac7c/sist-en-13819-1-2021-opra1-2023)

## European foreword

This document (EN 13819-1:2020/prA1:2023) has been prepared by Technical Committee CEN/TC 159 “Hearing protectors”, the secretariat of which is held by DIN.

This document is currently submitted to the CEN Enquiry.

The content of the changes added with Amendment A1 to EN 13819-1:2020 refer only to banded earplugs.

**iTeh STANDARD PREVIEW**  
**(standards.iteh.ai)**

[SIST EN 13819-1:2021/oprA1:2023](https://standards.iteh.ai/catalog/standards/sist/7a80acd6-155c-4cb2-bd49-578da41fac7c/sist-en-13819-1-2021-opra1-2023)

<https://standards.iteh.ai/catalog/standards/sist/7a80acd6-155c-4cb2-bd49-578da41fac7c/sist-en-13819-1-2021-opra1-2023>

## EN 13819-1:2020/prA1:2023 (E)

**1 Modification to “European foreword”**

Add after list of changes the following paragraph:

“The content of the changes added with Amendment A1 to EN 13819-1:2020 refer only to banded earplugs.”

**2 Modification to Clause 2, “Normative references”**

Replace “EN 352-2:2020” with “EN 352-2:2020+A1:202X”, and update references throughout the text.

**3 Modification to Clause 4, “Earmuffs”**

Replace NOTE 2 in 4.2.3.2.6 with the following:

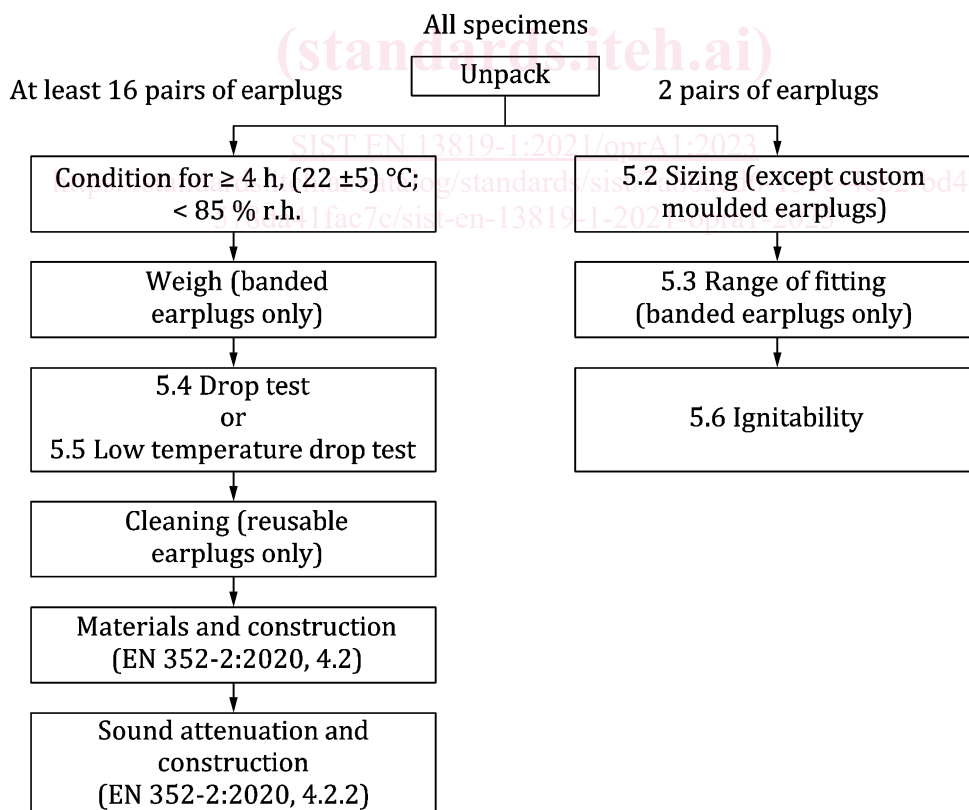
“NOTE 2 If non-planar cushion adaptors are fitted to the test headform, test width is the dimension between the two outermost points of the cushion adaptors measured along the horizontal axis through the centre of the force transducer.”

**4 Modifications to Clause 5, “Earplugs”**

In the whole clause, replace “headband earplugs” with “banded earplugs”.

Replace Figure 19 with the following:

“



”

In 5.3.2, add at the end of the first paragraph:

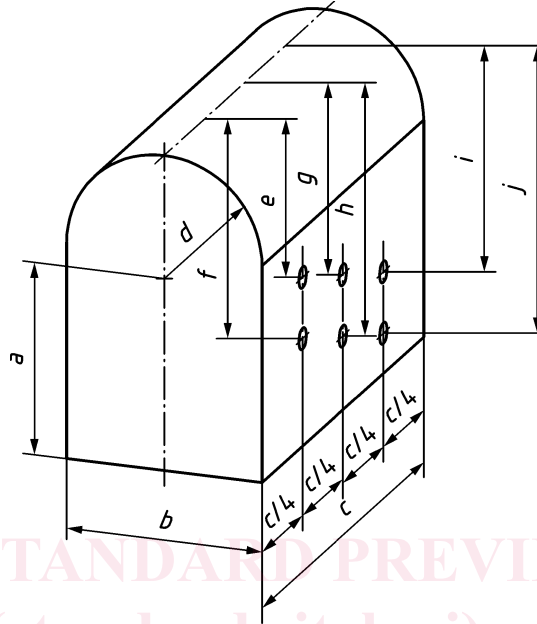
“The dimensions of the front side, the vertical positions of the holes (dimensions e, f, etc.) and the dimensions of the cavity are mandatory. The dimension c and the horizontal arrangement of the holes are free to be varied.”

After the first paragraph, add note:

“NOTE A marking of the holes with the values of test height/depth can facilitate the testing process.”

Replace the top left subfigure of Figure 20 with the following:

“

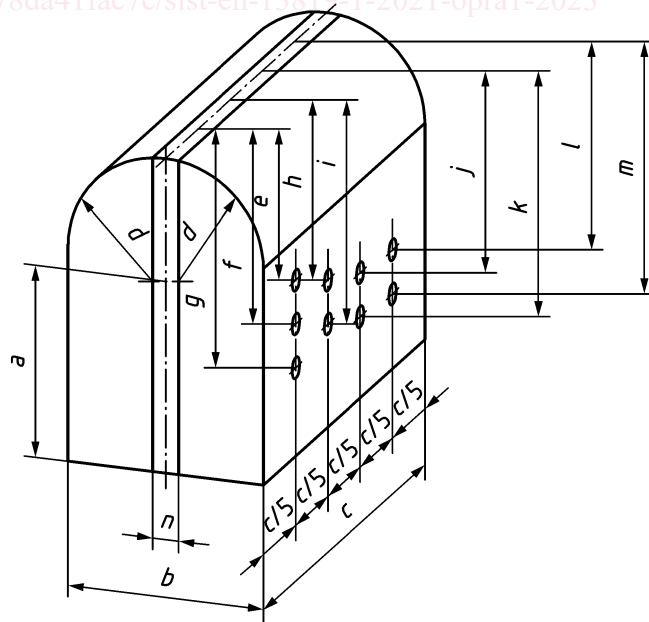


iTeh STANDARD PREVIEW  
(standards.iteh.ai)

Replace the top right subfigure of Figure 20 with the following:

“

<https://standards.iteh.ai/catalog/standards/sist/7a80acd6-155c-4cb2-bd49-578da41fac7c/sist-en-13819-1-2021-oprA1-2023>



Below the bottom middle subfigure of Figure 20, add note to figure:

“NOTE Some long eartips can require a deeper hole to accommodate the eartip suitably.”