
**Information technology —
Telecommunications and information
exchange between systems — Close
capacitive coupling communication
physical layer (CCCC PHY)**

*Technologies de l'information — Téléinformatique — Couche
physique pour communication par couplage capacitif fermé*

(<https://standards.iteh.ai>)
Document Preview

[ISO/IEC 17982:2021](https://standards.iteh.ai/catalog/standards/iso/9d534457-d99e-4af9-8a2e-77804352258d/iso-iec-17982-2021)

<https://standards.iteh.ai/catalog/standards/iso/9d534457-d99e-4af9-8a2e-77804352258d/iso-iec-17982-2021>



iTeh Standards
(<https://standards.iteh.ai>)
Document Preview

[ISO/IEC 17982:2021](https://standards.iteh.ai/catalog/standards/iso/9d534457-d99e-4af9-8a2e-77804352258d/iso-iec-17982-2021)

<https://standards.iteh.ai/catalog/standards/iso/9d534457-d99e-4af9-8a2e-77804352258d/iso-iec-17982-2021>



COPYRIGHT PROTECTED DOCUMENT

© ISO/IEC 2021

All rights reserved. Unless otherwise specified, or required in the context of its implementation, no part of this publication may be reproduced or utilized otherwise in any form or by any means, electronic or mechanical, including photocopying, or posting on the internet or an intranet, without prior written permission. Permission can be requested from either ISO at the address below or ISO's member body in the country of the requester.

ISO copyright office
CP 401 • Ch. de Blandonnet 8
CH-1214 Vernier; Geneva
Phone: +41 22 749 01 11
Email: copyright@iso.org
Website: www.iso.org

Published in Switzerland

Contents

Page

Foreword	iv
1 Scope	1
2 Normative references	1
3 Terms, definitions and abbreviated terms	1
3.1 Terms and definitions.....	1
3.2 Abbreviated terms	1
4 Conventions and notations	2
5 Conformance	2
6 Architecture	2
7 Reference plate-electrode assembly	5
8 PHY parameters	6
8.1 Voltage conditions.....	6
8.2 Bit representation.....	6
8.2.1 Bit duration.....	6
8.2.2 Bit encoding.....	7
8.3 Transmission.....	7
8.4 DC balance of a P-PDU.....	7
8.5 Reception of a P-PDU.....	8
9 P-PDU	8
9.1 Structure.....	8
9.2 Space.....	8
9.3 Level adjust.....	8
9.4 Pre-amble and Sync.....	9
9.5 Attribute.....	9
9.6 TDS number.....	10
9.7 Sequence number.....	10
9.7.1 Initial and range.....	10
9.7.2 Acknowledgement.....	10
9.8 Payload.....	10
9.9 CRC.....	10
9.10 Post-amble.....	10
9.11 Null P-PDU.....	10
9.12 Data P-PDU.....	10
10 PHY data unit (P-DU)	10
11 Segmentation and reassembly	11
12 TDS	11
13 LBT and synchronisation	12
13.1 LBT.....	12
13.2 Synchronisation.....	12
14 Association procedure	13
15 Communication	15
15.1 General.....	15
15.2 Full duplex communication.....	15
15.3 Broadcast communication.....	17
Annex A (normative) Tests	19
Annex B (informative) Guidance for implementation of this document	57
Bibliography	58

Foreword

ISO (the International Organization for Standardization) and IEC (the International Electrotechnical Commission) form the specialized system for worldwide standardization. National bodies that are members of ISO or IEC participate in the development of International Standards through technical committees established by the respective organization to deal with particular fields of technical activity. ISO and IEC technical committees collaborate in fields of mutual interest. Other international organizations, governmental and non-governmental, in liaison with ISO and IEC, also take part in the work.

The procedures used to develop this document and those intended for its further maintenance are described in the ISO/IEC Directives, Part 1. In particular, the different approval criteria needed for the different types of document should be noted. This document was drafted in accordance with the editorial rules of the ISO/IEC Directives, Part 2 (see www.iso.org/directives or www.iec.ch/members_experts/refdocs).

Attention is drawn to the possibility that some of the elements of this document may be the subject of patent rights. ISO and IEC shall not be held responsible for identifying any or all such patent rights. Details of any patent rights identified during the development of the document will be in the Introduction and/or on the ISO list of patent declarations received (see www.iso.org/patents) or the IEC list of patent declarations received (see patents.iec.ch).

Any trade name used in this document is information given for the convenience of users and does not constitute an endorsement.

For an explanation of the voluntary nature of standards, the meaning of ISO specific terms and expressions related to conformity assessment, as well as information about ISO's adherence to the World Trade Organization (WTO) principles in the Technical Barriers to Trade (TBT) see www.iso.org/iso/foreword.html. In the IEC, see www.iec.ch/understanding-standards.

This document was prepared by Joint Technical Committee ISO/IEC JTC 1, *Information technology, Subcommittee SC 6, Telecommunications and information exchange between systems* in cooperation with Ecma International.

This second edition cancels and replaces the first edition (ISO/IEC 17982:2012), which has been technically revised.

The main changes compared to the previous edition are as follows:

- The document has been fully aligned with the editorial rules in ISO/IEC Directives, Part 2.
- [Annex B](#) has been added to guide an implementation for small size and low power devices.

Any feedback or questions on this document should be directed to the user's national standards body. A complete listing of these bodies can be found at www.iso.org/members.html and www.iec.ch/national-committees.

Information technology — Telecommunications and information exchange between systems — Close capacitive coupling communication physical layer (CCCC PHY)

1 Scope

This document specifies the close capacitive coupling communication physical layer (CCCC PHY) for full duplex and broadcast communication in time slots on frequency division multiplex channels.

NOTE An implementation for small size and low power devices is provided in [Annex B](#).

2 Normative references

The following documents are referred to in the text in such a way that some or all of their content constitutes requirements of this document. For dated references, only the edition cited applies. For undated references, the latest edition of the referenced document (including any amendments) applies.

ISO/IEC 7498-1, *Information technology — Open Systems Interconnection — Basic Reference Model: The Basic Model*

ITU-T Rec. V.41, *Data communication over the telephone network — Code-independent error-control system*

3 Terms, definitions and abbreviated terms

3.1 Terms and definitions

For the purposes of this document, the terms and definitions given in ISO/IEC 7498-1 and the following apply.

ISO and IEC maintain terminological databases for use in standardization at the following addresses:

- ISO Online browsing platform: available at <https://www.iso.org/obp>
- IEC Electropedia: available at <http://www.electropedia.org/>

3.1.1

listener

entity that does not initiate communication

3.1.2

talker

entity that initiates communication

3.2 Abbreviated terms

CRC	cyclic redundancy check
CCCC	close capacitive coupling communication
DUT	device under test

FDC	frequency division channel
LBT	listen before talk
LEN	length
P-DU	PHY data unit
P-PDU	PHY PDU
PHY	physical layer
RFU	reserved for future use
TDS	time division slot

4 Conventions and notations

The following conventions and notations apply in this document.

- A sequence of characters of 'A', 'B', 'C', 'D', 'E' or 'F' and decimal digits in parentheses represent numbers in hexadecimal notation unless followed by a 'b' character.
- Numbers in binary notation and bit patterns are represented by a sequence of 0 and 1 digits or 'X' characters in parentheses followed by a 'b' character, e.g. (0X11X010)b. Where X indicates that the setting of a bit is not specified, and the leftmost bit is the most significant bit unless the sequence is a bit pattern.

(<https://standards.iteh.ai>)
Document Preview

5 Conformance

Conforming entities implement:

- both talker and listener;
- listen before talk (LBT) for both talker and listener;
- the capability to execute association on FDC2 and to communicate on (FDC0 and FDC1), (FDC3 and FDC4), or (FDC0, FDC1, FDC3 and FDC4);
- the capability for talkers and listeners to use any of the 8 TDS on an FDC;
- both full duplex and broadcast communication, and pass the tests specified in [Annex A](#).

6 Architecture

The protocol architecture of CCCC follows ISO/IEC 7498-1 as the basic model. CCCC devices communicate through mediators, such as conductive and dielectric materials.

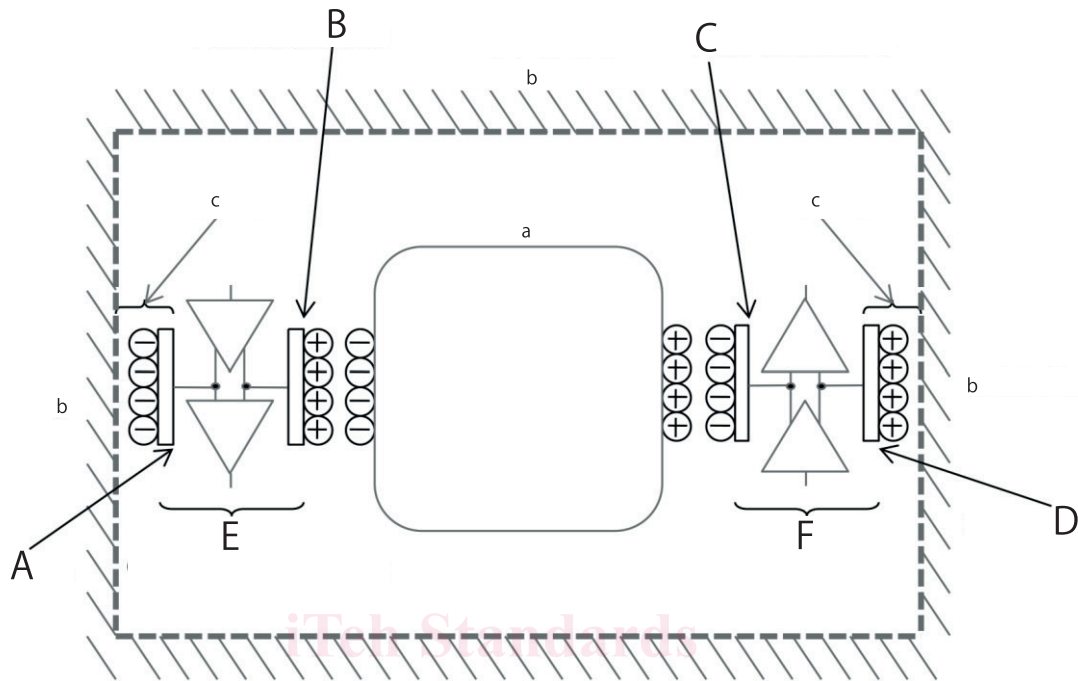
Plate-electrodes for CCCC device E and F are equivalent to the reference plate-electrode assembly.

The plate-electrode A faces to the imaginary point at infinity and the plate-electrode B faces to the mediator. The plate-electrode C faces to the mediator and the plate-electrode D faces to the imaginary point at infinity. See [Figure 1](#).

[Figure 2](#) is the equivalent circuit of [Figure 1](#). The voltage of X is the potential of the point at infinity. The voltage of Y is the potential of the point at infinity. It is deemed that the potential of X and Y is identical. Therefore, X and Y is imaginary short. Consequently, devices E and F are able to send and receive signal.

Regarding the information transfers from CCCC devices E to F, device E changes the voltage between plate-electrode A and B. It changes the electric charge between plate-electrode B and the mediator.

The change in electric charge affects device F by the capacitive coupling between plate-electrode C and mediator. Plate-electrodes A and B and plate-electrodes C and D have potential differences of reverse polarity; therefore, device F senses the information as changes in voltage between plate-electrode C and D.

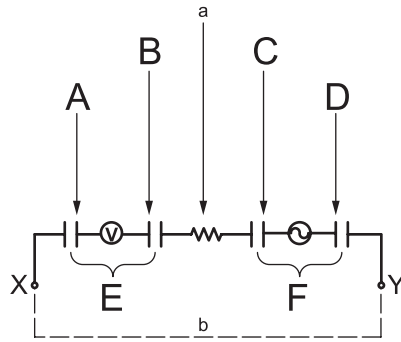


Key

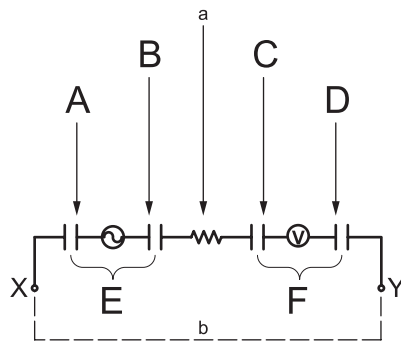
Components

- A plate-electrode A
- B plate-electrode B
- C plate-electrode C
- D plate-electrode D
- E CCCC device E
- F CCCC device F
- a Mediator, conductive materials or dielectric materials.
- b Point at infinity.
- c Electrostatic capacity.

Figure 1 — Electrical models



a) Device E is listening and device F is talking



b) Device E is talking and device F is listening

Key

Components

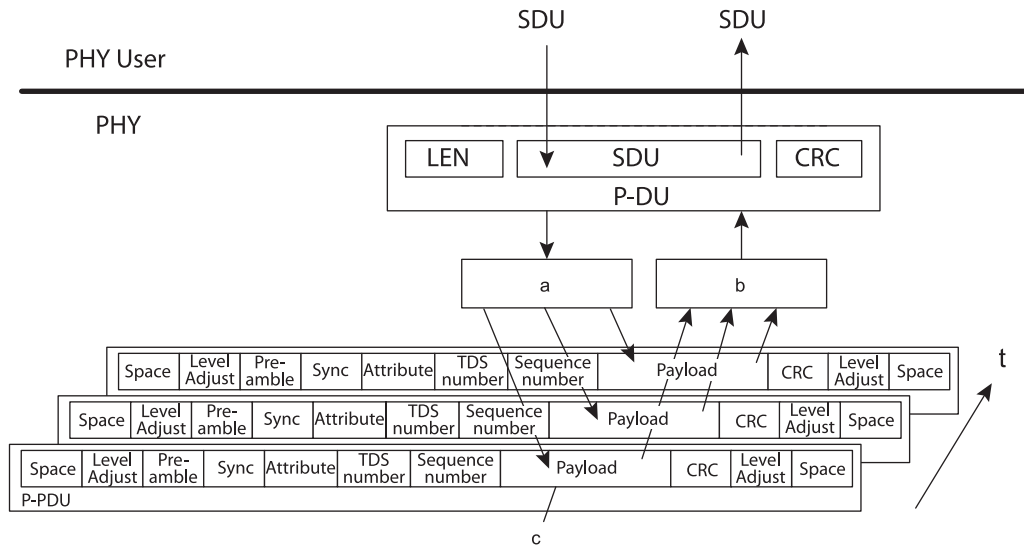
- A plate-electrode A
- B plate-electrode B
- C plate-electrode C
- D plate-electrode D
- E Closed Capacitive Coupling Communication device E
- F Closed Capacitive Coupling Communication device F
- a Conductive materials or dielectric materials.
- b Imaginary short.

Figure 2 — Equivalent circuit

Information transfer between CCCC devices E and F takes place by synchronous communication, see subclause 13.1. Subclause 8.2.1 specifies five frequency division channels (FDC) by division of the centre frequency. Each FDC consists of a sequence of time-segments. Each time-segment consists of eight time division slots (TDS) for time division multiple-access, see Clause 12. Peers use the listen before talk (LBT) procedure in subclause 13.1 to ascertain that a TDS is not occupied. The TDSs are negotiated using the association procedure specified in Clause 14.

Subclauses 15.1 and 15.2 specify full duplex and broadcast communication respectively. In full duplex communication, talkers and listeners exchange P-PDUs (see Clause 9) by synchronous communication. In broadcast communication, talkers broadcast P-PDUs and listeners receive P-PDUs without acknowledgment.

Length information and CRC is added to the SDU to construct a PHY data unit (P-DU), see Clause 10. The sender segments the P-DU into P-PDUs. The receiving entity reassembles the P-PDUs into the P-DU, see Clause 11, and forwards the SDU to its PHY user as illustrated in Figure 3.

**Key**

- a Segmentation.
- b Reassembly.
- c Segmented P-PDU.
- t time

Figure 3 — PHY model**7 Reference plate-electrode assembly**

The reference plate-electrode assembly for the CCCC devices shall consist of plate-electrode A and plate-electrode B as specified in [Figure 4](#). Dimensional characteristics are specified for those parameters deemed to be mandatory.

$$a = 20,0 \pm 0,1 \text{ mm}$$

$$b = 20,0 \pm 0,1 \text{ mm}$$

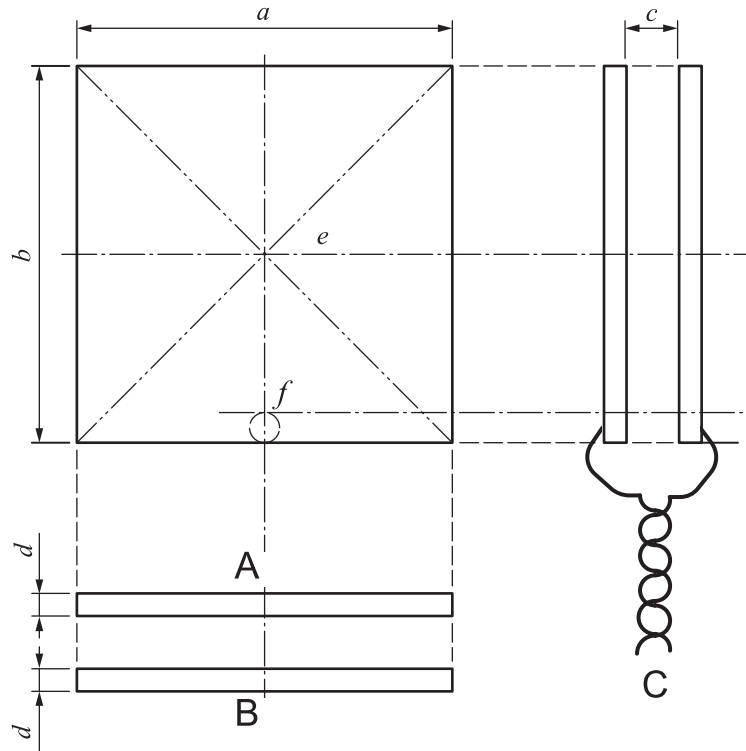
The distance c between plate-electrode A and B shall be $5,0 \pm 0,1 \text{ mm}$ by horizontal flat surface.

$$d = 0,30 \pm 0,03 \text{ mm}$$

The displacement of centre of area e between plate-electrode A and B shall be a maximum of 0,1 mm.

The material of the plate-electrodes shall be 99 % to 100 % copper or equivalent.

The twisted-pair wire shall be connected inside the circle area f specified in [Figure 4](#). The circle area f has a diameter of $2,0 \pm 0,5 \text{ mm}$. The twisted-pair wire shall be stranded wire and 26, 27, or 28 specified American Wire Gauge. The length of the twisted-pair wire for the reference plate-electrode assembly shall be less than 1,0 m.



- Key**
- Components**
- A plate-electrode A
 - B plate-electrode B
 - C twist-pair wire

iTeh Standards
 (https://standards.itih.ai)
 Document Preview

Figure 4 — CCCC reference plate-electrode assembly

<https://standards.itih.ai/catalog/standards/iso/9d534457-d99e-4af9-8a2e-77804352258d/iso-iec-17982-2021>

8 PHY parameters

8.1 Voltage conditions

The following conditions of the voltage between the outer and the inner plate-electrode shall be used for communication:

- $+m$ Volts;
- $-m$ Volts;
- 0 Volt;
- OPEN.

The value m depends on implementations. 0 Volt is achieved by shorting the two plate-electrodes in a plate-electrode assembly. OPEN is achieved by disconnection of the plate-electrode assembly from the driver circuits.

8.2 Bit representation

8.2.1 Bit duration

The centre frequency f_c is $40,68 \text{ MHz} \pm 50 \text{ Hz/MHz}$.

The bit duration T equals D/f_c seconds.

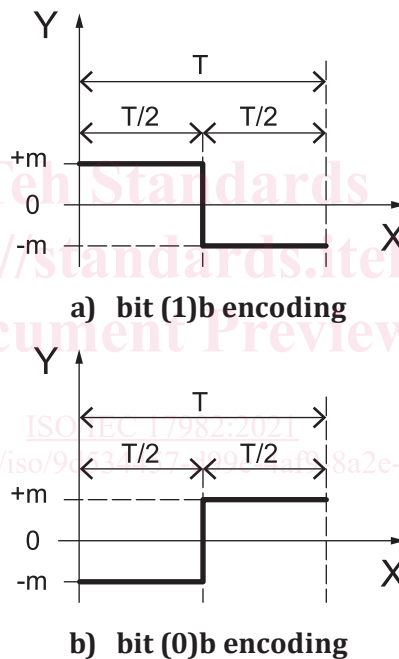
[Table 1](#) specifies the relation between FDC and D .

Table 1 — FDC and D

FDC	D
0	11
1	7
2	5
3	3
4	1

8.2.2 Bit encoding

Manchester bit encoding is specified in [Figure 5](#). Depending on the relative orientation, bits are received with either positive or negative polarity. The half bit time transition shall be between $0,4 T$ and $0,6 T$.



Key

- X time
- T bit time

Figure 5 — Bit encoding

8.3 Transmission

P-PDUs shall be transmitted byte-wise in the sequence specified in subclause [9.1](#). Bytes shall be transmitted with the least significant bit first.

8.4 DC balance of a P-PDU

The DC balance of a P-PDU is $(S_p - S_n) / (S_p + S_n) \times 100$ [%] where S_p is the integral of the positive voltage parts of one P-PDU and where S_n is the integral of the negative voltage parts of one P-PDU. The DC balance shall be less than ± 10 % per P-PDU.

8.5 Reception of a P-PDU

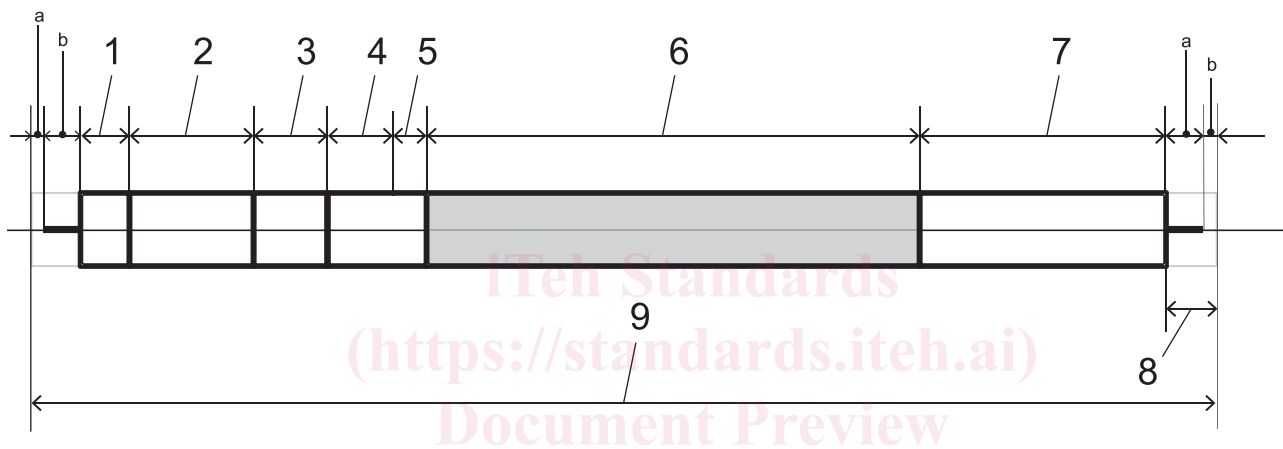
While receiving a P-PDU, receivers shall put the voltage condition to OPEN.

9 P-PDU

9.1 Structure

Figure 6 specifies the P-PDU as a sequence of 0,5 T of space, 1,5 T of level adjust, 2 T of pre-amble, 5 T of sync, 2 T of attribute, 3 T of TDS number, 2 T of sequence number, 32 T of payload, 16 T of CRC, and 2 T of post-amble. The P-PDU continues/ends with 1,5T of level adjust and another 0,5T space. The bit encoding specified in 8.2.2 shall be applied to attribute, TDS number, sequence number, payload, and CRC.

66 T is represented by $t_1, t_2, t_3, \dots, t_{66}$.



Key

- 1 pre-amble (2 T)
- 2 sync (5 T)
- 3 attribute (2 T)
- 4 TDS number (3 T)
- 5 sequence number (2 T)
- 6 payload (32 T)
- 7 CRC (16 T)
- 8 postamble (2 T)
- 9 P-PDU (66 T)
- a Space (0,5 T).
- b Level adjust (1,5 T).

Figure 6 — P-PDU structure

9.2 Space

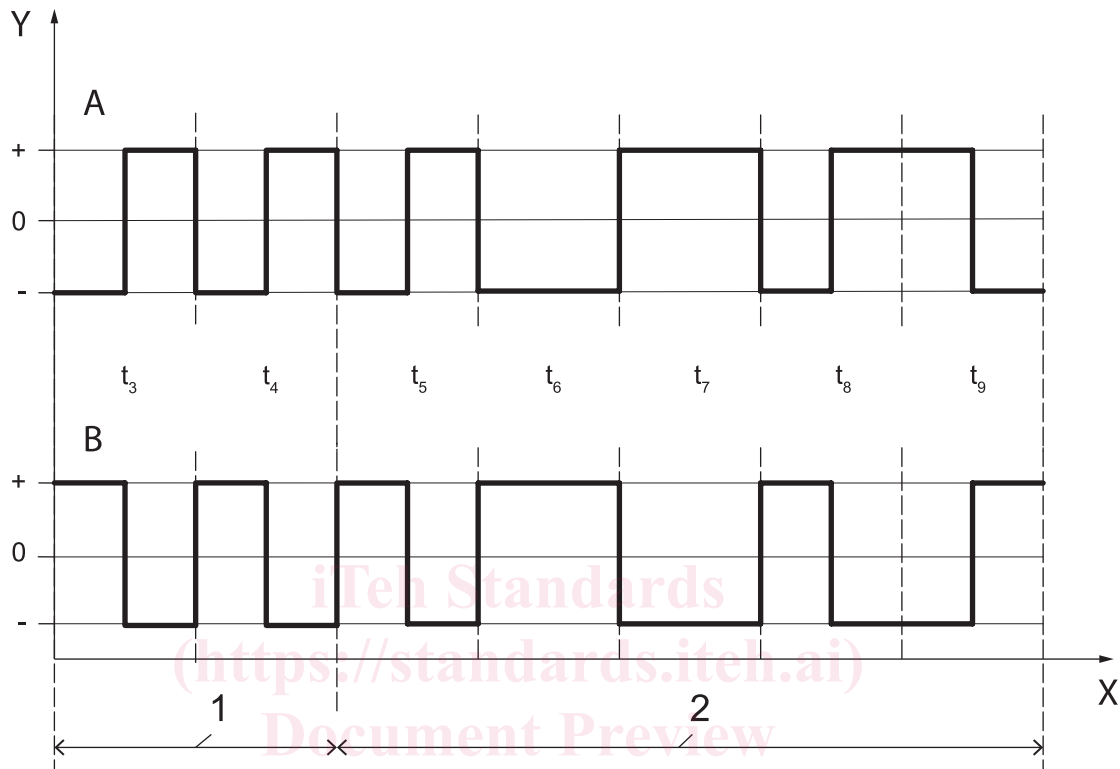
The space duration shall be 0,5 T with voltage condition OPEN.

9.3 Level adjust

Level adjust shall be 1,5 T of 0 Volt.

9.4 Pre-amble and Sync

Figure 7 specifies pre-amble and sync patterns. The transmitter shall apply pattern P. If the receiver detects sync pattern P then it shall decode the bits in a P-PDU as positive polarity. If the receiver detects sync pattern Q then it shall decode the bits in a P-PDU as negative polarity. The divisor value shall be detected from pre-amble and sync. Other patterns shall not be handled as pre-amble and sync.



Key

- 1 pre-amble (2 T)
- 2 sync (5 T)
- X time
- T bit time

Figure 7 — Pre-amble and sync patterns

9.5 Attribute

Table 2 specifies the bit encodings of the attribute settings in a P-PDU. If a receiver gets RFU attribute settings it shall ignore the P-PDU and stay mute.

Table 2 — Attribute settings

t ₁₀	t ₁₁	Definition	
		FDC2	FDC0, FDC1, FDC3, and FDC4
0	0	Association request 1 or Association response 2	null P-PDU
0	1	Association response 1 or Association request 2	last data P-PDU
1	0	RFU	first data P-PDU
1	1	RFU	data P-PDU between the first and the last data P-PDU

9.6 TDS number

The TDS number field shall indicate the slot number in which the P-PDU is sent; numbers 1 to 8 are identified by (000)b to (111)b.

9.7 Sequence number

9.7.1 Initial and range

P-PDUs shall be identified by the sequence numbers in the range of (00)b to (11)b. The first P-PDU shall have (00)b in the sequence number field.

9.7.2 Acknowledgement

To acknowledge correct reception, receivers shall increment the sequence number by 1 (modulo 4) from the correctly received P-PDU as the sequence number in the next P-PDU.

9.8 Payload

The payload field of a P-PDU contains 4 bytes.

9.9 CRC

The scope of CRC shall be the last 1 T of sync as a bit, attribute, TDS number, sequence number, and payload. The CRC shall be calculated according to ITU-T V.41 with pre-set value (FF FF). If the CRC of the received P-PDU and the calculated CRC upon reception differ, the P-DU shall be ignored.

Example with attribute (11)b, TDS number (010)b, sequence number (10)b, payload (55 AA 00 FF) the CRC is (6F AB).

9.10 Post-amble

Post-ambles consist of 1,5 T of level adjust and 0,5 T of Space.

9.11 Null P-PDU

Null P-PDUs have attribute of (00)b and a payload (00 00 00 00).

9.12 Data P-PDU

Data P-PDUs have a payload with a (possibly segmented) P-DU.

10 PHY data unit (P-DU)

[Figure 8](#) specifies the P-DU. It shall consist of LEN, SDU, and CRC.