
**Rubber, vulcanized — Determination
of creep in compression or shear**

*Caoutchouc vulcanisé — Détermination du fluage en compression ou
en cisaillement*

iTeh STANDARD PREVIEW
(standards.iteh.ai)

[ISO 8013:2019](https://standards.iteh.ai/catalog/standards/sist/192fb523-4f5f-48bd-8221-f1e55d1adeae/iso-8013-2019)

[https://standards.iteh.ai/catalog/standards/sist/192fb523-4f5f-48bd-8221-
f1e55d1adeae/iso-8013-2019](https://standards.iteh.ai/catalog/standards/sist/192fb523-4f5f-48bd-8221-f1e55d1adeae/iso-8013-2019)



iTeh STANDARD PREVIEW
(standards.iteh.ai)

ISO 8013:2019

<https://standards.iteh.ai/catalog/standards/sist/192fb523-4f5f-48bd-8221-f1e55d1adeae/iso-8013-2019>



COPYRIGHT PROTECTED DOCUMENT

© ISO 2019

All rights reserved. Unless otherwise specified, or required in the context of its implementation, no part of this publication may be reproduced or utilized otherwise in any form or by any means, electronic or mechanical, including photocopying, or posting on the internet or an intranet, without prior written permission. Permission can be requested from either ISO at the address below or ISO's member body in the country of the requester.

ISO copyright office
CP 401 • Ch. de Blandonnet 8
CH-1214 Vernier, Geneva
Phone: +41 22 749 01 11
Fax: +41 22 749 09 47
Email: copyright@iso.org
Website: www.iso.org

Published in Switzerland

Contents

	Page
Foreword	iv
Introduction	v
1 Scope	1
2 Normative references	1
3 Terms and definitions	1
4 Apparatus	2
4.1 Thickness-measuring device.....	2
4.2 Compression device for measurement in compression.....	2
4.3 Shear device for measurements in shear.....	2
4.4 Temperature-controlled chamber.....	3
4.5 Timer.....	3
5 Calibration	7
6 Test piece	8
6.1 Test piece for measurements in compression.....	8
6.2 Test piece for measurements in shear.....	8
6.3 Number.....	8
7 Time-lapse between vulcanization and testing	9
8 Mechanical conditioning	10
9 Test temperature	10
10 Procedure	10
10.1 Testing.....	10
10.2 Duration of test.....	11
11 Calculation of results	11
11.1 Creep increment.....	11
11.1.1 In compression.....	11
11.1.2 In shear.....	11
11.2 Creep index.....	12
11.2.1 In compression.....	12
11.2.2 In shear.....	12
11.3 Compliance increment.....	13
11.3.1 In compression.....	13
11.3.2 In shear.....	13
12 Expression of results	13
13 Test report	14
Annex A (informative) Values of forces required for rubbers of different hardnesses	15
Annex B (normative) Calibration schedule	16
Bibliography	19

Foreword

ISO (the International Organization for Standardization) is a worldwide federation of national standards bodies (ISO member bodies). The work of preparing International Standards is normally carried out through ISO technical committees. Each member body interested in a subject for which a technical committee has been established has the right to be represented on that committee. International organizations, governmental and non-governmental, in liaison with ISO, also take part in the work. ISO collaborates closely with the International Electrotechnical Commission (IEC) on all matters of electrotechnical standardization.

The procedures used to develop this document and those intended for its further maintenance are described in the ISO/IEC Directives, Part 1. In particular, the different approval criteria needed for the different types of ISO documents should be noted. This document was drafted in accordance with the editorial rules of the ISO/IEC Directives, Part 2 (see www.iso.org/directives).

Attention is drawn to the possibility that some of the elements of this document may be the subject of patent rights. ISO shall not be held responsible for identifying any or all such patent rights. Details of any patent rights identified during the development of the document will be in the Introduction and/or on the ISO list of patent declarations received (see www.iso.org/patents).

Any trade name used in this document is information given for the convenience of users and does not constitute an endorsement.

For an explanation of the voluntary nature of standards, the meaning of ISO specific terms and expressions related to conformity assessment, as well as information about ISO's adherence to the World Trade Organization (WTO) principles in the Technical Barriers to Trade (TBT), see www.iso.org/iso/foreword.html.

This document was prepared by Technical Committee ISO/TC 45, *Rubber and rubber products*, Subcommittee SC 2, *Testing and analysis*.

This fourth edition cancels and replaces the third edition (ISO 8013:2012), of which it constitutes a minor revision. A few editorial changes have been made including updating the publication dates of normative references in [Clause 2](#).

Any feedback or questions on this document should be directed to the user's national standards body. A complete listing of these bodies can be found at www.iso.org/members.html.

Introduction

When a constant stress is applied to rubber, the deformation is not constant but increases gradually with time; this behaviour is called “creep”. Conversely, when rubber is subjected to a constant strain, a decrease in the stress in the material takes place; this behaviour is called “stress relaxation”.

The creep test is of particular interest where vulcanized rubbers are used to support a constant load, such as in bearings or mountings.

The processes responsible for creep can be physical or chemical in nature, and under all normal conditions both processes will occur simultaneously. However, at normal or low temperatures and/or short times, creep is dominated by physical processes, while at high temperatures and/or long times, chemical processes are dominant. In general, physical creep is found to be directly proportional to logarithmic time, and chemical creep to linear time; but great care has to be taken in extrapolating time/creep curves in order to predict creep after periods considerably longer than those covered by the test, and in using tests at higher temperatures as accelerated tests to give information on creep at lower temperatures.

In addition to the need to specify the temperature intervals and time intervals in a creep test, it is also necessary to specify the initial strain and the previous mechanical history of the test piece, since these might also influence the measured creep, particularly in rubbers containing filler.

iTeh STANDARD PREVIEW (standards.iteh.ai)

[ISO 8013:2019](https://standards.iteh.ai/catalog/standards/sist/192fb523-4f5f-48bd-8221-f1e55d1adeae/iso-8013-2019)

<https://standards.iteh.ai/catalog/standards/sist/192fb523-4f5f-48bd-8221-f1e55d1adeae/iso-8013-2019>

iTeh STANDARD PREVIEW
(standards.iteh.ai)

ISO 8013:2019

<https://standards.iteh.ai/catalog/standards/sist/192fb523-4f5f-48bd-8221-f1e55d1adeae/iso-8013-2019>

Rubber, vulcanized — Determination of creep in compression or shear

WARNING 1 — Persons using this document should be familiar with normal laboratory practice. This document does not purport to address all of the safety problems, if any, associated with its use. It is the responsibility of the user to establish appropriate safety and health practices and to determine the applicability of any other restrictions.

WARNING 2 — Certain procedures specified in this document might involve the use or generation of substances, or the generation of waste, that could constitute a local environmental hazard. Reference should be made to appropriate documentation on safe handling and disposal after use.

1 Scope

This document specifies a method for the determination of creep in vulcanized rubber continuously subjected to compressive or to shear forces. The standard cannot be used for intermittent deformation of rubber.

2 Normative references

The following documents are referred to in the text in such a way that some or all of their content constitutes requirements of this document. For dated references, only the edition cited applies. For undated references, the latest edition of the referenced document (including any amendments) applies.

ISO 1827, *Rubber, vulcanized or thermoplastic — Determination of shear modulus and adhesion to rigid plates — Quadruple-shear methods*

ISO 4664-1, *Rubber, vulcanized or thermoplastic — Determination of dynamic properties — Part 1: General guidance*

ISO 18899:2013, *Rubber — Guide to the calibration of test equipment*

ISO 23529, *Rubber — General procedures for preparing and conditioning test pieces for physical test methods*

3 Terms and definitions

For the purposes of this document, the following terms and definitions apply.

ISO and IEC maintain terminological databases for use in standardization at the following addresses:

— ISO Online browsing platform: available at <https://www.iso.org/obp>

— IEC Electropedia: available at <http://www.electropedia.org/>

3.1

creep increment

increase in strain which occurs in a specified time interval under constant force and at constant temperature

Note 1 to entry: It is expressed as the ratio of the increase in deformation over the time interval to the initial, unstrained thickness.

3.2 creep index

relative increase in strain which occurs in a specified time interval under constant force and at constant temperature

Note 1 to entry: It is expressed as the ratio of the increase in the strain over the time interval to the strain at the beginning of the interval.

3.3 compliance increment

ratio of the increase in strain which occurs in a specified time interval under constant force and at constant temperature to the constant stress applied

4 Apparatus

4.1 Thickness-measuring device

Thickness measurements shall be made using a device complying with either ISO 23529 or the test apparatus described in 4.2. It shall be capable of measuring the test piece thickness to the nearest 0,1 mm. It shall have plates of diameter at least 30 mm. The dial gauge shall be fitted with a flat contact perpendicular to the plunger and parallel to the base plate and shall operate with a foot pressure of (22 ± 5) kPa.

4.2 Compression device for measurement in compression

The apparatus shall consist of two parallel, flat steel plates between which the prepared test piece is compressed. In the case of unbonded test pieces, the plates shall be highly polished with a surface finished to not worse than 0,2 μm arithmetic mean deviation from the mean line of the profile. It is recommended that the operating surfaces of the plates be lubricated. The plates shall be sufficiently rigid to withstand the force without bending and of sufficient size to ensure that the whole of the compressed test piece is within the area of the plates.

NOTE For most purposes, a silicone or fluorosilicone liquid having a kinematic viscosity of 0,01 m^2/s at standard laboratory temperature is a suitable lubricant.

One of the plates shall be rigidly mounted so that it does not move in any direction under the action of the compressive force. The other plate shall be able to move in a friction-free manner in one direction only, i.e. in a direction coincident with the axis of the test piece (see Figures 1 and 2).

The apparatus shall be capable of applying the full force with negligible overshoot and maintaining it constant to within 0,1 %. The mechanism for applying the force shall be such that the line of action of the applied force remains coincident with the axis of the test piece as it creeps.

Suitable equipment shall be connected to the compression device so that the deformation of the test piece can be determined, to an accuracy of $\pm 0,1$ % of the initial test piece thickness, at different times after the force has been fully applied.

Many types of apparatus have been used, with mechanical, electronic or optical measurement of deformation. Figure 2 shows a typical example using a micrometer dial gauge for the determination of creep in compression. The measuring device shall not exert a pressure of more than 22 kPa on the test piece before the test load is applied.

If the tests are carried out at an elevated temperature, the test piece and the flat plates of the compression device shall be inside a temperature-controlled chamber (see 4.4).

4.3 Shear device for measurements in shear

The apparatus shall be capable of measuring the shear deflection in the test piece due to the application of a constant shear force.

The apparatus shall be capable of applying the full force with negligible overshoot and maintaining it constant to within 0,1 %.

The force shall be applied either to the central metal plate, with the outer plates rigidly mounted, or to the outer metal plates with the central plate rigidly mounted. The line of action of the applied force shall be in the plane of the central plate, and pass through its centre in a direction perpendicular to the undeformed rubber test pieces. This line of action shall be maintained as the test piece creeps (see [Figure 3](#)).

The movement of the central plate relative to the outer plates shall be in a friction-free manner and only in the direction of the line of action of the applied force.

Suitable equipment shall be connected to the test piece so that relative movement of the central plate with respect to the outside plates can be determined with an accuracy of $\pm 0,01$ mm at different times after the force has been fully applied.

If the tests are carried out at an elevated temperature, the test piece and the flat plates to which it is bonded shall be inside a temperature-controlled chamber (see [4.4](#)).

[Figure 4](#) shows a typical shear test fixture.

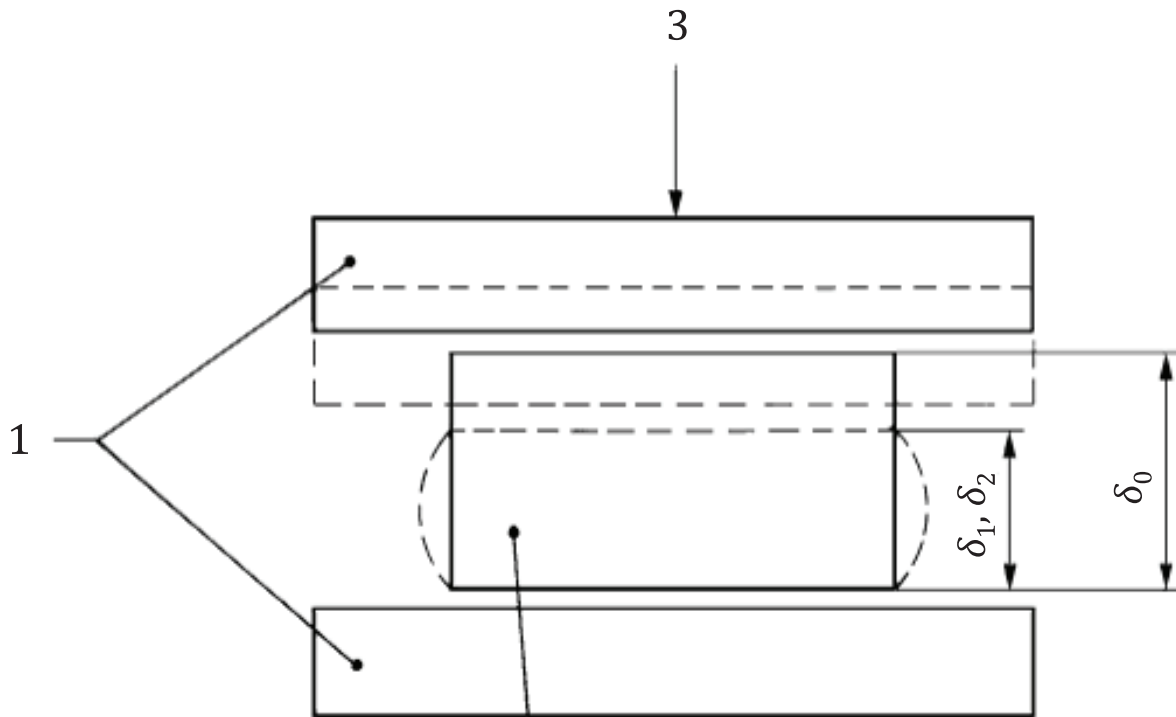
4.4 Temperature-controlled chamber

If the tests are to be carried out at an elevated temperature, a test chamber shall be used, constructed in accordance with ISO 23529, and provided with temperature control to maintain the specified air temperature within the tolerances given in [Clause 9](#). Satisfactory circulation of the air shall be achieved by means of a fan. Care shall be taken to minimize change in temperature of the test piece by conduction through metal parts which are connected with the outside of the chamber or by direct radiation from heaters within the chamber.

4.5 Timer

ISO 8013:2019
<https://standards.iteh.ai/catalog/standards/sist/192fb523-45f-48bd-8221-f1e55d1adeae/iso-8013-2019>

Use a timer reading in seconds and minutes.



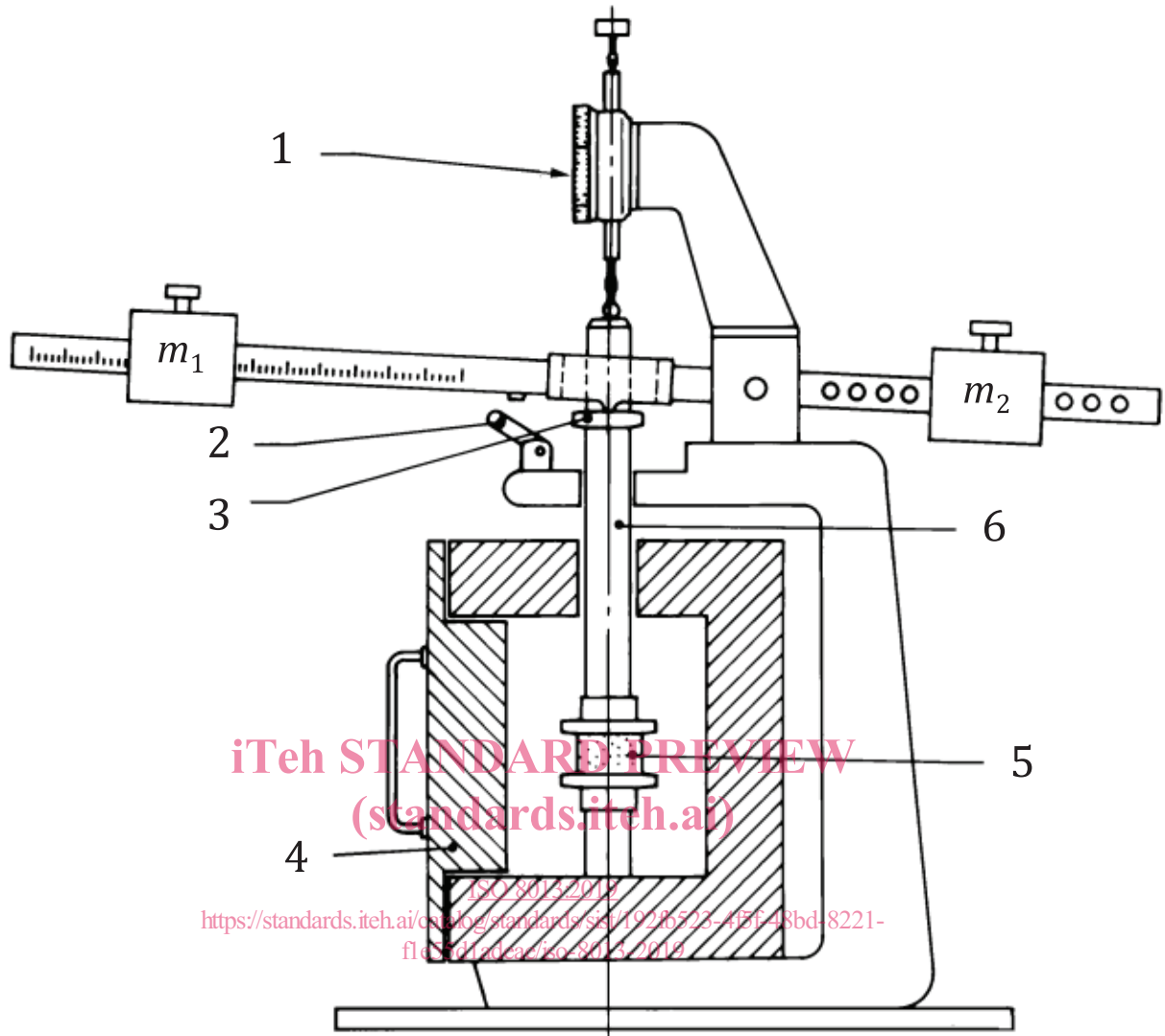
iTeh STANDARD PREVIEW
(standards.iteh.ai)

Key

- 1 steel plates
- 2 test piece
- 3 line of action of compressive force
- δ_0 initial thickness

ISO 8013:2019
<https://standards.iteh.ai/catalog/standards/sist/192fb523-4f5f-48bd-8221-f1e55d1adeae/iso-8013-2019>

Figure 1 — Test piece in compression



Key

- | | |
|-----------------|----------------------------------|
| 1 dial gauge | 4 temperature-controlled chamber |
| 2 locking lever | 5 test piece |
| 3 setting ring | 6 ceramic bar |

Figure 2 — Example of test arrangement for creep in compression with temperature-controlled chamber