
**Cellular plastics — Determination of
horizontal burning characteristics of
small specimens subjected to a small
flame**

*Plastiques alvéolaires — Détermination des caractéristiques de
combustion de petites éprouvettes en position horizontale, soumises à
une petite flamme*

iTeh STANDARD PREVIEW
(standards.iteh.ai)

ISO 9772:2020

<https://standards.iteh.ai/catalog/standards/sist/79590739-ad97-4d75-8830-40b5ba13404c/iso-9772-2020>



iTeh STANDARD PREVIEW (standards.iteh.ai)

ISO 9772:2020

<https://standards.iteh.ai/catalog/standards/sist/79590739-ad97-4d75-8830-40b5ba13404c/iso-9772-2020>



COPYRIGHT PROTECTED DOCUMENT

© ISO 2020

All rights reserved. Unless otherwise specified, or required in the context of its implementation, no part of this publication may be reproduced or utilized otherwise in any form or by any means, electronic or mechanical, including photocopying, or posting on the internet or an intranet, without prior written permission. Permission can be requested from either ISO at the address below or ISO's member body in the country of the requester.

ISO copyright office
CP 401 • Ch. de Blandonnet 8
CH-1214 Vernier, Geneva
Phone: +41 22 749 01 11
Email: copyright@iso.org
Website: www.iso.org

Published in Switzerland

Contents

Page

Foreword.....	iv
Introduction.....	v
1 Scope.....	1
2 Normative references.....	1
3 Terms and definitions.....	1
4 Significance of test.....	2
5 Apparatus.....	3
6 Specimens.....	7
6.1 Extended application of test results.....	7
6.2 Preparation of specimens.....	8
7 Conditioning.....	8
7.1 Specimens.....	8
7.2 Cotton indicator.....	9
8 Test procedure.....	9
8.1 Adjustment of the flame.....	9
8.2 Adjustment of specimen support.....	10
8.3 Positioning of cotton indicator.....	11
8.4 Positioning of specimen.....	11
8.5 Burning procedure.....	11
8.6 Measurements.....	11
8.7 Preparation for the next test.....	12
9 Calculations.....	12
10 Precision.....	13
11 Test report.....	13
Annex A (informative) Classification system.....	14
Bibliography.....	16

Foreword

ISO (the International Organization for Standardization) is a worldwide federation of national standards bodies (ISO member bodies). The work of preparing International Standards is normally carried out through ISO technical committees. Each member body interested in a subject for which a technical committee has been established has the right to be represented on that committee. International organizations, governmental and non-governmental, in liaison with ISO, also take part in the work. ISO collaborates closely with the International Electrotechnical Commission (IEC) on all matters of electrotechnical standardization.

The procedures used to develop this document and those intended for its further maintenance are described in the ISO/IEC Directives, Part 1. In particular, the different approval criteria needed for the different types of ISO documents should be noted. This document was drafted in accordance with the editorial rules of the ISO/IEC Directives, Part 2 (see www.iso.org/directives).

Attention is drawn to the possibility that some of the elements of this document may be the subject of patent rights. ISO shall not be held responsible for identifying any or all such patent rights. Details of any patent rights identified during the development of the document will be in the Introduction and/or on the ISO list of patent declarations received (see www.iso.org/patents).

Any trade name used in this document is information given for the convenience of users and does not constitute an endorsement.

For an explanation of the voluntary nature of standards, the meaning of ISO specific terms and expressions related to conformity assessment, as well as information about ISO's adherence to the World Trade Organization (WTO) principles in the Technical Barriers to Trade (TBT), see www.iso.org/iso/foreword.html.

This document was prepared by Technical Committee ISO/TC 61, *Plastics*, Subcommittee SC 4, *Burning behaviour*.

This fourth edition cancels and replaces the third edition (ISO 9772:2012), which has been technically revised.

The main changes compared to the previous edition are as follows:

- better definitions of positions of specimen on wire mesh and of burner have been provided;
- requirements for materials that show different damaged lengths on top and bottom faces of the specimen have been specified;
- dimensions of cotton indicator have been reduced;
- reference to ASTM E2016 has been added.

Any feedback or questions on this document should be directed to the user's national standards body. A complete listing of these bodies can be found at www.iso.org/members.html.

Introduction

Cellular plastics are widely used in products for packaging, building, housing, industry and transport, in various applications. The burning behaviour of cellular plastics is a concern for the fire safety of these products. This document gives a method for the determination of the burning behaviour of cellular plastics using a small flame source.

The burning behaviour of cellular plastics is influenced by the test specimen orientation (vertical or horizontal). This method of test evaluates specimens which are oriented horizontally.

The method described is also intended as a pre-selection test for materials used for components of devices and appliances. The final acceptance of the material is dependent upon its use in complete equipment that conforms with the standards applicable to such equipment.

It should be noted that the test results obtained by the test specified in this document alone cannot represent all the aspects of the fire hazard of cellular plastics in end-use conditions.

iTeh STANDARD PREVIEW (standards.iteh.ai)

[ISO 9772:2020](https://standards.iteh.ai/catalog/standards/sist/79590739-ad97-4d75-8830-40b5ba13404c/iso-9772-2020)

<https://standards.iteh.ai/catalog/standards/sist/79590739-ad97-4d75-8830-40b5ba13404c/iso-9772-2020>

iTeh STANDARD PREVIEW
(standards.iteh.ai)

ISO 9772:2020

<https://standards.iteh.ai/catalog/standards/sist/79590739-ad97-4d75-8830-40b5ba13404c/iso-9772-2020>

Cellular plastics — Determination of horizontal burning characteristics of small specimens subjected to a small flame

1 Scope

1.1 This document specifies a small-scale laboratory screening procedure for comparing the relative burning characteristics of horizontally oriented, small cellular plastic specimens having a density less than $250 \text{ kg}\cdot\text{m}^{-3}$ determined in accordance with ISO 845, when exposed to a small-flame ignition source.

NOTE Another International Standard which covers flexible cellular plastic and cellular rubber is ISO 3582[2].

1.2 This method of test is intended for quality assurance and limited product evaluation of cellular plastic materials under controlled laboratory conditions, and is not intended to assess the fire behaviour of, for example, building materials or furnishings under actual fire conditions.

1.3 The optional classification system described in Annex A is intended for the pre-selection of cellular plastic materials for products, including the determination of the ranges of material parameters that give the same classification (see 6.1).

2 Normative references

The following documents are referred to in the text in such a way that some or all of their content constitutes requirements of this document. For dated references, only the edition cited applies. For undated references, the latest edition of the referenced document (including any amendments) applies.

ISO 845, *Cellular plastics and rubbers — Determination of apparent density*

ISO 1923, *Cellular plastics and rubbers — Determination of linear dimensions*

ISO 10093:2020, *Plastics — Fire tests — Standard ignition sources*

ISO 13943, *Fire safety — Vocabulary*

ASTM E2016, *Standard Specification for Industrial Woven Wire Cloth*

IEC 60695-11-3, *Fire hazard testing — Part 11-3: Test flames — 500 W flames — Apparatus and confirmational test methods*

3 Terms and definitions

For the purposes of this document, the terms and definitions given in ISO 13943 and the following apply.

ISO and IEC maintain terminological databases for use in standardization at the following addresses:

- ISO Online browsing platform: available at <https://www.iso.org/obp>
- IEC Electropedia: available at <http://www.electropedia.org/>

**3.1
afterflame**

flame that persists after the ignition source has been removed

[SOURCE: ISO 13943:2017, 3.11]

**3.2
afterflame time**

length of time for which an *afterflame* (3.1) persists under specified conditions

[SOURCE: ISO 13943:2017, 3.12]

**3.3
afterglow**

persistence of glowing combustion after both removal of the ignition source and the cessation of any flaming combustion

[SOURCE: ISO 13943:2017, 3.13]

**3.4
afterglow time**

length of time for which an *afterglow* (3.3) persists under specified conditions

[SOURCE: ISO 13943:2017, 3.14]

**3.5
extended application of test results**

process of predicting a test result, on the basis of one or more existing test results obtained by the same test, for a product for which a property and/or the intended end-use application(s) are subject to variation

**3.6
draught-free environment**

space in which the results of experiments are not significantly affected by the local air speed

STANDARD PREVIEW
(standards.iteh.ai)

ISO 9772:2020

[https://standards.iteh.ai/catalog/standards/sist/79590739-ad97-4d75-](https://standards.iteh.ai/catalog/standards/sist/79590739-ad97-4d75-8830-40b5ba13404c/iso-9772-2020)

[8830-40b5ba13404c/iso-9772-2020](https://standards.iteh.ai/catalog/standards/sist/79590739-ad97-4d75-8830-40b5ba13404c/iso-9772-2020)

4 Significance of test

4.1 Tests conducted on a material under the conditions specified can be of considerable value when comparing the horizontal burning characteristics of different materials, controlling manufacturing processes or assessing any changes in formulation or treatment prior to use.

4.2 Assessment of fire hazard requires consideration of factors such as fuel contribution, intensity of burning (rate of heat release) and products of combustion, as well as environmental factors such as intensity of source, orientation of exposed material and ventilation conditions.

4.3 The horizontal burning characteristics, as measured by this test procedure, might be affected by factors such as density, any anisotropy of the cellular material, its melting characteristics, its colour and its thickness.

4.4 Certain materials might shrink from the applied flame without igniting. In this event, the test results are not valid, and additional test specimens are required to obtain 10 valid test results. If this proves impossible due to non-ignition of all the specimens, then this test is not suitable for these materials.

4.5 The horizontal burning characteristics of some cellular plastic materials might change with time, and tests are therefore conducted before and after heat ageing.

5 Apparatus

5.1 A laboratory fume hood, having an inside volume of at least 0,5 m³ is used. The chamber shall permit observation of tests in progress and shall provide a draught-free environment whilst allowing normal thermal circulation of air past the test specimen during burning. The inside surfaces of the chamber shall be of a dark colour. When a light meter, facing towards the rear of the chamber, is positioned in place of the test specimen, the recorded light level shall be less than 20 lux.

For safety and convenience, this enclosure (which can be completely closed) shall be fitted with an extraction device, such as an exhaust fan, to remove products of combustion that might be toxic. The extraction device shall be turned off during the test and turned on again immediately after the test to remove the fire effluents. A positive closing damper might be needed.

NOTE The amount of oxygen available to support combustion is naturally important for the conduct of these flame tests. For tests conducted by this method when burning times are protracted, chamber sizes greater than 0,5 m³ might be needed to provide reproducible results.

5.2 P/PF2 laboratory burner, as specified in ISO 10093. The burner shall be the diffusion flame burner specified in ISO 10093:2020, 11.3, having a barrel length of (100 ± 10) mm and an internal diameter of (9,5 ± 0,3) mm. The barrel shall not be equipped with an end attachment, such as a stabilizer.

5.3 The burner shall be fitted with a **burner wing top**, having an opening of internal length (48 ± 1) mm and internal width (1,3 ± 0,05) mm (see [Figure 1](#)).

To ensure the wing top opening is uniform in width, one option is to slide a (1,3 ± 0,05) mm steel wire or spacer along its length.

5.4 The **support gauze** shall be a wire cloth of plain weave, approximately 215 mm long by 75 mm wide, as shown in [Figure 2](#). It shall consist of (6,4 ± 0,5) mm mesh gauze constructed of (0,9 ± 0,1) mm diameter stainless steel, plain or low carbon steel wire. The cloth-mesh and wire diameter shall be determined as described in the Standard Specification for Industrial Woven Wire Cloth, ASTM E2016.

5.5 The **gauze-support holder** shall consist of two laboratory ring stands with clamps adjustable to the desired angles and heights. The gauze-support holder shall be constructed from aluminium or steel and shall satisfy the following conditions:

- the long axis of the gauze shall be maintained to within 1° of the horizontal;
- the nearest end of the specimen shall be (13 ± 1) mm above the burner wing top (see [Figure 2](#));
- the space both above and below the specimen shall not be obstructed;
- a means shall be provided for positioning the burner in the correct location relative to the specimen, preferably with a sliding mechanism and a stop to allow fast movement of the burner flame towards and away from the specimen;
- the gauze shall be equidistant from the front and back, and from both sides, of the test chamber, and shall be (175 ± 25) mm above the cotton indicator base-board (see [Figure 2](#)).

5.6 There shall be two timing devices, each of which reads to within 1 s or less.

5.7 A **measuring scale** graduated in millimetres, shall be used to measure the length, width and thickness of the test specimen.

5.8 The **gas supply** shall consist of technical-grade methane gas with a purity of at least 98 % and having a heat content of $(37 \pm 1) \text{ MJ}\cdot\text{m}^{-3}$, with regulator and meter to ensure uniform gas flow.

Other gas mixtures having a heat content of approximately $(37 \pm 1) \text{ MJ}\cdot\text{m}^{-3}$ or propane having a heat content of $(94 \pm 2) \text{ MJ}\cdot\text{m}^{-3}$ have been shown to provide similar results when using the procedure of [Clause 8](#). In cases of dispute, however, technical-grade methane shall be used.

5.9 A **manometer and gas flow meter**, calibrated for the gas used and capable of reading the values shown in [Table 1](#) shall be used.

5.10 A **cotton indicator**, consisting of a pad of dry, absorbent 100 % cotton measuring approximately 75 mm long, 75 mm wide and 6 mm thick and having a mass of approximately 0,18 g, shall be used.

5.11 A **desiccator**, containing anhydrous calcium chloride or another drying agent which can be maintained at $(23 \pm 2) \text{ }^\circ\text{C}$ and gives a relative humidity not exceeding 20 % shall be used.

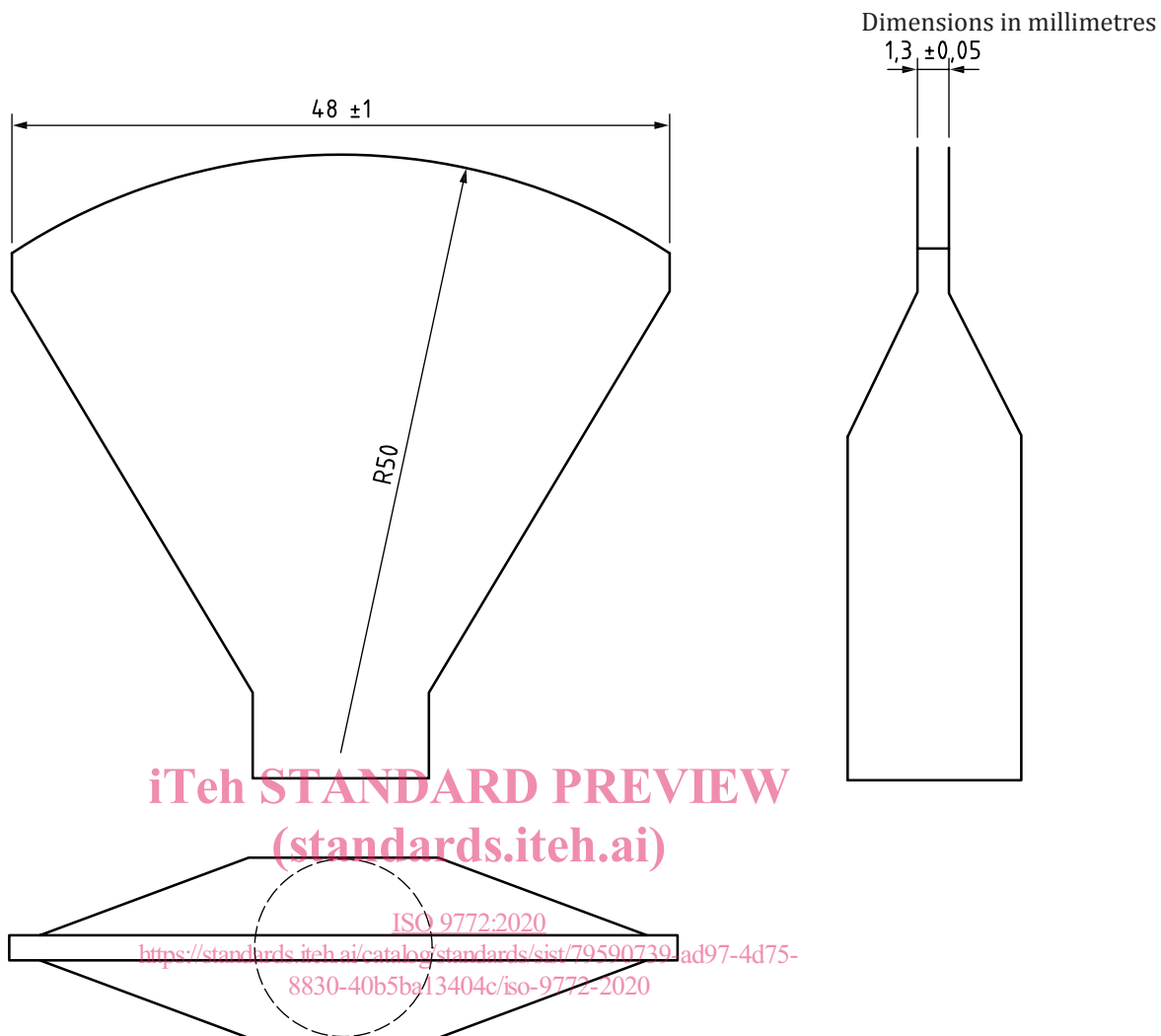
5.12 A **conditioning room or chamber**, capable of being maintained at $(23 \pm 2) \text{ }^\circ\text{C}$ and a relative humidity of $(50 \pm 10) \%$ shall be used.

5.13 An **air-circulating oven**, giving a minimum of five air-changes per hour, and capable of being maintained at $(70 \pm 2) \text{ }^\circ\text{C}$ or another agreed temperature shall be used.

5.14 A **dial-gauge micrometer**, for measuring the specimen thickness, with a 650 mm^2 pressure foot exerting a pressure of $(0,175 \pm 0,035) \text{ kPa}$ shall be used.

5.15 A **cotton indicator base-board**, measuring approximately 215 mm long and 75 mm wide and having a height such that the distance between the support gauze and the top of the base-board is $(175 \pm 25) \text{ mm}$ shall be used.

The cotton indicator base-board shall be made of non-combustible board having a dry density of $(850 \pm 200) \text{ kg}\cdot\text{m}^{-3}$. It shall not be made of metal.



NOTE Material: copper or stainless steel.

Figure 1 — Burner wing top