

FINAL
DRAFT

INTERNATIONAL
STANDARD

ISO/FDIS
23948

ISO/TC 61/SC 4

Secretariat: BSI

Voting begins on:
2023-07-31

Voting terminates on:
2023-09-25

Plastics — Intumescence properties of PVC materials and products — Test method for the measurement of expansion with the cone calorimeter

*Plastiques — Propriétés d'intumescence des matériaux et produits
en PVC — Méthode d'essai pour mesurer l'expansion à l'aide d'un
calorimètre à cône*

ITeH Standards
(<https://standards.iteh.ai>)
Document Preview

ISO 23948

<https://standards.iteh.ai/catalog/standards/sist/609b007d-2159-4d0e-90c0-a16ed703bffa/iso-23948>

RECIPIENTS OF THIS DRAFT ARE INVITED TO SUBMIT, WITH THEIR COMMENTS, NOTIFICATION OF ANY RELEVANT PATENT RIGHTS OF WHICH THEY ARE AWARE AND TO PROVIDE SUPPORTING DOCUMENTATION.

IN ADDITION TO THEIR EVALUATION AS BEING ACCEPTABLE FOR INDUSTRIAL, TECHNOLOGICAL, COMMERCIAL AND USER PURPOSES, DRAFT INTERNATIONAL STANDARDS MAY ON OCCASION HAVE TO BE CONSIDERED IN THE LIGHT OF THEIR POTENTIAL TO BECOME STANDARDS TO WHICH REFERENCE MAY BE MADE IN NATIONAL REGULATIONS.



Reference number
ISO/FDIS 23948:2023(E)

© ISO 2023

iTeh Standards
(<https://standards.iteh.ai>)
Document Preview

ISO 23948

<https://standards.iteh.ai/catalog/standards/sist/609b007d-2159-4d0e-90c0-a16ed703bffa/iso-23948>



COPYRIGHT PROTECTED DOCUMENT

© ISO 2023

All rights reserved. Unless otherwise specified, or required in the context of its implementation, no part of this publication may be reproduced or utilized otherwise in any form or by any means, electronic or mechanical, including photocopying, or posting on the internet or an intranet, without prior written permission. Permission can be requested from either ISO at the address below or ISO's member body in the country of the requester.

ISO copyright office
CP 401 • Ch. de Blandonnet 8
CH-1214 Vernier, Geneva
Phone: +41 22 749 01 11
Email: copyright@iso.org
Website: www.iso.org

Published in Switzerland

Contents

	Page
Foreword.....	iv
Introduction.....	v
1 Scope.....	1
2 Normative references.....	1
3 Terms and definitions.....	1
4 Symbols.....	2
5 Principle.....	2
6 Test equipment.....	2
6.1 General.....	2
6.2 Cone-shaped radiant electrical heater.....	3
6.3 Heat flux control.....	4
6.4 Specimen holder.....	4
6.5 Heat flux meter.....	5
6.6 Fume hood and exhaust duct.....	5
6.7 Dimensional measuring devices.....	5
7 Suitability of a product for testing.....	6
8 Preparation of the test specimen.....	6
8.1 Test specimens.....	6
8.2 Conditioning of specimens.....	6
9 Test environment.....	6
10 Calibration.....	7
10.1 Heat flux meter.....	7
10.2 Conical heater.....	7
10.3 Timer.....	7
10.4 Dimensional measurement devices.....	7
11 Test procedure.....	7
11.1 General precautions.....	7
11.2 Specimen thickness.....	7
11.3 Initial preparation.....	8
11.4 Determination of exposure duration.....	8
11.5 Determination of the expansion rate.....	8
12 Test report.....	9
Annex A (informative) Guidance for the determination of the overall final thickness.....	10
Bibliography.....	12

Foreword

ISO (the International Organization for Standardization) is a worldwide federation of national standards bodies (ISO member bodies). The work of preparing International Standards is normally carried out through ISO technical committees. Each member body interested in a subject for which a technical committee has been established has the right to be represented on that committee. International organizations, governmental and non-governmental, in liaison with ISO, also take part in the work. ISO collaborates closely with the International Electrotechnical Commission (IEC) on all matters of electrotechnical standardization.

The procedures used to develop this document and those intended for its further maintenance are described in the ISO/IEC Directives, Part 1. In particular, the different approval criteria needed for the different types of ISO document should be noted. This document was drafted in accordance with the editorial rules of the ISO/IEC Directives, Part 2 (see www.iso.org/directives).

ISO draws attention to the possibility that the implementation of this document may involve the use of (a) patent(s). ISO takes no position concerning the evidence, validity or applicability of any claimed patent rights in respect thereof. As of the date of publication of this document, ISO had not received notice of (a) patent(s) which may be required to implement this document. However, implementers are cautioned that this may not represent the latest information, which may be obtained from the patent database available at www.iso.org/patents. ISO shall not be held responsible for identifying any or all such patent rights.

Any trade name used in this document is information given for the convenience of users and does not constitute an endorsement.

For an explanation of the voluntary nature of standards, the meaning of ISO specific terms and expressions related to conformity assessment, as well as information about ISO's adherence to the World Trade Organization (WTO) principles in the Technical Barriers to Trade (TBT), see www.iso.org/iso/foreword.html.

This document was prepared by Technical Committee ISO/TC 61, *Plastics*, Subcommittee SC 4, *Burning behaviour*.

Any feedback or questions on this document should be directed to the user's national standards body. A complete listing of these bodies can be found at www.iso.org/members.html.

Introduction

Polyvinyl chloride (PVC) is an example of an intumescent material that leaves much of the original carbon content as a solid residue. The presence of chlorine in PVC exerts its influence in two ways, causing an increase in:

- hydrogenated char formation (meaning that less flammable decomposition products are formed);
- generating HCl, which then acts as a gas phase scavenger slowing down further reactions of flammable products in the gas phase. [$\text{-CH}_2\text{-CHCl-} \rightarrow \text{-CH=CH-} + \text{HCl}$]

The expansion formed has two positive effects regarding fire safety:

- it is a barrier between the source of heat and the unaffected polymer material leading to a reduction of its rate of decomposition;
- it reduces the release of flammable gas.

ISO TR 20118 provides information on fire properties of PVC materials.

The intumescent properties of PVC materials and products are likely, however, to be affected by their exact formulation and by the use of specific chemical species (e.g. intumescent chemicals), as processing aids or other components of the specific material. The aim of this document is to propose a test method to characterize the intumescence properties of PVC materials and products, by using the cone calorimeter heater as defined in standards ISO 5660-1, ISO 13927 and ISO 17554.

In this test method, the expansion of PVC materials and products is determined by the measurement of the height increase of a specimen when exposed to the radiated heat produced by an electrical conical heater. Intumescence is a property given to, or pre-existing in, some materials and used in fire safety as a way to increase fire performance and protect materials or products with regard to either reaction-to-fire or fire resistance.

[ISO 23948](https://standards.iteh.ai/catalog/standards/sist/609b007d-2159-4d0e-90c0-a16ed703bffa/iso-23948)

<https://standards.iteh.ai/catalog/standards/sist/609b007d-2159-4d0e-90c0-a16ed703bffa/iso-23948>

Plastics — Intumescence properties of PVC materials and products — Test method for the measurement of expansion with the cone calorimeter

1 Scope

This document specifies a test method for assessing the expansion of PVC materials and products during their combustion under the effect of heat radiation.

This test method is also applicable to products and materials made from blends and mixtures of PVC with other polymers, such as PVC blended with a copolymer of styrene and acrylonitrile (PVC-SAN).

2 Normative references

The following documents are referred to in the text in such a way that some or all of their content constitutes requirements of this document. For dated references, only the edition cited applies. For undated references, the latest edition of the referenced document (including any amendments) applies.

ISO 554, *Standard atmospheres for conditioning and/or testing — Specifications*

ISO 1043-1, *Plastics — Symbols and abbreviated terms — Part 1: Basic polymers and their special characteristics*

ISO 1043-4, *Plastics — Symbols and abbreviated terms — Part 4: Flame retardants*

ISO 3126, *Plastics piping systems — Plastics components — Determination of dimensions*

ISO 5660-1, *Reaction-to-fire tests — Heat release, smoke production and mass loss rate — Part 1: Heat release rate (cone calorimeter method) and smoke production rate (dynamic measurement)*

ISO 13927, *Plastics — Simple heat release test using a conical radiant heater and a thermopile detector*

ISO 13943¹⁾, *Fire safety — Vocabulary*

ISO 14934-2, *Fire tests — Calibration and use of heat flux meters — Part 2: Primary calibration methods*

ISO 14934-3, *Fire tests — Calibration and use of heat flux meters — Part 3: Secondary calibration method*

ISO 17554, *Reaction to fire tests — Mass loss measurement*

3 Terms and definitions

For the purposes of this document, the terms and definitions given in ISO 1043-1, ISO 1043-4, ISO 13943 and the following apply.

ISO and IEC maintain terminology databases for use in standardization at the following addresses:

- ISO Online browsing platform: available at <https://www.iso.org/obp>
- IEC Electropedia: available at <https://www.electropedia.org/>

1) Stage at the date of publication: ISO/PRF 13943:2023.

3.1
intumescence
formation of a swelling/foaming substance in response to heat that insulates the underlying substrate

Note 1 to entry: Definition is adapted from ISO 13943.

Note 2 to entry: Intumescence is used to achieve passive fire protection for such applications as firestopping, fireproofing, gasketing and window casings.

[SOURCE: ISO 13943:—, 3.268, modified — Note to entry has been added.]

3.2
flame retardant
substance added, or a treatment applied, to a material in order to suppress or delay the appearance of a flame and/or reduce the flame spread rate

Note 1 to entry: Flame retardants are activated by the presence of an ignition source and are intended to prevent or slow the further development of ignition by a variety of different physical and chemical methods. Various species of flame retardants, including smoke suppressants, alone or in combination, can lead to consistent lowering of heat release, flame spread, ignitability, (by increasing the time to ignition or the minimum heat flux for ignition), or smoke release.

Note 2 to entry: ISO 1043-4 lists the various categories of flame retardants.

[SOURCE: ISO 13943:—, 3.192, modified — Notes to entry have been replaced.]

4 Symbols

e_{im} average initial thickness of the specimen, mm

e_{of} overall final thickness of the specimen, mm

E_p expansion rate of the product, %

E_s expansion rate of the specimen, %

5 Principle

The test method detailed in this document consists in measuring the rate of expansion of a PVC test specimen during heating and/or combustion under the effect of radiative heat generated by an electrical cone calorimeter heater.

The method is based on the observation that a PVC specimen exposed horizontally to incident radiative heat generally results in an increase of its volume, due to intumescence.

Test specimens are exposed to heat under ambient air conditions, while being subjected to a predetermined external heat flux of 50 kW/m². Measurements of the thickness of the test specimen are made before and after the test.

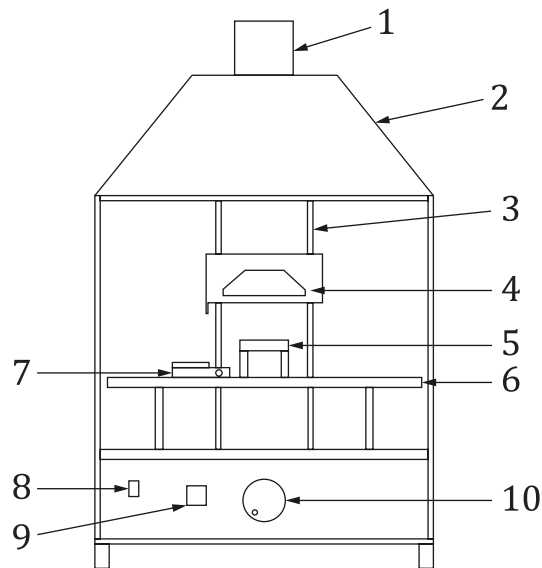
The expansion rate quantifies the intumescence property of the PVC test specimen and is calculated as the percentage of thickness increase before and after the test.

6 Test equipment

6.1 General

An example of schematic representation of test equipment is given in [Figure 1](#). The individual components are described in detail in [6.2](#) to [6.9](#).

Test equipment conforming with either ISO 5660-1, ISO 17554 or ISO 13927, is suitable to conduct a test according to this document, although some of the measuring device components of the test equipment will not need to be used.



Key

1	extraction duct	6	support plate
2	hood	7	carrousel
3	guiding column	8	power switch
4	cone-shaped radiant electric heater	9	PID governor
5	specimen holder and support	10	handwheel

Figure 1 — Example of suitable test equipment

ISO 23948

<https://standards.iteh.ai/catalog/standards/sist/609b007d-2159-4d0e-90c0-a16ed703bffa/iso-23948>

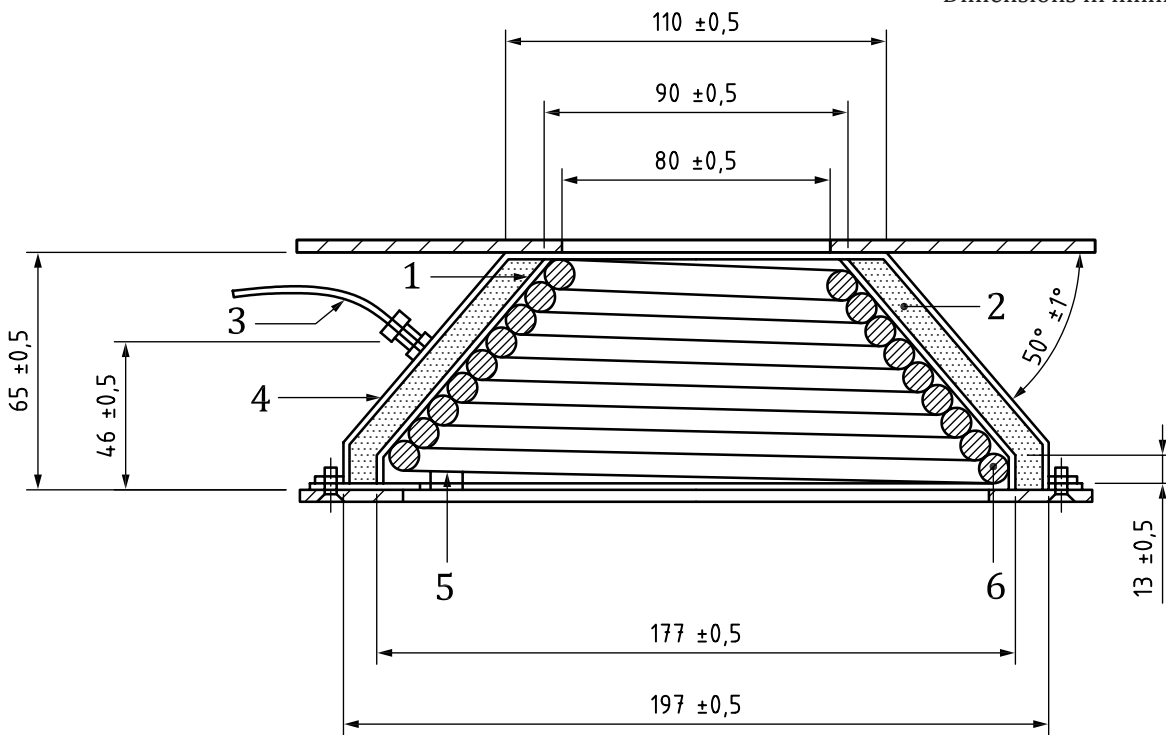
6.2 Cone-shaped radiant electrical heater

The active element of the heater shall consist of an electrical heater rod, capable of delivering 5 kW at the operating voltage, tightly wound into the shape of a truncated cone conforming with either ISO 5660-1, or ISO 17554, or ISO 13927, and highlighted as [Figure 2](#). The heater shall be encased, from the outside, within a double-wall stainless steel cone, filled with a refractory fibre blanket of nominal thickness 6 mm and nominal density 100 kg m⁻³.

The heat flux from the heater shall be maintained at a pre-set level by controlling the average temperature of three thermocouples (type K stainless steel sheathed thermocouples have proven suitable, but the use of other high-performance alloy materials is also acceptable), symmetrically disposed and in contact with, but not welded to, the heater element. Either 3,0 mm outside diameter sheathed thermocouples, with an exposed hot junction, or 1,0 mm to 1,6 mm outside diameter sheathed thermocouples, with an unexposed hot junction, shall be used.

The heater shall be capable of producing an incident heat flux on the surface of the specimen of up to at least 70 kW/m². The heat flux shall be uniform within the central 50 mm × 50 mm area of the exposed specimen surface, to within ±2 % for an incident heat flux level (at the centre) of 50 kW/m².

Dimensions in millimetres



Key

- 1 inner shell
- 2 refractory fibre packing
- 3 thermocouple (indicative position)
- 4 outer shell
- 5 space block
- 6 heating element

iTeh Standards
<https://standards.itih.ai>
 Document Preview

[ISO 23948](https://standards.itih.ai/catalog/standards/sist/609b007d-2159-4d0e-90c0-a16ed703bffa/iso-23948)

<https://standards.itih.ai/catalog/standards/sist/609b007d-2159-4d0e-90c0-a16ed703bffa/iso-23948>

Figure 2 — Test equipment — Cone-shaped radiant electrical heater

6.3 Heat flux control

The heat flux control system shall be properly controlled so that it maintains the average temperature of the heater thermocouples during the calibration procedure described in 10.2 at the pre-set level, to within ± 10 °C. Regulation of heat flux level shall be made by a proportional-integral-derivative controller (PID governor), based on the heater temperature.

6.4 Specimen holder

The specimen holder is shown in Figure 3. The specimen holder shall have the shape of a square pan with an opening of (106 ± 1) mm x (106 ± 1) mm at the top, and a depth of (25 ± 1) mm. The holder shall be constructed of stainless steel with a thickness of $(2,4 \pm 0,15)$ mm. It shall include a handle to facilitate insertion and removal, and a mechanism to ensure central location of the specimen under the heater.

The bottom of the holder shall be lined with a calcium silicate board with a density of $1\,400$ kg/m³ and a thickness of $(25,0 \pm 0,5)$ mm.

The calcium silicate substrate shall be covered with aluminium foil (nominal thickness: 30 µm) before the test. The specimen shall be placed directly above the aluminium foil.