



SLOVENSKI STANDARD

oSIST prEN 4165-015:2023

01-september-2023

Aeronavtika - Konektorji, električni, pravokotni, modularni - Stalna delovna temperatura 175 °C - 015. del: Okroglo ohišje (1 na modul), 2 in 4 moduli - Standard za proizvod

Aerospace series - Connectors, electrical, rectangular, modular - Operating temperature 175 °C continuous - Part 015: Round chimney for accessory (1 per module cavity), 2 and 4 modules - Product standard

Luft- und Raumfahrt - Elektrischer Rechtecksteckverbinder in modularer Bauweise - Betriebstemperatur 175 °C konstant - Teil 015: Hülse, rund, für Endgehäuse (eine pro Modulkammer), 2 und 4 Module - Produktnorm

Série aérospatiale - Connecteurs électriques rectangulaires modulaires - Température d'utilisation 175 °C continu - Partie 015: Cheminées cylindriques pour accessoires (1 par cavité de module), 2 et 4 modules - Norme de produit

Ta slovenski standard je istoveten z: prEN 4165-015

ICS:

31.220.10	Vtiči in vtičnice, konektorji	Plug-and-socket devices. Connectors
49.060	Letalska in vesoljska električna oprema in sistemi	Aerospace electric equipment and systems

oSIST prEN 4165-015:2023

en,fr,de

EUROPEAN STANDARD
NORME EUROPÉENNE
EUROPÄISCHE NORM

DRAFT
prEN 4165-015

June 2023

ICS 49.060

Will supersede EN 4165-015:2015

English Version

**Aerospace series - Connectors, electrical, rectangular,
modular - Operating temperature 175 °C continuous - Part
015: Round chimney for accessory (1 per module cavity), 2
and 4 modules - Product standard**

Série aérospatiale - Connecteurs électriques
rectangulaires modulaires - Température d'utilisation
175 °C continu - Partie 015: Cheminées cylindriques
pour accessoires (1 par cavité de module), 2 et 4
modules - Norme de produit

Luft- und Raumfahrt - Elektrischer
Rechtecksteckverbinder in modularer Bauweise -
Betriebstemperatur 175 °C konstant - Teil 015: Hülse,
rund, für Endgehäuse (eine pro Modulkammer), 2 und
4 Module - Produktnorm

This draft European Standard is submitted to CEN members for enquiry. It has been drawn up by the Technical Committee ASD-STAN.

If this draft becomes a European Standard, CEN members are bound to comply with the CEN/CENELEC Internal Regulations which stipulate the conditions for giving this European Standard the status of a national standard without any alteration.

This draft European Standard was established by CEN in three official versions (English, French, German). A version in any other language made by translation under the responsibility of a CEN member into its own language and notified to the CEN-CENELEC Management Centre has the same status as the official versions.

CEN members are the national standards bodies of Austria, Belgium, Bulgaria, Croatia, Cyprus, Czech Republic, Denmark, Estonia, Finland, France, Germany, Greece, Hungary, Iceland, Ireland, Italy, Latvia, Lithuania, Luxembourg, Malta, Netherlands, Norway, Poland, Portugal, Republic of North Macedonia, Romania, Serbia, Slovakia, Slovenia, Spain, Sweden, Switzerland, Türkiye and United Kingdom.

Recipients of this draft are invited to submit, with their comments, notification of any relevant patent rights of which they are aware and to provide supporting documentation.

Warning : This document is not a European Standard. It is distributed for review and comments. It is subject to change without notice and shall not be referred to as a European Standard.



EUROPEAN COMMITTEE FOR STANDARDIZATION
COMITÉ EUROPÉEN DE NORMALISATION
EUROPÄISCHES KOMITEE FÜR NORMUNG

CEN-CENELEC Management Centre: Rue de la Science 23, B-1040 Brussels

Contents		Page
European foreword		3
1	Scope	4
2	Normative references	4
3	Terms and definitions	4
4	Required characteristics	4
5	Round chimney for accessories	5
6	Round chimney for accessory class	7
7	Designation	7
8	Marking	7
9	Technical specification	7
Bibliography		8

iTeh STANDARD PREVIEW
(standards.iteh.ai)

[oSIST prEN 4165-015:2023](https://standards.iteh.ai/catalog/standards/sist/664ec80a-dcba-41e7-bed2-b1b84756a3dc/osist-pren-4165-015-2023)

<https://standards.iteh.ai/catalog/standards/sist/664ec80a-dcba-41e7-bed2-b1b84756a3dc/osist-pren-4165-015-2023>

European foreword

This document (prEN 4165-015:2023) has been prepared by the Aerospace and Defence Industries Association of Europe - Standardization (ASD-STAN).

After enquiries and votes carried out in accordance with the rules of this Association, this document has received the approval of the National Associations and the Official Services of the member countries of ASD-STAN, prior to its presentation to CEN.

This document is currently submitted to the CEN Enquiry.

This document will supersede EN 4165-015:2015.

prEN 4165-015:2023 includes the following significant technical changes with respect to EN 4165-015:2015:

- update of Figure 2 “Removable round chimney with cable tie support” to correct dimension attachment;
- editorial revision of the document.

Any feedback and questions on this document should be directed to the users’ national standards body. A complete listing of these bodies can be found on the CEN website.

(standards.iteh.ai)

[oSIST prEN 4165-015:2023](https://standards.iteh.ai/catalog/standards/sist/664ec80a-dc8a-41e7-bed2-b1b84756a3dc/osist-pren-4165-015-2023)

<https://standards.iteh.ai/catalog/standards/sist/664ec80a-dc8a-41e7-bed2-b1b84756a3dc/osist-pren-4165-015-2023>

prEN 4165-015:2023(E)**1 Scope**

This document specifies the round chimney for accessories (1 per module cavity) used in the family of rectangular electrical connectors, 2 and 4 modules.

The connector accessory body corresponding to those round chimneys is specified in EN 4165-014.

2 Normative references

The following documents, in whole or in part, are normatively referenced in this document and are indispensable for its application. For dated references, only the edition cited applies. For undated references, the latest edition of the referenced document (including any amendments) applies.

EN 4165-001, *Aerospace series - Connectors, electrical, rectangular, modular - Operating temperature 175 °C continuous - Part 001: Technical specification*

3 Terms and definitions

For the purposes of this document, the terms and definitions given in EN 4165-001 apply.

ISO and IEC maintain terminology databases for use in standardization at the following addresses:

- ISO Online browsing platform: available at <https://www.iso.org/obp/>
- IEC Electropedia: available at <https://www.electropedia.org/>

4 Required characteristics

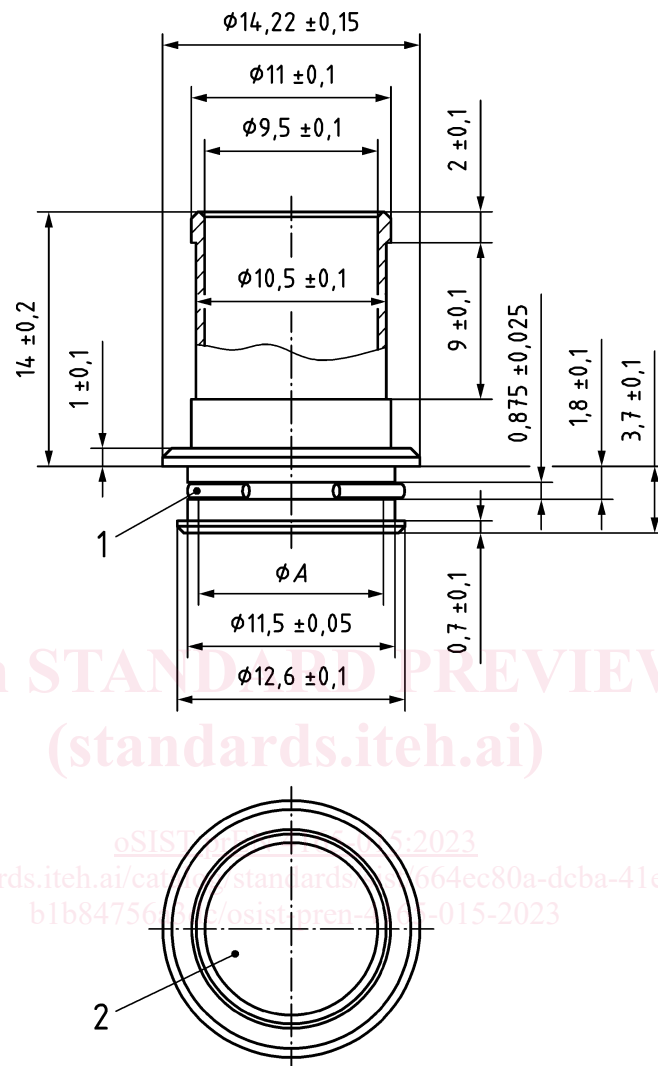
The required characteristics shall be according to Figure 1 and Figure 2.

oSIST prEN 4165-015:2023

<https://standards.iteh.ai/catalog/standards/sist/664ec80a-dc8a-41e7-bed2-b1b84756a3dc/osist-pren-4165-015-2023>

5 Round chimney for accessories

Dimensions in millimetres



Key

1 hexagonal conductive clip, thread $\varnothing 0,6$ mm

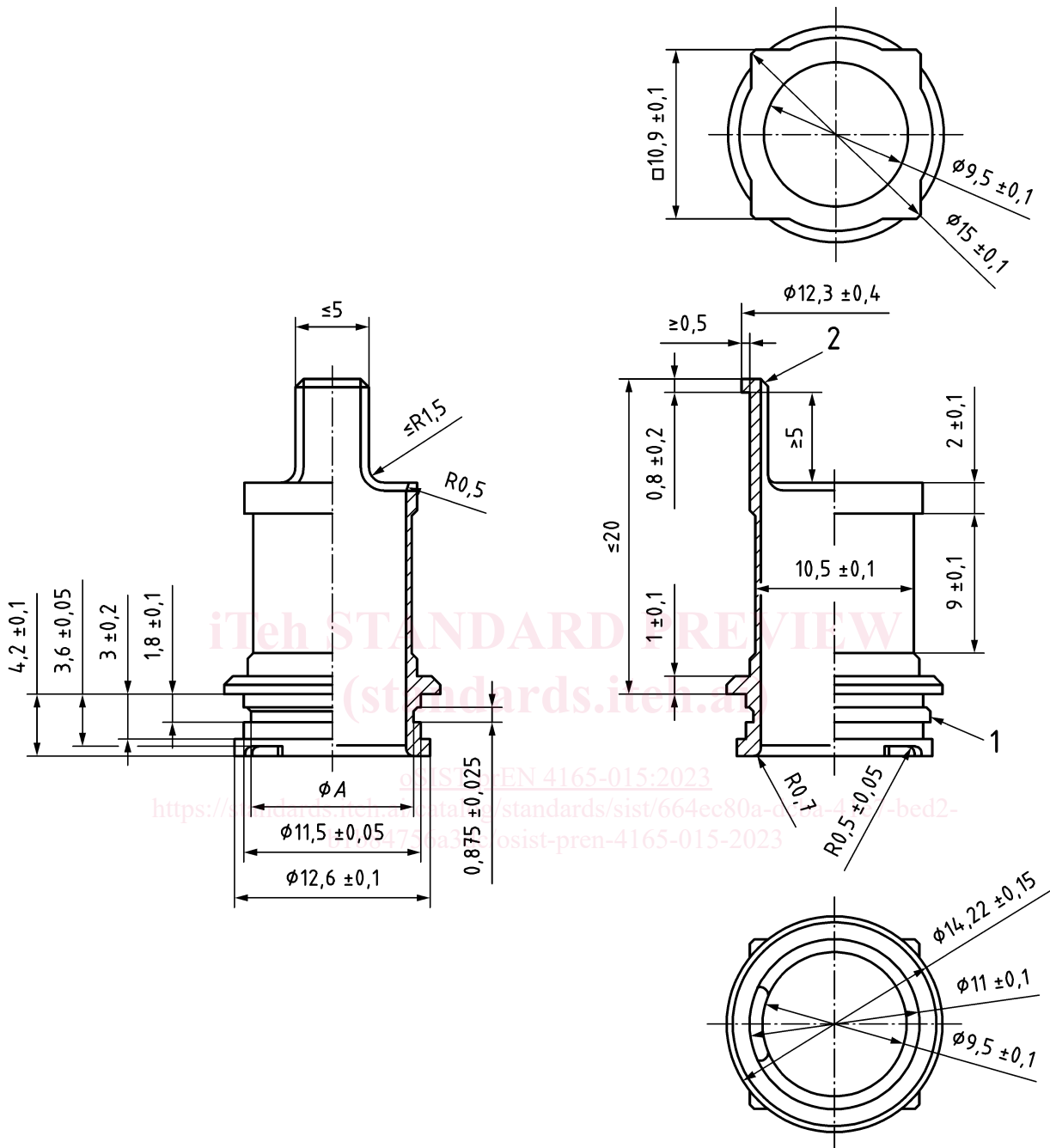
2 inside section $69,4 \text{ mm}^2$ minimum

Mass: 1,50 g max.

$\varnothing A = 10,5 \text{ mm} \pm 0,05$ mm (groove for clip).

Figure 1 — Removable round chimney

Dimensions in millimetres

**Key**

- 1 hexagonal conductive clip, thread $\varnothing 0,6$ mm
 2 $R \times 0,5$ or chamfer

NOTE 1 Envelop schematic representation.

NOTE 2 Chimney shall be compatible with all shielded accessory body material classes and shell size types.

Mass: 1,70 g max.

$\varnothing A = 10,5$ mm $\pm 0,05$ mm (groove for clip)

Figure 2— Removable round chimney with cable tie support

6 Round chimney for accessory class

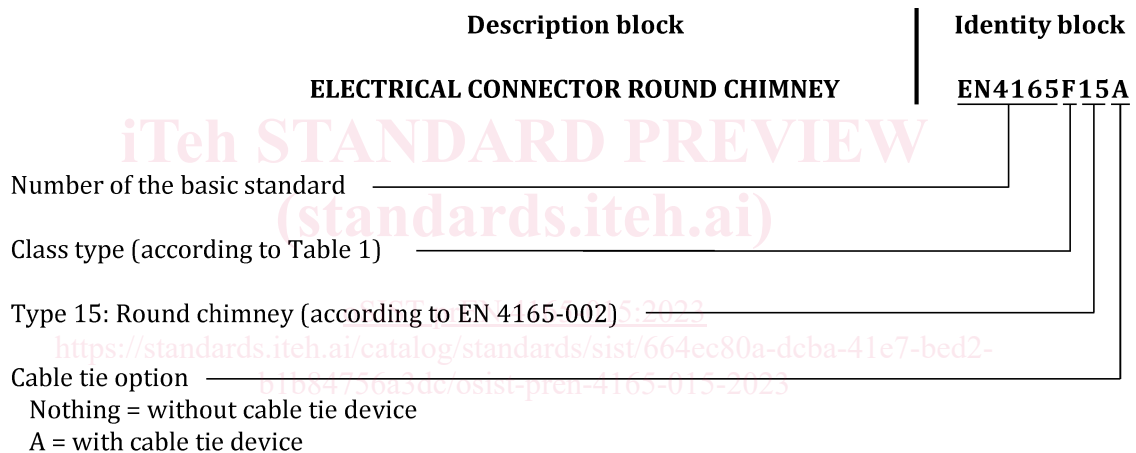
This shall be according to Table 1.

Table 1 — Material class and temperature ranges

Class	Description
B	Round chimney for accessory with housing (shell) nickel plated, aluminium alloy, 48 h resistance to salt spray, maximum operating temperature: 175 °C continuous.
F	Round chimney for accessory with housing (shell) black nickel plated, aluminium alloy, 96 h resistance to salt mist, maximum operating temperature 175 °C continuous
W	Round chimney for accessory with housing (shell) olive drab cadmium plated, aluminium alloy, 500 h resistance to salt mist, maximum operating temperature 175 °C continuous

7 Designation

EXAMPLE



8 Marking

Marking shall be applied to the chimney.

This marking shall include:

- the identity block as defined in suitable product standard;
- the date of manufacture (year-week);
- the manufacturer's name or trademark.

9 Technical specification

This shall be according to EN 4165-001.

prEN 4165-015:2023(E)

Bibliography

EN 4165-002, *Aerospace series - Connectors, electrical, rectangular, modular - Operating temperature 175 °C continuous - Part 002: Specification of performance and contact arrangements*

EN 4165-014, *Aerospace series - Connectors, electrical, rectangular, modular - Operating temperature 175 °C continuous - Part 014: Shielded accessory body, 2 and 4 modules for connectors, series 2 and series 3 - Product standard*

iTeh STANDARD PREVIEW
(standards.iteh.ai)

[oSIST prEN 4165-015:2023](https://standards.iteh.ai/catalog/standards/sist/664ec80a-dcba-41e7-bed2-b1b84756a3dc/osist-pren-4165-015-2023)

<https://standards.iteh.ai/catalog/standards/sist/664ec80a-dcba-41e7-bed2-b1b84756a3dc/osist-pren-4165-015-2023>