



Designation: D3744/D3744M – 11

Standard Test Method for Aggregate Durability Index¹

This standard is issued under the fixed designation D3744/D3744M; the number immediately following the designation indicates the year of original adoption or, in the case of revision, the year of last revision. A number in parentheses indicates the year of last reapproval. A superscript epsilon (ϵ) indicates an editorial change since the last revision or reapproval.

1. Scope

1.1 This test method covers the determination of a durability index of an aggregate. The calculated durability index is a value indicating the relative resistance of an aggregate to production of detrimental clay-like fines when subjected to the prescribed mechanical methods of degradation.

1.2 *Units*—The values stated in either SI units or inch-pound units are to be regarded separately as standard. The values stated in each system may not be exact equivalents; therefore, each system shall be used independently of the other. Combining values from the two systems may result in non-conformance with the standard.

1.2.1 Measurements of volume and mass are only given in SI units because they are the only units typically used in practice when performing this test method.

1.2.2 Measurements in Section 11, Section 15, Equation 3, Equation 4, Table 1, and Figure 2 are only given in inch-pound units because the equipment used in these sections is only manufactured using the inch-pound system.

1.3 *This standard does not purport to address all of the safety concerns, if any, associated with its use. It is the responsibility of the user of this standard to establish appropriate safety and health practices and determine the applicability of regulatory limitations prior to use.*

2. Referenced Documents

2.1 *ASTM Standards:*²

[C127 Test Method for Density, Relative Density \(Specific Gravity\), and Absorption of Coarse Aggregate](#)

[C136 Test Method for Sieve Analysis of Fine and Coarse Aggregates](#)

[C702 Practice for Reducing Samples of Aggregate to Testing Size](#)

[D75 Practice for Sampling Aggregates](#)

[D2419 Test Method for Sand Equivalent Value of Soils and Fine Aggregate](#)

[D3666 Specification for Minimum Requirements for Agencies Testing and Inspecting Road and Paving Materials](#)

[D4753 Guide for Evaluating, Selecting, and Specifying Balances and Standard Masses for Use in Soil, Rock, and Construction Materials Testing](#)

[E11 Specification for Woven Wire Test Sieve Cloth and Test Sieves](#)

3. Summary of Test Method

3.1 This test method was developed to permit prequalification of aggregates proposed for use in the construction of transportation facilities. Basically, the test establishes an aggregate's resistance to generating fines when agitated in the presence of water. Separate and different test procedures are used to evaluate the coarse and the fine portions of a material.

3.2 A sample of coarse aggregate is prepared to a specific grading and then washed in a mechanical washing vessel for a 2-min agitation time. After discarding the minus 4.75-mm (No. 4) material, dry the washed test sample.

3.3 The coarse aggregate test sample is then agitated in the mechanical washing vessel for a period of 10 min. A representative portion of the resulting wash water and minus 75- μ m (No. 200) size fines is collected and mixed with a stock calcium chloride solution and placed in a plastic cylinder. After a 20-min sedimentation time, the level of the sediment column is read. The height of the sediment value is then used to calculate the durability index of the coarse aggregate (D_c).

3.4 The fine aggregate sample is prepared by washing a specific quantity of the material in the mechanical washing vessel for a 2-min agitation period. All minus 75- μ m (No. 200) size material is washed from the sample through a 75- μ m (No. 200) sieve and discarded. The plus 75- μ m (No. 200) fraction is dried.

3.5 The fine aggregate test sample is tested by the Standard Sand Equivalent Test Method (Test Method [D2419](#)) except for modifications to the test sample preparation and duration of the shaking time. The mechanical shaker method is required. A shaking time of 10 min instead of 45 s is used.

3.6 This test method includes procedures for testing aggregates exhibiting a wide range in specific gravity, including lightweight and porous coarse aggregates, and also procedures

¹ This test method is under the jurisdiction of ASTM Committee D04 on Road and Paving Materials and is the direct responsibility of Subcommittee D04.51 on Aggregate Tests.

Current edition approved June 1, 2011. Published July 2011. Originally approved in 1979. Last previous edition approved in 2003 as D3744 – 03. DOI: 10.1520/D3744_D3744M-11

² For referenced ASTM standards, visit the ASTM website, www.astm.org, or contact ASTM Customer Service at service@astm.org. For *Annual Book of ASTM Standards* volume information, refer to the standard's Document Summary page on the ASTM website.

for testing small maximum size aggregate which is too fine to test as a coarse aggregate and too coarse to consider as a fine aggregate, such as a pea gravel or a very coarse sand.

3.7 The durability index for coarse aggregate (D_c) or for fine aggregate (D_f) is calculated, as applicable, by appropriate equations presented in the method. The durability index of a well-graded aggregate containing both coarse and fine fractions is defined as the lowest of the two values, D_c or D_f , obtained by the test. This value is recommended to be the controlling value for specification purposes.

4. Significance and Use

4.1 This test method assigns an empirical value to the relative amount, fineness, and character of clay-like material that may be generated in an aggregate when subjected to mechanical degradation.

4.2 The procedure has been used in limited geographical areas of the United States and the results have been correlated with aggregate performance in various construction applications, including: aggregate base, permeable material for back-fill, fine concrete aggregate, and riprap for rock slope protection.^{3,4}

4.3 A minimum durability index is permitted to be specified to prohibit the use of an aggregate in various construction applications that is prone to degradation, resulting in generation of clay-like fines.

4.4 This test method provides a rapid test for evaluation of the quality of a new aggregate source. Research has indicated it may also be suitable for use instead of the sodium sulfate soundness test for evaluating the durability characteristics of fine aggregate for use in portland-cement concrete, thereby reducing the need for time-consuming and expensive soundness tests.³

4.5 Although the application of this method has been limited to aggregates for specific construction uses, the possibility exists for expanding the application of this method to control the quality of aggregates used in other areas of construction, such as aggregates for use in bituminous paving mixtures, coarse aggregate for use in portland-cement concrete, and aggregate for use as railroad ballast.

NOTE 1—The quality of the results produced by this standard are dependent on the competence of the personnel performing the procedure and the capability, calibration, and maintenance of the equipment used. Agencies that meet the criteria of Practice D3666 are generally considered capable of competent and objective testing/sampling/inspection/etc. Users of this standard are cautioned that compliance with Practice D3666 alone does not completely assure reliable results. Reliable results depend on many factors; following the suggestions of Practice D3666 or some similar acceptable guideline provides a means of evaluating and controlling some of those factors.

5. Apparatus

5.1 *Mechanical Washing Vessel (Pot)*—A flat-bottomed, straight-sided cylindrical vessel similar to the design shown in

³ Hamilton, R. D., Smith, R. E., and Sherman, G. B., "Factors Influencing the Durability of Aggregates," Research Report 633476, State of California, Division of Highways, Materials and Research Department, June 1971.

⁴ Hveem, F. N., and Smith, T. N., "Durability of Aggregates," Research Report, State of California, Division of Highways, Materials and Research Department, January 1964.

Fig. 1 with a volume of approximately 7 liters and inner diameter of approximately 200 mm [8 in.]. The vessel lid must be equipped with a rubber gasket or another means of preventing leaks during agitation.

5.2 *Collection Pan*—A round pan (at least 230 mm [9 in.] in diameter and approximately 100 mm [4 in.] deep), suitable to collect the wash water from the washed sample. The pan shall have vertical or nearly vertical sides and shall be equipped as necessary to hold the wire mesh of a 200-mm [8-in.] diameter sieve at least 75 mm [3 in.] above the bottom. An adaptor that will not allow loss of fines or wash water may be used to nest the sieve with the container, or the sieve may be nested with a blank sieve frame resting in the bottom of the pan.

5.3 *Agitator*—A mechanical device designed to hold the wash vessel in an upright position while subjecting it to a lateral reciprocating motion of 45 ± 6 mm [$1 \frac{3}{4} \pm \frac{1}{4}$ in.] at a rate of 285 ± 10 complete cycles per minute. Fig. 2 shows a Tyler portable sieve shaker modified to meet these requirements.

5.4 All equipment required to perform the Test for Sand Equivalent Value of Soils and Fine Aggregate (Test Method D2419).

5.5 *Sieves*—The sieves shall conform to Specification E11.

5.6 *Balance*—A balance having a minimum capacity of 500 g and meeting the requirements of Guide D4753, Class GP5.

5.7 *Oven*—An oven capable of maintaining a temperature of $110 \pm 5^\circ\text{C}$ [$230 \pm 10^\circ\text{F}$].

5.8 *Graduated Cylinder*—A 1000-mL graduated cylinder

5.9 *Funnel*—A funnel of sufficient size to allow for transfer of wash water from the collection pan to the graduated cylinder.

6. Reagents and Materials

6.1 *Calcium Chloride Solutions*—Use stock and working calcium chloride solutions as specified in the Reagents and Materials section of Test Method D2419.

6.2 *Water*—Use distilled or demineralized water for the normal performance of this test method. The test results are likely to be affected by certain minerals dissolved in water. However, if it is determined that local tap water is of such purity that it does not affect the test results, the use of tap water is permissible in place of distilled or demineralized water. For referee purposes, distilled or demineralized water shall be used for all steps in the test.

7. Temperature Control

7.1 This test method is normally performed without strict temperature control; however, for referee purposes, retest the material with the temperature of the distilled or demineralized water and the working calcium chloride solution at $22 \pm 3^\circ\text{C}$ [$72 \pm 5^\circ\text{F}$].

8. Sampling

8.1 Obtain samples of the aggregate to be tested in accordance with Practice D75.

9. Initial Sample Preparation

9.1 Dry aggregate samples sufficiently to permit a complete separation on the 4.75-mm (No. 4) sieve and to develop a

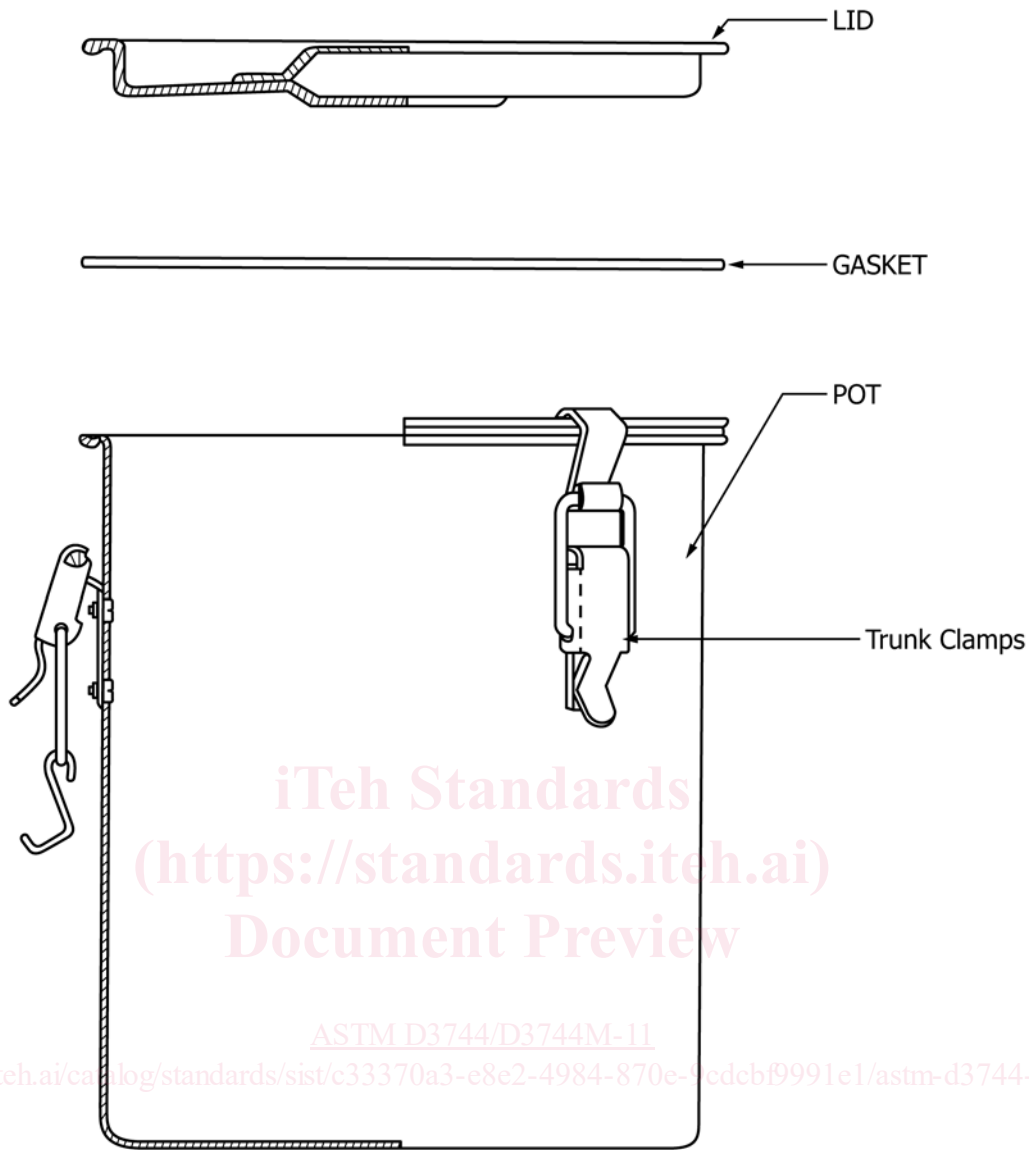


FIG. 1 Mechanical Washing Vessel

free-flowing condition in the portion passing the sieve. Perform drying by any method that does not heat the aggregate in excess of 60°C [140°F] or cause degradation of the particles. Sunlight, ovens, or forced drafts of warm air are the most commonly used sources of heat.

9.2 If the sample contains an appreciable amount of clay, turn the aggregate frequently during the drying process to obtain even drying throughout and prevent the formation of hard clay lumps.

9.3 Break up any hard clods and remove coatings of fines from the coarse aggregate particles by any means that will not appreciably reduce the natural individual particle sizes.

9.4 Determine the sample grading by sieving in accordance with Test Method C136 on 19.0, 12.5, 9.5, 4.75, 2.36, and 1.18-mm ($\frac{3}{4}$, $\frac{1}{2}$, and $\frac{3}{8}$ -in. and Nos. 4, 8, and 16) sieves. Discard any material that is retained on the 19.0-mm ($\frac{3}{4}$ -in.) sieve.

9.5 Determine the test procedures to be used for establishing the durability index of the aggregate based upon the grading of the aggregate as determined in 9.4.

9.5.1 If less than 10 % of the aggregate passes the 4.75-mm (No. 4) sieve, test coarse aggregate (Procedure A) only.

9.5.2 If less than 10 % of the aggregate is coarser than the 4.75-mm (No. 4) sieve, test fine aggregate (Procedure B) only.

9.5.3 When both coarse and fine aggregate fractions are each present in quantities equal to or greater than 10 % and if the percent passing the 1.18-mm (No. 16) sieve is greater than 10 %, use both Procedures A and B on the appropriate aggregate sizes. If the percent passing the 1.18-mm (No. 16) sieve is less than or equal to 10 %, use Procedure A or Procedure C.

9.5.4 If most of the aggregate (75 to 80 %) is retained between the 9.5 and 1.18-mm ($\frac{3}{8}$ -in. and No. 16) sieves, use Procedure C only.

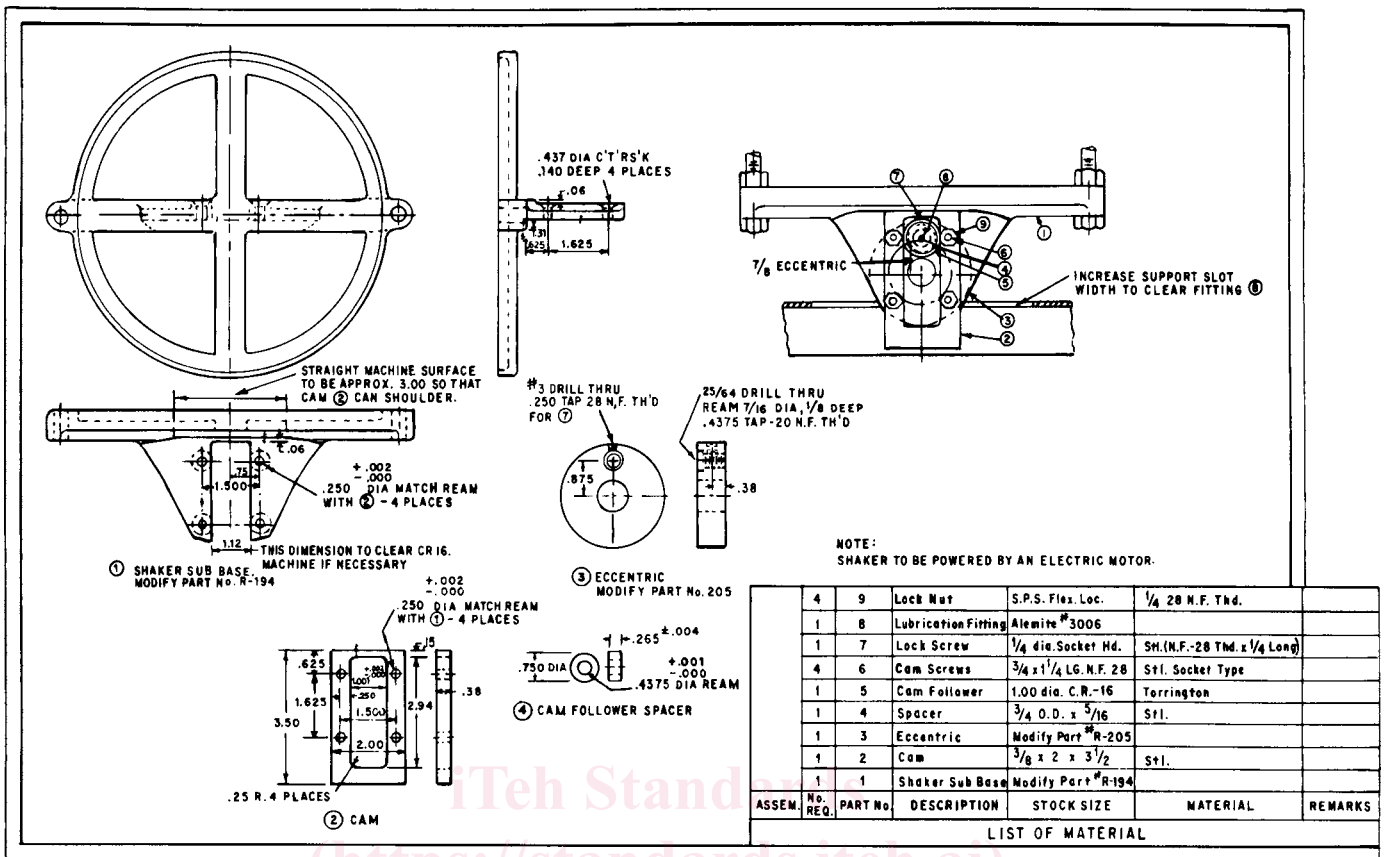


FIG. 2 Modification of Tyler Portable Sieve Shaker

PROCEDURE A—COARSE AGGREGATE

Example 2—Less than 10 % in two fractions

10. Test Sample Preparation

10.1 Prepare a 2550 ± 25-g (air-dry) preliminary test sample using the grading given below:

Aggregate Size	Air Dry Mass, g
19.0 to 12.5 mm (3/4 to 1/2 in.)	1070 ± 10
12.5 to 9.5 mm (1/2 to 3/8 in.)	570 ± 10
9.5 to 4.75 mm (3/8 in. to No. 4)	910 ± 5
Totals	2550 ± 25

For materials with less than 10 % in any of the size fractions given in 10.1, prepare the test sample using the actual percentage for the deficient fraction and proportionally increase the mass of the remaining fractions to obtain the 2550 g test sample. Two examples follow.

Example 1—Less than 10 % in 19.0 to 12.5 mm (3/4 to 1/2 in.) fraction

Aggregate Size	Percent	Calculation	Air Dry Mass, g
19.0 to 12.5 mm (3/4 to 1/2 in.)	6	0.06 × 2550	153 ± 10
12.5 to 9.5 mm (1/2 to 3/8 in.)	26	570 (2550 - 153)	923 ± 10
		570 + 910	
9.5 to 4.75 mm (3/8 to No. 4)	68	910 (2550 - 153)	1474 ± 5
		570 + 910	
Totals	100		2550 ± 25

Aggregate Size	Percent	Calculation	Air Dry Mass, g
19.0 to 12.5 mm (3/4 to 1/2 in.)	4	0.04 × 2550	102 ± 10
12.5 to 9.5 mm (1/2 to 3/8 in.)	7	0.07 × 2550	179 ± 10
9.5 to 4.75 mm (3/8 to No. 4)	89	2550 - (102 + 179)	2269 ± 5
Totals	100		2550 ± 25

10.2 Place the preliminary test sample in the mechanical washing vessel and add 1000 ± 5 ml of distilled or demineralized water.

10.3 Because of the low specific gravity or high absorption rate, or both, of some aggregates, the proportions of aggregate to water will not provide the intended interparticle abrasion. Testing of these materials will require adjustment of the test specimen mass or volume of both wash and test water, or both.

10.3.1 Wash all materials that are not completely inundated when 1000 ml of water are added to the test sample and test with adjusted sample masses and water volumes.

10.3.2 Determine the bulk, oven-dry specific gravity, and percentage of absorption of the aggregate in accordance with Test Method C127.