

---

---

**Paper and board — Testing of cores —  
Part 4:  
Measurement of dimensions**

*Papier et carton — Essais des mandrins —*

*Partie 4: Mesurage des dimensions*

iTeh STANDARD PREVIEW  
(standards.iteh.ai)

ISO 11093-4:2022

<https://standards.iteh.ai/catalog/standards/sist/7ec7a60c-d1ac-402f-a2fd-5019c48f6b2e/iso-11093-4-2022>



iTeh STANDARD PREVIEW  
(standards.iteh.ai)

ISO 11093-4:2022

<https://standards.iteh.ai/catalog/standards/sist/7ec7a60c-d1ac-402f-a2fd-5019c48f6b2e/iso-11093-4-2022>



**COPYRIGHT PROTECTED DOCUMENT**

© ISO 2022

All rights reserved. Unless otherwise specified, or required in the context of its implementation, no part of this publication may be reproduced or utilized otherwise in any form or by any means, electronic or mechanical, including photocopying, or posting on the internet or an intranet, without prior written permission. Permission can be requested from either ISO at the address below or ISO's member body in the country of the requester.

ISO copyright office  
CP 401 • Ch. de Blandonnet 8  
CH-1214 Vernier, Geneva  
Phone: +41 22 749 01 11  
Email: [copyright@iso.org](mailto:copyright@iso.org)  
Website: [www.iso.org](http://www.iso.org)

Published in Switzerland

# Contents

	Page
Foreword.....	iv
<b>1 Scope.....</b>	<b>1</b>
<b>2 Normative references.....</b>	<b>1</b>
<b>3 Terms and definitions.....</b>	<b>1</b>
<b>4 Sampling.....</b>	<b>2</b>
<b>5 Conditioning.....</b>	<b>2</b>
<b>6 Measurement of internal diameters.....</b>	<b>2</b>
6.1 General.....	2
6.2 Method A.....	3
6.2.1 Apparatus.....	3
6.2.2 Procedure.....	3
6.3 Method B.....	3
6.3.1 Apparatus.....	3
6.3.2 Procedure.....	3
6.4 Method C.....	3
6.4.1 Apparatus.....	3
6.4.2 Procedure.....	3
6.5 Method D.....	4
<b>7 Measurement of external diameters.....</b>	<b>4</b>
7.1 General.....	4
7.2 Method E.....	4
7.2.1 Apparatus.....	4
7.2.2 Procedure.....	4
7.3 Method F.....	5
7.3.1 Apparatus.....	5
7.3.2 Procedure.....	5
7.4 Method G.....	5
7.4.1 Apparatus.....	5
7.4.2 Procedure.....	5
<b>8 Measurement of wall thickness.....</b>	<b>6</b>
8.1 General.....	6
8.2 Method H.....	6
8.2.1 Apparatus.....	6
8.2.2 Procedure.....	6
8.3 Method I.....	6
8.3.1 Apparatus.....	6
8.3.2 Procedure.....	6
8.4 Method J.....	7
<b>9 Measurement of length.....</b>	<b>7</b>
9.1 Apparatus.....	7
9.2 Procedure.....	7
<b>10 Test report.....</b>	<b>7</b>
<b>Annex A (informative) Example of an internal-tri-point micrometer.....</b>	<b>8</b>
<b>Annex B (informative) Examples of vernier callipers.....</b>	<b>9</b>
<b>Annex C (informative) Other examples.....</b>	<b>12</b>
<b>Bibliography.....</b>	<b>13</b>

## Foreword

ISO (the International Organization for Standardization) is a worldwide federation of national standards bodies (ISO member bodies). The work of preparing International Standards is normally carried out through ISO technical committees. Each member body interested in a subject for which a technical committee has been established has the right to be represented on that committee. International organizations, governmental and non-governmental, in liaison with ISO, also take part in the work. ISO collaborates closely with the International Electrotechnical Commission (IEC) on all matters of electrotechnical standardization.

The procedures used to develop this document and those intended for its further maintenance are described in the ISO/IEC Directives, Part 1. In particular, the different approval criteria needed for the different types of ISO documents should be noted. This document was drafted in accordance with the editorial rules of the ISO/IEC Directives, Part 2 (see [www.iso.org/directives](http://www.iso.org/directives)).

Attention is drawn to the possibility that some of the elements of this document may be the subject of patent rights. ISO shall not be held responsible for identifying any or all such patent rights. Details of any patent rights identified during the development of the document will be in the Introduction and/or on the ISO list of patent declarations received (see [www.iso.org/patents](http://www.iso.org/patents)).

Any trade name used in this document is information given for the convenience of users and does not constitute an endorsement.

For an explanation of the voluntary nature of standards, the meaning of ISO specific terms and expressions related to conformity assessment, as well as information about ISO's adherence to the World Trade Organization (WTO) principles in the Technical Barriers to Trade (TBT), see [www.iso.org/iso/foreword.html](http://www.iso.org/iso/foreword.html).

This document was prepared by Technical Committee ISO/TC 6, *Paper, board and pulps*.

This third edition cancels and replaces the second edition (ISO 11093-4:2016), which has been technically revised.

The main changes are as follows:

- due to roundness deviation of paper cores with an internal diameter >180 mm and a wall thickness of <3 mm in [6.2.2](#), a maximum value for the internal diameter of ≤180 mm and a minimum value for the wall thickness of ≥3 mm has been added for Method A;
- the number of methods for determining the internal diameter has been increased from two to four and the remaining methods have been renamed;
- [Figure 2](#) has been changed (5 levels of calibrated mandrel instead of 11 levels);
- information under [Figure 2](#) has been added;
- a new [Figure B.2](#) has been added.

A list of all parts in the ISO 11093 series can be found on the ISO website.

Any feedback or questions on this document should be directed to the user's national standards body. A complete listing of these bodies can be found at [www.iso.org/members.html](http://www.iso.org/members.html).

# Paper and board — Testing of cores —

## Part 4: Measurement of dimensions

### 1 Scope

This document specifies test methods for the determination of the internal diameter, the external diameter, the wall thickness and the length of paper and board cores.

### 2 Normative references

The following documents are referred to in the text in such a way that some or all of their content constitutes requirements of this document. For dated references, only the edition cited applies. For undated references, the latest edition of the referenced document (including any amendments) applies.

ISO 11093-1, *Paper and board — Testing of cores — Part 1: Sampling*

ISO 11093-2, *Paper and board — Testing of cores — Part 2: Conditioning of test samples*

### 3 Terms and definitions

For the purposes of this document, the following terms and definitions apply.

ISO and IEC maintain terminology databases for use in standardization at the following addresses:

- ISO Online browsing platform: available at <https://www.iso.org/obp>
- IEC Electropedia: available at <https://www.electropedia.org/>

#### 3.1

##### internal diameter

*d*

dimension of the internal width of the cylindrical core

Note 1 to entry: See [Figure 1](#).

#### 3.2

##### external diameter

*D*

dimension of the external width of the cylindrical core

Note 1 to entry: See [Figure 1](#).

#### 3.3

##### wall thickness

*s*

distance between the inner and outer surfaces of the core

Note 1 to entry: See [Figure 1](#).

**3.4 length**

$l$   
distance between the two ends of the core

Note 1 to entry: See [Figure 1](#).

**3.5 deformation**

visual surface changes that can affect test results

EXAMPLE Seams, lab joints and cutting burrs.

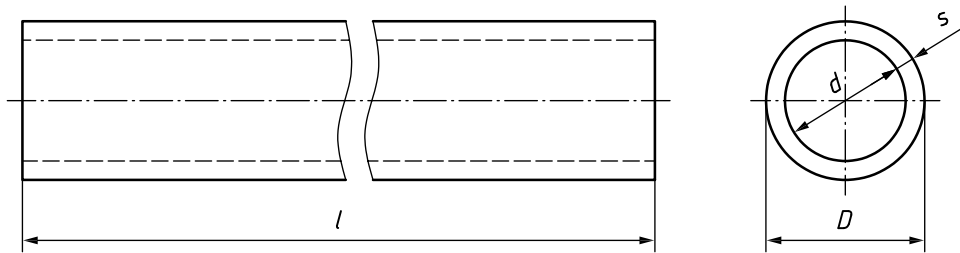


Figure 1 — Diagram of a core showing dimension lines

**4 Sampling**

Samples shall be taken in accordance with ISO 11093-1.

NOTE For the purpose of measuring the length, the specimen constitutes the test piece.

**5 Conditioning**

Test pieces shall be conditioned in accordance with ISO 11093-2.

**6 Measurement of internal diameters**

**6.1 General**

Four methods for determining the internal diameter are available. They are of differing accuracy and speed. The method used shall be compatible with the type of core being measured and shall be specified and reported.

- Method A: Internal tri-point micrometer (see [Figure A.1](#));
- Method B: Internal vernier calliper (see [Figure B.1](#) to [Figure B.3](#));
- Method C: Calibrated step mandrel;
- Method D: By calculation from the external diameter and wall thickness.

## 6.2 Method A

### 6.2.1 Apparatus

An internal tri-point micrometer equipped with a ratchet and accurate to at least 0,025 mm. The instrument shall also be fitted with a slip arrangement such that the measuring force cannot exceed the following:

- internal diameter up to 100 mm:  $(4,5 \pm 0,2)$  N;
- internal diameter over 100 mm:  $(9,0 \pm 0,3)$  N.

### 6.2.2 Procedure

Before using, the device should be calibrated using a calibration ring. To get accurate results, use, if possible, a measurement plate or a centring ring. Avoiding any obvious deformation, insert the tri-point micrometer at least 10 mm from one end of the test piece, such that the device is accurately parallel to the core direction. Take two measurements, to the nearest 0,025 mm, approximately 60° apart. Repeat the procedure at the other end of the test piece. Average the four readings and report to the nearest 0,025 mm.

Due to the roundness deviation of paper cores with an internal diameter >180 mm and a wall thickness <3 mm, an internal tri-point-micrometer shall only be used for paper cores with an internal diameter ≤180 mm and a wall thickness ≥3 mm.

## 6.3 Method B

### 6.3.1 Apparatus

A vernier calliper accurate to at least 0,1 mm (see ISO 13385-1).

[https://standards.iteh.ai/catalog/standards/sist/7ec7a60c-d1ac-402f-a2fd-5019c48f6b2e/iso-](https://standards.iteh.ai/catalog/standards/sist/7ec7a60c-d1ac-402f-a2fd-5019c48f6b2e/iso-11093-4-2022)

### 6.3.2 Procedure

11093-4-2022

Avoiding any obvious deformations, insert the calliper into the test piece such that the measuring faces are aligned axially and radially. Take two measurements, to the nearest 0,1 mm, 90° apart. Repeat the procedure at the other end of the test piece. Average the four readings and report to the nearest 0,1 mm.

## 6.4 Method C

### 6.4.1 Apparatus

A solid round mandrel with external diameters that can accurately determine the diameter to be measured. The mandrel is stepped over its length and graduated in increasing diameters of 0,1 mm with a diameter tolerance of ±0,01 mm and each step having a minimum length of 50 mm.

An example of a solid mandrel is given in [Figure 2](#).

### 6.4.2 Procedure

Insert the mandrel into the test piece until a push fit is obtained and note the graduation at this point. Repeat this procedure at the other end of the test piece. Average the two results and report to the nearest 0,1 mm.

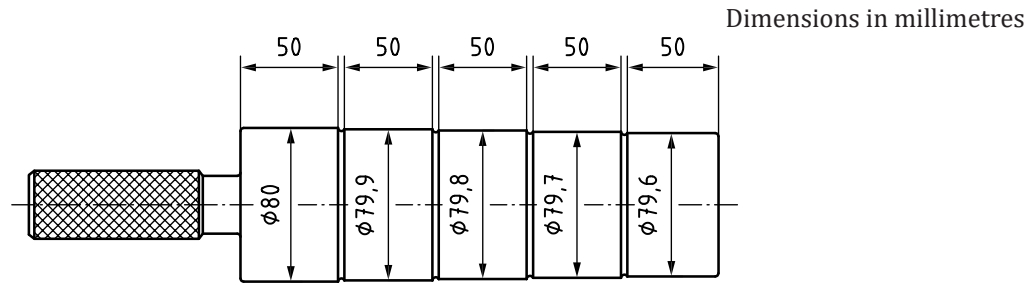


Figure 2 — Example of a calibrated step mandrel

Due to the weight and resulting canting, a test mandrel with a maximum of 5 levels is recommended for diameters >70 mm.

### 6.5 Method D

Measure the external diameter,  $D$ , and the wall thickness  $s$  of the test piece as detailed in [Clause 7](#) and [Clause 8](#). Calculate the internal diameter,  $d$ , using [Formula \(1\)](#):

$$d = D - 2s \tag{1}$$

## 7 Measurement of external diameters

### 7.1 General

Three methods of measuring the external diameter are available. They are of differing accuracy and speed. The method used shall be reported and shall be compatible with the type of core being measured.

- Method E: External micrometer (see [Figure C.1](#));
- Method F: External vernier calliper (see [Figure B.1](#) to [Figure B.3](#));
- Method G: Flexible tape.

### 7.2 Method E

#### 7.2.1 Apparatus

A micrometer accurate to at least 0,025 mm (see ISO 3611). In addition, the micrometer anvil and spindle faces shall be flat and parallel and have a diameter between 6,00 mm and 8,00 mm. The ratchet drive shall allow a measuring force between the following values:

- external diameter up to 150 mm: 4 N to 12 N;
- external diameter over 150 mm: 4 N to 14 N.

#### 7.2.2 Procedure

In order to avoid any obvious deformations, position the micrometer round the test piece at least 10 mm from the end. Ensure that the faces of the measuring anvil and the measuring spindle are radially aligned to the test piece. The measurement shall be made by means of the external micrometer and recorded to the nearest 0,025 mm. Determine and record the maximum and minimum values of external diameter by rotating the test piece around the circumference. Repeat the procedure at the other end of the test piece. Average the four readings and report the result to the nearest 0,025 mm.



### 7.3 Method F

#### 7.3.1 Apparatus

A vernier caliper accurate to at least 0,1 mm (see ISO 13385-1).

#### 7.3.2 Procedure

In order to avoid any obvious deformations, position the vernier caliper at one end of the test piece as shown in [Figure 3](#), ensuring that no deformation of the test piece surface is caused. Measure and record results to the nearest 0,1 mm.

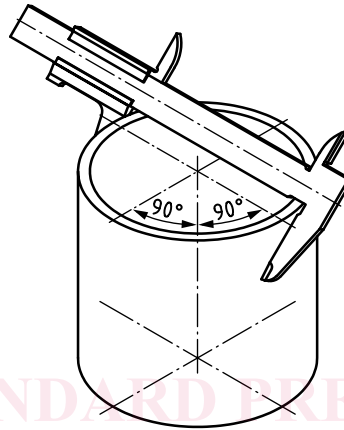


Figure 3 — Position of vernier caliper

Rotate the test piece through 180°. Determine and record the maximum and minimum values of external diameter by rotating the test piece around the circumference. Repeat the procedure at the other end of the test piece. Average the four readings and report the result to the nearest 0,1 mm.

### 7.4 Method G

#### 7.4.1 Apparatus

A flat, fully flexible, metal tape graduated in millimetres.

NOTE A more accurate result can be obtained using a circumferential tape with a vernier scale with 0,1 mm graduations.

#### 7.4.2 Procedure

Wrap the tape around the test piece at least 10 mm from the end, ensuring that the tape is flat on the surface and avoiding any obvious deformations. The tape shall be perpendicular to the axis of the cylindrical core. Record the measurement to the nearest millimetre.

If the tape used does not allow a direct reading of the diameter, [Formula \(2\)](#) shall be used:

$$D = \frac{C}{\pi} \quad (2)$$

where

$C$  is the circumference, in millimetres;

$D$  is the external diameter, in millimetres.

## 8 Measurement of wall thickness

### 8.1 General

Three methods of measuring the wall thickness are available. They are of differing accuracy and speed. The method used shall be compatible with the type of core being measured and shall be reported.

- Method H: Wall-thickness micrometer (see [Figure C.2](#));
- Method I: External vernier calliper (see [Figure B.3](#));
- Method J: Calculation from the external diameter and the internal diameter.

### 8.2 Method H

#### 8.2.1 Apparatus

A wall-thickness micrometer accurate to at least 0,025 mm (see ISO 3611). In addition, the anvil shall be replaced by a cylindrical anvil where the length of the anvil shall be parallel to the spindle face. The dimensions of the anvil and spindle shall be in the following ranges:

- anvil diameter: 8,0 mm to 9,5 mm;
- anvil length: 7,0 mm to 9,0 mm;
- spindle face diameter: 6,0 mm to 8,0 mm.

The ratchet drive shall allow a measuring force in the range 4 N to 14 N.

#### 8.2.2 Procedure

Avoiding any obvious deformations, position the micrometer anvil inside one end of the test piece at least 10 mm from the end and ensure that the spindle face is parallel to the axis of the cylindrical test piece. Close the micrometer and record the measurement to the nearest 0,025 mm. Rotate the test piece through 90° and repeat the measurement. Repeat the procedure at the other end of the test piece. Average the four measurements and record to the nearest 0,025 mm.

### 8.3 Method I

#### 8.3.1 Apparatus

A vernier caliper accurate to at least 0,1 mm (see ISO 13385-1).

#### 8.3.2 Procedure

Avoiding any obvious deformations, position the vernier calliper with one face inside the test piece. Ensure that the faces of the vernier calliper are parallel to the lengthwise axis of the test piece. Close the faces, ensuring no deformation of the test piece surface, and record the measurement to the nearest 0,1 mm. Rotate the test piece through approximately 120° and repeat the measurement. Rotate through a further 120° and repeat the measurement. Repeat the procedure at the other end of the test piece. Average the six readings and record to the nearest 0,1 mm.