



Designation: D5706 – 05 (Reapproved 2011)^{ε1}

Standard Test Method for Determining Extreme Pressure Properties of Lubricating Greases Using a High-Frequency, Linear-Oscillation (SRV) Test Machine¹

This standard is issued under the fixed designation D5706; the number immediately following the designation indicates the year of original adoption or, in the case of revision, the year of last revision. A number in parentheses indicates the year of last reapproval. A superscript epsilon (ϵ) indicates an editorial change since the last revision or reapproval.

^{ε1} NOTE—Updated 7.6 and Fig. 1, and added Note 3 editorially in July 2011.

1. Scope

1.1 This test method covers a procedure for determining extreme pressure properties of lubricating greases under high-frequency linear-oscillation motion using the SRV test machine. This test method can also be used for evaluating extreme pressure properties of lubricating fluid.

1.2 The values stated in SI units are to be regarded as standard. No other units of measurement are included in this standard.

1.3 *This standard does not purport to address all of the safety concerns, if any, associated with its use. It is the responsibility of the user of this standard to establish appropriate safety and health practices and determine the applicability of regulatory limitations prior to use.*

2. Referenced Documents

2.1 ASTM Standards:²

A295/A295M Specification for High-Carbon Anti-Friction Bearing Steel

D217 Test Methods for Cone Penetration of Lubricating Grease

D4175 Terminology Relating to Petroleum, Petroleum Products, and Lubricants

D6425 Test Method for Measuring Friction and Wear Properties of Extreme Pressure (EP) Lubricating Oils Using SRV Test Machine

E45 Test Methods for Determining the Inclusion Content of Steel

G40 Terminology Relating to Wear and Erosion

¹ This test method is under the jurisdiction of ASTM Committee D02 on Petroleum Products and Lubricants and is the direct responsibility of Subcommittee D02.G0.04 on Functional Tests - Tribology.

Current edition approved July 1, 2011. Published August 2011. Originally approved in 1995. Last previous edition approved in 2005 as D5706-05. DOI: 10.1520/D5706-05R11E01.

² For referenced ASTM standards, visit the ASTM website, www.astm.org, or contact ASTM Customer Service at service@astm.org. For *Annual Book of ASTM Standards* volume information, refer to the standard's Document Summary page on the ASTM website.

2.2 Other Standards:³

DIN EN ISO 683-17 Heat-treated Steels, alloy steels and free-cutting steels – Part 17 : Ball and roller bearing steels

DIN EN ISO 13565-2:1998 Geometrical Product Specifications (GPS) – Surface texture: Profile method; Surfaces having stratified functional properties – Part 2: Height characterization using linear material ratio curve (replaces DIN 4776:1990; Measurement of surface roughness; parameters R_K , R_{PK} , R_{VK} , M_{r1} , M_{r2} for the description of the material portion)

3. Terminology

3.1 Definitions:

3.1.1 *break-in, n —in tribology*, an initial transition process occurring in newly established wearing contacts, often accompanied by transients in coefficient of friction or wear rate, or both, which are uncharacteristic of the given tribological system's long-term behavior. **G40**

3.1.2 *coefficient of friction, μ or f , n —in tribology*, the dimensionless ratio of the friction force (F) between two bodies to the normal force (N) pressing these bodies together. **G40**

3.1.3 *Hertzian contact area, n —*the apparent area of contact between two nonconforming solid bodies pressed against each other, as calculated from Hertz's equations of elastic deformation. **G40**

3.1.4 *Hertzian contact pressure, n —*the magnitude of the pressure at any specified location in a Hertzian contact area, as calculated from Hertz's equations of elastic deformation. **G40**

3.1.5 *lubricant, n —*any material interposed between two surfaces that reduces the friction or wear, or both, between them. **D4175**

3.1.6 *lubricating grease, n —*a semi-fluid to solid product of a dispersion of a thickener in a liquid lubricant. **D217**

³ Available from Deutsches Institut für Normung e.V.(DIN), Burggrafenstrasse 6, 10787 Berlin, Germany, http://www.din.de.



FIG. 1 SRV Test Machine, Model III (left), Model 4 (right)

3.1.6.1 *Discussion*—The dispersion of the thickener forms a two-phase system and immobilizes the liquid lubricant by surface tension and other physical forces. Other ingredients are commonly included to impart special properties.

3.1.7 *thickener, n—in lubricating grease*, a substance composed of finely divided solid particles dispersed in a liquid lubricant to form the grease structure. **D217**

3.1.7.1 *Discussion*—The thickener can be fibers (such as various metallic soaps) or plates or spheres (such as certain non-soap thickeners) which are insoluble or, at most, only very slightly soluble in the liquid lubricant. The general requirements are that the solid particles be extremely small, uniformly dispersed, and capable of forming a relatively stable, gel-like structure with the liquid lubricant.

3.1.8 *Ra (C.L.A.), n—in measuring surface finish*, the arithmetic average of the absolute distances of all profile points from the mean line for a given distance.⁴

3.1.8.1 *Discussion*—C.L.A. means center line average, and it is a synonym for Ra.

3.1.9 *Rpk, n—reduced peak height according to DIN EN ISO 13565-2:1998*. Rpk is the mean height of the peak sticking out above the core profile section.

3.1.10 *Rvk, n—reduced valley height according to DIN EN ISO 13565-2:1998*. Rvk is the mean depth of the valley reaching into the material below the core profile section.

3.1.11 *Ry, n—in measuring surface finish*, the vertical distance between the top of the highest peak and the bottom of the deepest valley in one sampling length.⁵

3.1.12 *Rz (DIN), n—in measuring surface finish*, the average of all Ry values (peak to valley heights) in the assessment length.⁶

3.2 Definitions of Terms Specific to This Standard:

3.2.1 *extreme pressure, adj—in lubrication*—characterized by metal surfaces in contact under high-stress rubbing conditions.

3.2.2 *seizure, n—localized fusion of metal between the rubbing surfaces of the test pieces.*

3.2.2.1 *Discussion*—In this test method, seizure is indicated by a sharp rise in the coefficient of friction, over steady state, of greater than 0.2 for over 20 s. In severe cases, a stoppage in the motor will occur.

3.2.3 *SRV, n—Schwingung, Reibung, Verschleiss (German); oscillating, friction, wear (English translation).*

4. Summary of Test Method

4.1 This test method is performed on an SRV test machine using a steel test ball oscillating against a stationary steel test disk with lubricant between them. Test load is increased in 100-N increments until seizure occurs. The load, immediately prior to the load at which seizure occurs, is measured and reported.

NOTE 1—Test frequency, stroke length, temperature, and ball and disk material can be varied to simulate field conditions. The test ball yields point-contact geometry. To obtain line or area contact, test pieces of differing configurations can be substituted for the test balls.

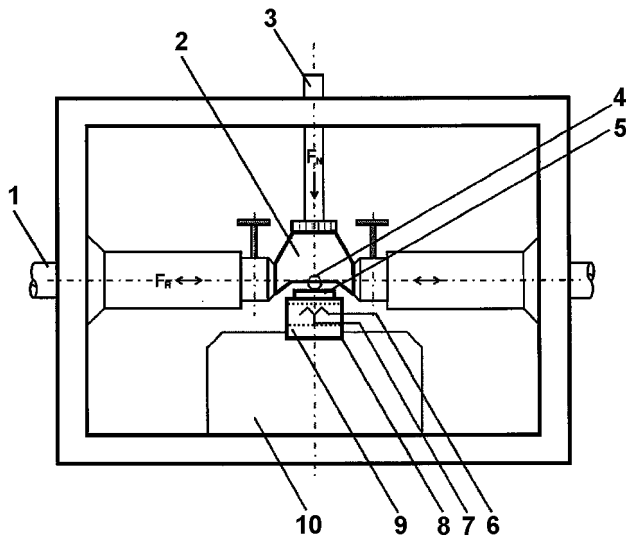
5. Significance and Use

5.1 This laboratory test method can be used to quickly determine extreme pressure properties of lubricating greases at selected temperatures specified for use in applications where high-speed vibrational or start-stop motions are present with high Hertzian point contact. This test method has found wide application in qualifying lubricating greases used in constant velocity joints of front-wheel-drive automobiles. Users of this test method should determine whether results correlate with field performance or other applications.

⁴ Amstutz, Hu, "Surface Texture: The Parameters," Bulletin MI-TP-003-0785, Sheffield Measurement Division, Warner and Swasey, 1985, p. 21.

⁵ Amstutz, Hu, "Surface Texture: The Parameters," Bulletin MI-TP-003-0785, Sheffield Measurement Division, Warner and Swasey, 1985, p. 25.

⁶ Amstutz, Hu, "Surface Texture: The Parameters," Bulletin MI-TP-003-0785, Sheffield Measurement Division, Warner and Swasey, 1985, pp. 31, 29.



- | | |
|--------------------------|-----------------------------------|
| 1. Oscillation drive rod | 6. Electrical resistance heater |
| 2. Test ball holder | 7. Resistance thermometer |
| 3. Load rod | 8. Test disk holder |
| 4. Test ball | 9. Piezoelectric measuring device |
| 5. Test disk | 10. Receiving block |

FIG. 2 Test Chamber Elements

6. Apparatus

6.1 *SRV Test Machine*,⁷ illustrated in Fig. 1 and Fig. 2.

7. Reagents and Materials

7.1 *Test Balls*,⁷ 52100 steel, Rockwell hardness number of 60 ± 2 on Rockwell C scale (HRC), $0.025 \pm 0.005\text{-}\mu\text{m}$ Ra surface finish, 10-mm diameter.

7.2 *Lower Test Disk*,⁷ vacuum arc remelted (VAR) AISI 52100 steel with an inclusion rating using Method D, Type A, as severity level number of 0.5 according to Test Methods E45 and Specification A295/A295M or an inclusion sum value $K1 \leq 10$ according to DIN EN ISO 683-17 and spheroidized annealed to obtain globular carbide, Rockwell hardness number of 60 ± 2 on Rockwell C scale (HRC), the surfaces of the disk being lapped and free of lapping raw materials. The topography of the disk will be determined by four values, 24-mm diameter by 7.85 mm thick:

- $0.5\ \mu\text{m} < R_z \text{ (DIN)} < 0.650\ \mu\text{m}$
- $0.035\ \mu\text{m} < R_a \text{ (C.L.A.)} < 0.050\ \mu\text{m}$
- $0.020\ \mu\text{m} < R_{pk} < 0.035\ \mu\text{m}$
- $0.050\ \mu\text{m} < R_{vk} < 0.075\ \mu\text{m}$

NOTE 2—The DIN 17230-1980 was replaced by DIN EN ISO 683-17.

7.3 *n-Heptane*, reagent grade. (**Warning**—Flammable. Health hazard.)

7.4 *Isopropanol*, reagent grade. (**Warning**—Flammable. Health hazard.)

⁷ The sole source of supply of the apparatus known to the committee at this time is Optimol Instruments Prüftechnik GmbH, Westendstrasse 125, D-80339, Munich Germany, <http://www.optimol-instruments.de>. If you are aware of alternative suppliers, please provide this information to ASTM International Headquarters. Your comments will receive careful consideration at a meeting of the responsible technical committee,¹ which you may attend.

7.5 *Toluene*, reagent grade. (**Warning**—Flammable. Health hazard)

7.6 *Cleaning Solvent*, the test disks have to be cleaned by a liquid solvent (non-chlorinated, non-film forming).

NOTE 3—It is recommended to use a mixture of equal volumes of *n*-heptane, isopropanol, and toluene, all as reagent grades. (**Warning**—Flammable. Health hazard.)

8. Preparation of Apparatus

8.1 Turn on the test machine and chart recorder and allow to warm up for 15 min prior to running tests.

8.2 Select the friction data to be presented in the crest peak value position in accordance with the manufacturer's directions.

NOTE 4—In most cases, this is accomplished by positioning the sliding switch on electronic card NO. 291.35.20E (front side of electronics behind the front panel) and the sliding switch located on the back panel of the control unit.

8.3 Turn the amplitude knob to ZERO.

8.4 Switch the stroke adjustment to AUTO position.

8.5 Set the frequency to 50 Hz.

8.6 Set the desired span and calibrate the chart recorder in accordance with the manufacturer's instructions. Select the desired chart speed.

9. Procedure

9.1 Clean the test ball and disk by wiping the surfaces with laboratory tissue soaked with the cleaning solvent. Repeat wiping until no dark residue appears on the tissue. Immerse the test ball and disk in a beaker of the cleaning solvent under ultrasonic vibration for 10 min. Dry the test ball and disk with a clean tissue to ensure no streaking occurs on the surface.

9.2 *Procedures A and B:*

9.2.1 *Procedure A*—Place a small amount (approximately 0.1 to 0.2 g, the size of a pea) of lubricating grease to be tested on the cleaned test disk in an area such that overlapping with previous wear scars will not occur.

9.2.2 *Procedure B*—Place the grease caliper with 1 mm in height on the cleaned disc. Fill the opening of the grease caliper with grease. Remove any excess grease by means of a spatula. Remove the grease caliper by lifting it upwards. Fasten the disc in the specimen holder.

9.3 Place the cleaned test ball on the top and in the middle of the lubricating grease specimen so that the lubricating grease makes a circular symmetric pad between the test ball and disk.

9.4 Ensure the machine is unloaded (indicated by a load reading of -13 or -14 N) and carefully place disk containing the lubricating grease specimen and test ball on the test area platform.

9.5 Tighten both the ball and disk clamps until resistance to tightening just begins. Then load unit to 100 N and tighten the ball and disk clamps to a torque of 2.5 N·m. Reduce the load to 50 N for break-in.

9.6 Turn on the heater control and set to the desired temperature.

9.7 Set the load charge amplifier to the setting that corresponds to the 400-N load.

9.8 Change the load charge amplifier at each load in accordance with the manufacturer's instructions when the coefficient of friction at each test load is to be studied.

9.9 When the temperature has stabilized, turn on the chart recorder and depress the drive start toggle switch until the timer begins to count and then adjust the stroke amplitude knob to 1.00 mm for Procedure A and to 1.5 mm for Procedure B.

9.10 When the digital timer reaches 30 s, increase the load to 100 N using the slow ramp speed rate and maintain this load for 2 min for Procedure A and 15 min for Procedure B. The 2- or 15-min interval includes the loading ramp sequence. Increase the load by 100 N every 2 min using the slow ramp until a load of 1200 N is reached, or the load limit of the test apparatus is attained, or failure occurs. Failure is indicated by a rise in coefficient of friction of greater than 0.2 over steady state for over 20 s or a stoppage in the oscillating of the test machine (see Test Method [D6425](#)).

NOTE 5—Because a 30-s break-in at 50 N is used, the load increase times will occur on the half minute of even minutes.

NOTE 6—The SRV test machines available after 1992 have a maximum load of 1400 N and SRVIII test machines after 1995 of 2000 N. Optimol Instruments supplies an upgrade kit to allow SRVI/II machines to operate with 1600 N, if needed.

9.11 When the 1200-N load run or maximum load of the test apparatus is completed or failure occurs, turn off the heater control, release the load to minimum setting, (typically -13 or -14 N), and remove the test ball, disk, and lubricating grease test specimen.

10. Report

10.1 Report the following information:

10.1.1 Report all parameters used to evaluate material as follows:

10.1.1.1 Temperature, °C,

10.1.1.2 Stroke, mm,

10.1.1.3 Frequency, Hz,

10.1.1.4 Test ball,

10.1.1.5 Test disk,

10.1.1.6 Lubricating grease test specimen, and

10.1.1.7 Type of procedure—Procedure A or Procedure B.

10.2 Report the highest test load (pass load) at which no seizure occurred.

11. Precision and Bias

11.1 Eighteen cooperators tested eight greases at two temperatures having average load carrying capacities in the SRV apparatus ranging from approximately 200 N to approximately 700 N. The statistical analysis of data from this interlaboratory test program can be obtained from ASTM Headquarters by

requesting Research Report RR:D02-1410⁸ or read in Dickey's publication.⁹ The stroke was 1.0 mm for Procedure A.

11.2 The following criteria should be used for judging the acceptability of results (95 % probability) for lubricating greases which have load carrying capacities of 1200 N or less in the SRV apparatus using Procedure A with 1.0 mm of stroke.

11.2.1 *Repeatability*—The difference between successive results obtained by the same operator with the same apparatus under constant operating conditions on identical test material would, in the long run, in the normal and correct operation of the test method exceed the following values only in one case in twenty.

For tests run at 50°C: 0.7X

For tests run at 80°C: 0.6 (X + 122)

where:

X = the average of two results, N.

11.2.2 *Reproducibility*—The difference between two single and independent results obtained by different operators working in different laboratories on identical test materials would, in the long run, exceed the following values only in one case twenty.

For tests run at 50°C: 1.3X

For tests run at 80°C: 1.2 (X + 122)

where:

X = the average of two results, N.

11.3 *Bias*—The evaluation of load-carrying capacity of lubricating grease by this test method has no bias because load-carrying capacity can be defined only in terms of the test method.

11.4 Using this ASTM test method for the corresponding DIN 51834, part 7, the DIN working group conducted international round robin tests in 2001 (with 32 cooperators), 2002 (with 26 cooperators), and 2003 (with 23 cooperators) at 80°C with two greases using Procedure B, 1.5 mm of stroke, a grease apply caliper, and 15 min of running-in. The results are given in [Table 1](#).¹⁰

12. Keywords

12.1 extreme pressure; lubricating grease; oscillating; SRV

⁸ Supporting data have been filed at ASTM International Headquarters and may be obtained by requesting Research Report RR:D02-1410.

⁹ Dickey, J., "New ASTM and DIN Methods for Measuring Tribological Properties using SRV Test Instrument," *NLGI Spokesman*, March 1997, pp. 17-23.

¹⁰ Supporting data have been filed at ASTM International Headquarters and may be obtained by requesting Research Report RR:D02-1565.