



Designation: C955 – 11a

# Standard Specification for Load-Bearing (Transverse and Axial) Steel Studs, Runners (Tracks), and Bracing or Bridging for Screw Application of Gypsum Panel Products and Metal Plaster Bases<sup>1</sup>

This standard is issued under the fixed designation C955; the number immediately following the designation indicates the year of original adoption or, in the case of revision, the year of last revision. A number in parentheses indicates the year of last reapproval. A superscript epsilon ( $\epsilon$ ) indicates an editorial change since the last revision or reapproval.

## 1. Scope\*

1.1 This specification covers steel studs, runners (tracks), and bracing or bridging (with a base steel minimum thickness of not less than 0.0329 in. (0.836 mm)) for screw application of gypsum panel products and metal plaster bases in load-bearing (transverse and axial) construction assemblies. Steel of lesser thickness shall be permitted in additional engineered products.

1.2 The values stated in inch-pound units are to be regarded as standard. The values given in parentheses are mathematical conversions to SI units that are provided for information only and are not considered standard.

1.3 The following precautionary caveat pertains only to the test method portion, Section 8, of this specification: *This standard does not purport to address all of the safety concerns, if any, associated with its use. It is the responsibility of the user of this standard to establish appropriate safety and health practices and determine the applicability of regulatory limitations prior to use.*

## 2. Referenced Documents

2.1 *ASTM Standards:*<sup>2</sup>

[A653/A653M Specification for Steel Sheet, Zinc-Coated \(Galvanized\) or Zinc-Iron Alloy-Coated \(Galvannealed\) by the Hot-Dip Process](#)

[A792/A792M Specification for Steel Sheet, 55 % Aluminum-Zinc Alloy-Coated by the Hot-Dip Process](#)

[A875/A875M Specification for Steel Sheet, Zinc-5 % Aluminum Alloy-Coated by the Hot-Dip Process](#)

[A1003/A1003M Specification for Steel Sheet, Carbon, Metallic- and Nonmetallic-Coated for Cold-Formed Framing Members](#)

<sup>1</sup> This specification is under the jurisdiction of ASTM Committee C11 on Gypsum and Related Building Materials and Systems and is the direct responsibility of Subcommittee C11.02 on Specifications and Test Methods for Accessories and Related Products.

Current edition approved Aug. 1, 2011. Published August 2011. Originally approved in 1981. Last previous edition approved in 2011 as C955-11. DOI: 10.1520/C0955-11A.

<sup>2</sup> For referenced ASTM standards, visit the ASTM website, www.astm.org, or contact ASTM Customer Service at service@astm.org. For *Annual Book of ASTM Standards* volume information, refer to the standard's Document Summary page on the ASTM website.

[C11 Terminology Relating to Gypsum and Related Building Materials and Systems](#)

[C954 Specification for Steel Drill Screws for the Application of Gypsum Panel Products or Metal Plaster Bases to Steel Studs from 0.033 in. \(0.84 mm\) to 0.112 in. \(2.84 mm\) in Thickness](#)

2.2 *AISI Standard:*<sup>3</sup>

[Specification for the Design of Cold-Formed Steel Structural Members](#)

## 3. Terminology

3.1 *Definitions:* Definitions shall be in accordance with Terminology C11.

3.2 *Definitions of Terms Specific to This Standard:*

3.2.1 *members, n*—studs, runners, tracks, bracing, bridging, accessories or other items manufactured in accordance with this standard.

3.2.2 *structural member, n*—a member in a steel framed system in which the loading exceeds any of the following conditions: a transverse load of 20 lbf/ft (290 N/m) of member length, or an axial load, exclusive of sheathing, of 200 lbf (890 N) per member.

## 4. Materials and Manufacture

4.1 Members shall be manufactured from steel meeting the requirements of Specification A1003/A1003M.

4.2 The minimum steel thickness (base steel) shall be not less than 0.0329 in. (0.84 mm).

4.3 Individual measurements before the application of protective coating shall be not less than 95 % of the specified design thickness.

4.4 Members shall have a protective coating in accordance with Table 1, CP 60 minimum.

4.5 Edges of members shall be manufactured to minimize burrs and sharp edges.

4.6 Factory punch-outs, when provided, shall be located along the centerline of the webs of members and shall have center-to-center spacing of not less than 24 in. (610 mm). Web punch-outs maximum width shall be the lesser of 0.5 times the

<sup>3</sup> Available from American Iron and Steel Institute (AISI), 1140 Connecticut Ave., NW, Suite 705, Washington, DC 20036, http://www.steel.org.

\*A Summary of Changes section appears at the end of this standard.

**TABLE 1 Coating Designations**

Coating Classification	Coating Designator	Minimum Coating Requirements			
		Zinc-Coated <sup>A</sup> oz/ft <sup>2</sup> (g/m <sup>2</sup> )	Zinc Iron <sup>B</sup> oz/ft <sup>2</sup> (g/m <sup>2</sup> )	55 % Al-Zinc <sup>C</sup> oz/ft <sup>2</sup> (g/m <sup>2</sup> )	Zinc-5 % <sup>D</sup> oz/ft <sup>2</sup> (g/m <sup>2</sup> )
Metallic Coated	CP 60	G60 (Z 180)	A60 (ZF 180)	AZ 50 (AZM 150)	GF 30 (ZGF 90)
	CP 90	G90 (Z 275)	Not Applicable	AZ 50 (AZM 150)	GF 45 (ZGF 135)
Painted Metallic	PM	The metallic coated substrate shall meet the requirements of metallic coated. In addition, the paint film shall have a minimum thickness of 0.5 mil (0.013 mm) per side (primer plus topcoat) with a minimum primer thickness of 0.1 mil (0.0002 mm) per side. <sup>E</sup>			

<sup>A</sup> Zinc-coated steel sheet as described in Specification A653/A653M.  
<sup>B</sup> Zinc-iron alloy-coated steel sheet as described in Specification A653/A653M.  
<sup>C</sup> 55 % Aluminum-zinc alloy-coated steel sheet as described in Specification A792/A792M.  
<sup>D</sup> Zinc-5 % aluminum alloy-coated steel sheet as described in Specification A875/A875M.  
<sup>E</sup> In accordance with the requirements of Specification A1003/A1003M.

member depth, d, or 2½ in. (64 mm). Web punch-out length shall not exceed 4 ½ in. (114 mm). Minimum distance between the end of the member and the near edge of the web punch-out shall be 10 in. (254 mm). The size of the factory punch-outs shall not exceed the size used in design and the center-to-center spacing shall not be less than that used in design.

4.7 The properties and strength of members shall be computed in accordance with the **AISI Specification for the Design of Cold-Formed Steel Structural Members**.

**5. Performance Requirements**

5.1 When tested in accordance with Section 8, members shall be capable of pulling the head of the screw below the surface of the gypsum panel product without spin out (see Fig. 1).

**6. Dimensions and Permissible Variations**

6.1 Data for calculating design performance shall be supplied by the manufacturer.

6.2 The width of the surface to which the sheathing board is attached shall be not less than 1¼ in. (32 mm).

6.3 Runners (track) shall be formed in a U-shaped configuration, having a depth compatible with that of the studs of the same nominal size.

6.4 Minimum height of runner (track) flanges shall be 1¼ in. (32 mm).

6.5 Members shall be manufactured within the limits as shown in Table 2 and Fig. 2.

**TABLE 2 Manufacturing Tolerances**

Dimension <sup>A</sup>	Item Checked	Structural Studs, in. (mm)	Structural Track, in. (mm)
A	length	+ 3/32 (2.38)	+ 1/2 (12.7)
		- 3/32 (2.38)	- 1/4 (6.35)
B <sup>B</sup>	web width	+ 1/32 (0.79)	+ 1/32 (0.79)
		- 1/32 (0.79)	+ 1/8 (3.2)
C	flare overbend	+ 1/16 (1.59)	+ 0 (0)
		- 1/16 (1.59)	- 3/32 (2.38)
D	hole center width	+ 1/16 (1.59)	NA
		- 1/16 (1.59)	
E	hole center length	+ 1/4 (6.35)	NA
		- 1/4 (6.35)	
F	crown	+ 1/16 (1.59)	+ 1/16 (1.59)
		- 1/16 (1.59)	- 1/16 (1.59)
G <sup>C</sup>	camber	1/8 (3.2) max per 10 ft	1/32 per ft (0.79)
			1/2 max (12.7)
H <sup>C</sup>	bow	1/8 (3.2) max per 10 ft	1/32 per ft (0.79)
			1/2 max (12.7)
I	twist	1/32 per ft (0.79)	1/32 per ft (0.79)
		1/2 max (12.7)	1/2 max (12.7)

<sup>A</sup> All measurements shall be taken not less than 1 ft (305 mm) from the end.  
<sup>B</sup> Outside dimension for stud; inside for track.  
<sup>C</sup> 1/8 in. (3 mm) max per 10 ft (3000 mm) represents L/960 maximum for overall camber and bow. Thus a 20 ft (6000 mm) long member would have 1/4 in. (6 mm) permissible maximum; a 5 ft (1500 mm) long member would have 1/16 in. (1.5 mm) permissible maximum.

6.6 Bracing and bridging shall have configuration and steel thickness to provide secondary support for the studs in accordance with the **AISI Specification for the Design of Cold-Formed Steel Structural Members**.

**7. Workmanship, Finish, and Appearance**

7.1 The steel members shall be free of defects that interfere with the purpose for which they are intended.

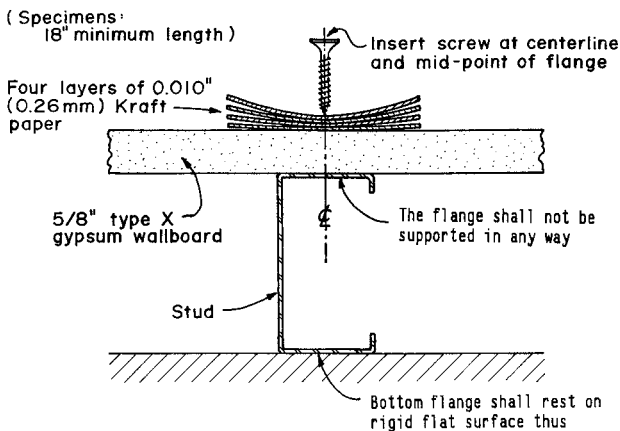
**8. Penetration Test**

8.1 *Significance and Use*—This test method provides a procedure for evaluating the member’s ability to pull the head of a screw below the surface of the gypsum panel product. It shall be used to determine compliance with this specification. The degree of performance of this test method with service performance has not been determined.

8.2 *Apparatus shall satisfy the following:*

8.2.1 *Electric Drill* capable of 2500 r/min (free spindle speed), supplied with a screw driving bit to fit the screw used in the test.

8.3 *Materials shall satisfy the following:*



**FIG. 1 Studs**