



SLOVENSKI STANDARD
SIST EN 60360:2000/A2:2000
01-september-2000

Amendment A2:1997 to EN 60360:1989

Standard method of measurement of lamp cap temperature rise

Standardverfahren zur Messung der Lampensockel-Übertemperatur

Méthode normalisée de mesure de l'échauffement d'un culot de lampe

Ta slovenski standard je istoveten z: EN 60360:1989/A2:1997

[SIST EN 60360:2000/A2:2000](https://standards.iteh.ai/catalog/standards/sist/8b3086fc-5a61-4fde-829c-e3dc877efc61/sist-en-60360-2000-a2-2000)

<https://standards.iteh.ai/catalog/standards/sist/8b3086fc-5a61-4fde-829c-e3dc877efc61/sist-en-60360-2000-a2-2000>

ICS:

29.140.10 Grla in držala žarnic Lamp caps and holders

SIST EN 60360:2000/A2:2000 **en**

iTeh STANDARD PREVIEW
(standards.iteh.ai)

[SIST EN 60360:2000/A2:2000](https://standards.iteh.ai/catalog/standards/sist/8b3086fc-5a61-4fde-829c-e3dc877efc61/sist-en-60360-2000-a2-2000)

<https://standards.iteh.ai/catalog/standards/sist/8b3086fc-5a61-4fde-829c-e3dc877efc61/sist-en-60360-2000-a2-2000>

EUROPEAN STANDARD
NORME EUROPÉENNE
EUROPÄISCHE NORM

EN 60360/A2

January 1997

UDC 621.327.2:620.19
ICS 29.140.10

Descriptors: Tungsten filament lamp, lamp cap, temperature rise, test method, test conditions

English version

**Standard method of measurement of lamp cap temperature rise
(IEC 360:1987/A2:1996)**

Méthode normalisée de mesure de
l'échauffement d'un culot de lampe
(CEI 360:1987/A2:1996)

Standardverfahren zur Messung der
Lampensockel-Übertemperatur
(IEC 360:1987/A2:1996)

iTeh STANDARD PREVIEW
(standards.iteh.ai)

[SIST EN 60360:2000/A2:2000](https://standards.iteh.ai/catalog/standards/sist/8b3086fc-5a61-4fde-829c-e3dc877efc61/sist-en-60360-2000-a2-2000)

<https://standards.iteh.ai/catalog/standards/sist/8b3086fc-5a61-4fde-829c-e3dc877efc61/sist-en-60360-2000-a2-2000>

This amendment A2 modifies the European Standard EN 60360:1989; it was approved by CENELEC on 1996-12-09. CENELEC members are bound to comply with the CEN/CENELEC Internal Regulations which stipulate the conditions for giving this amendment the status of a national standard without any alteration.

Up-to-date lists and bibliographical references concerning such national standards may be obtained on application to the Central Secretariat or to any CENELEC member.

This amendment exists in three official versions (English, French, German). A version in any other language made by translation under the responsibility of a CENELEC member into its own language and notified to the Central Secretariat has the same status as the official versions.

CENELEC members are the national electrotechnical committees of Austria, Belgium, Denmark, Finland, France, Germany, Greece, Iceland, Ireland, Italy, Luxembourg, Netherlands, Norway, Portugal, Spain, Sweden, Switzerland and United Kingdom.

CENELEC

European Committee for Electrotechnical Standardization
Comité Européen de Normalisation Electrotechnique
Europäisches Komitee für Elektrotechnische Normung

Central Secretariat: rue de Stassart 35, B - 1050 Brussels

Foreword

The text of document 34A/672/FDIS, future amendment 2 to IEC 360:1987, prepared by SC 34A, Lamps, of IEC TC 34, Lamps and related equipment, was submitted to the IEC-CENELEC parallel vote and was approved by CENELEC as amendment A2 to EN 60360:1989 on 1996-12-09.

The following dates were fixed:

- latest date by which the amendment has to be implemented at national level by publication of an identical national standard or by endorsement (dop) 1997-09-01
- latest date by which the national standards conflicting with the amendment have to be withdrawn (dow) 1997-09-01

Endorsement notice

The text of amendment 2:1996 to the International Standard IEC 360:1987 was approved by CENELEC as an amendment to the European Standard without any modification.

iTeh STANDARD PREVIEW
(standards.iteh.ai)

[SIST EN 60360:2000/A2:2000](https://standards.iteh.ai/catalog/standards/sist/8b3086fc-5a61-4fde-829c-e3dc877efc61/sist-en-60360-2000-a2-2000)

<https://standards.iteh.ai/catalog/standards/sist/8b3086fc-5a61-4fde-829c-e3dc877efc61/sist-en-60360-2000-a2-2000>



NORME
INTERNATIONALE
INTERNATIONAL
STANDARD

CEI
IEC
360

1987

AMENDEMENT 2
AMENDMENT 2

1996-11

Amendement 2

**Méthode normalisée de mesure
de l'échauffement d'un culot de lampe**

iTeh STANDARD PREVIEW
Amendment 2
(standards.iteh.ai)

**Standard method of measurement of
lamp cap temperature rise**

<https://standards.iteh.ai/catalog/standards/sist-en-60360-2000-a2-2000>

© CEI 1996 Droits de reproduction réservés — Copyright - all rights reserved

Bureau central de la Commission Electrotechnique Internationale 3, rue de Varembe Genève Suisse



Commission Electrotechnique Internationale
International Electrotechnical Commission
Международная Электротехническая Комиссия

CODE PRIX
PRICE CODE

B

● Pour prix, voir catalogue en vigueur
For price, see current catalogue

FOREWORD

This amendment has been prepared by subcommittee 34A: Lamps, of IEC technical committee 34: Lamps and related equipment.

The text of this amendment is based on the following documents:

FDIS	Report on voting
34A/672/FDIS	34A/702/RVD

Full information on the voting for the approval of this amendment can be found in the voting report indicated in the above table.

iTeh STANDARD PREVIEW
(standards.iteh.ai)

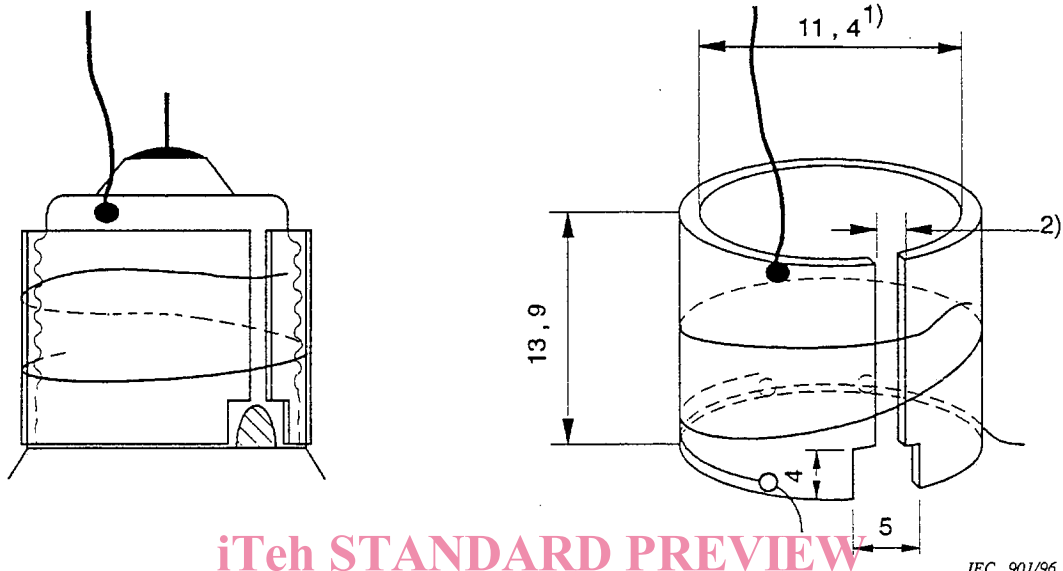
[SIST EN 60360:2000/A2:2000](https://standards.iteh.ai/catalog/standards/sist/8b3086fc-5a61-4fde-829c-e3dc877efc61/sist-en-60360-2000-a2-2000)

<https://standards.iteh.ai/catalog/standards/sist/8b3086fc-5a61-4fde-829c-e3dc877efc61/sist-en-60360-2000-a2-2000>

Page 25

Ajouter la nouvelle figure 14 suivante:

Add the following new figure 14:



iTeh STANDARD PREVIEW
 (standards.iteh.ai)

Dimensions en millimètres

Dimensions in millimetres

SIST EN 60360:2000/A2:2000

- 1) Diamètre intérieur. Doit permettre à la douille de se maintenir sur le culot par effet de ressort.
- 2) La largeur de la fente doit être de $2 \text{ mm} \pm 1,5 \text{ mm}$ lorsque la douille d'essai est montée sur la lampe.

- 1) Inside diameter. Shall allow the holder to be clamped on the cap by spring action.
- 2) The width of the slit shall be $2 \text{ mm} \pm 1,5 \text{ mm}$ when the test lampholder is mounted on the lamp.

Figure 14 – Dimensions approximatives de la douille d'essai pour culot E12/15
Approximate dimensions of test lampholder for E12/15 cap