



Designation: D1050 – 05 (Reapproved 2011)

## Standard Specification for Rubber Insulating Line Hose<sup>1</sup>

This standard is issued under the fixed designation D1050; the number immediately following the designation indicates the year of original adoption or, in the case of revision, the year of last revision. A number in parentheses indicates the year of last reapproval. A superscript epsilon ( $\epsilon$ ) indicates an editorial change since the last revision or reapproval.

*This standard has been approved for use by agencies of the U.S. Department of Defense.*

### 1. Scope

1.1 This specification covers acceptance testing of rubber insulating line hose for use as a portable protective device for protection of workers from accidental contact with live electrical conductors.

1.2 Two types of line hose are provided and are designated as Type I, non-resistant to ozone, and Type II and Type III, resistant to ozone.

1.3 Five classes of line hose, differing in electrical characteristics, are provided and are designated as Class 0, Class 1, Class 2, Class 3, and Class 4.

1.4 Four styles of line hose, differing in design characteristics, are provided and are designated as Style A, Style B, Style C, and Style D.

1.5 The following precautionary caveat pertains only to the test method portion, Sections 16, 17, 18, 19, of this specification: *This standard does not purport to address all of the safety concerns, if any, associated with its use. It is the responsibility of the user of this standard to establish appropriate safety and health practices and determine the applicability of regulatory limitations prior to use.* For specific precautionary statements, see 18.1.1.

### 2. Referenced Documents

2.1 *ASTM Standards*:<sup>2</sup>

D297 Test Methods for Rubber Products—Chemical Analysis

D412 Test Methods for Vulcanized Rubber and Thermoplastic Elastomers—Tension

D570 Test Method for Water Absorption of Plastics

<sup>1</sup> This specification is under the jurisdiction of ASTM Committee F18 on Electrical Protective Equipment for Workers and is the direct responsibility of Subcommittee F18.25 on Insulating Cover-Up Equipment. This standard replaces ANSI Standard J 6.1, which is no longer available.

Current edition approved Sept. 1, 2011. Published September 2011. Originally approved in 1949 as D1050 – 49 T. Last previous edition approved in 2005 as D1050 – 05 $\epsilon$ 1. DOI: 10.1520/D1050-05R11.

<sup>2</sup> For referenced ASTM standards, visit the ASTM website, www.astm.org, or contact ASTM Customer Service at service@astm.org. For *Annual Book of ASTM Standards* volume information, refer to the standard's Document Summary page on the ASTM website.

D573 Test Method for Rubber—Deterioration in an Air Oven

D624 Test Method for Tear Strength of Conventional Vulcanized Rubber and Thermoplastic Elastomers

D2865 Practice for Calibration of Standards and Equipment for Electrical Insulating Materials Testing

F819 Terminology Relating to Electrical Protective Equipment for Workers

2.2 *Federal Specification*:<sup>3</sup>

PPP-B-636 Box, Shipping, Filterboard

2.3 *ANSI Standards*:<sup>4</sup>

C 2 National Electrical Safety Code, Section 44

C 39.5 Safety Requirements for Electrical and Electronic Measuring and Controlling Instrumentation

C 84.1 Electric Power Systems and Equipment—Voltage Ratings

### 3. Terminology

3.1 *Definitions of Terms Specific to This Standard*:

3.1.1 *breakdown*—the electrical discharge or arc occurring between the electrodes and through the equipment being tested.

3.1.2 *flashover*—the electrical discharge or arc occurring between electrodes and over or around, but not through, the equipment being tested.

3.1.3 *electrical testing facility*—a location with qualified personnel, testing equipment, and procedures for the inspection and electrical testing of electrical insulating protective equipment.

3.1.4 *electrode clearance*—the shortest path from the energized electrode to the ground electrode.

3.1.5 *insulated*—separated from other conducting surfaces by a dielectric substance (including air space) offering a high resistance to the passage of current.

NOTE 1—When an object is said to be insulated, it is understood to be insulated in a suitable manner for the conditions to which it is subjected. Otherwise, it is, within the purpose of this definition, uninsulated.

<sup>3</sup> Available from Standardization Documents, Order Desk, Bldg. 4, Section D, 700 Robbins Ave., Philadelphia, PA 19111-5094, ATTN: NPODS.

<sup>4</sup> Available from American National Standards Institute, 11 West 42nd Street, 13th Floor, New York, NY 10036.

Insulating covering of conductors is one means of making the conductor insulated.

3.1.6 *isolated*—an object that is not readily accessible to persons unless special means of access are used.

3.1.7 *ozone*—a very active form of oxygen that may be produced by corona, arcing, or ultra-violet rays.

3.1.8 *ozone cutting and checking*—the cutting action produced by ozone on rubber under mechanical stress into a series of interlacing cracks.

3.1.9 *rubber*—a generic term that includes elastomers and elastomeric compounds, regardless of origin.

3.1.10 *voltage, maximum use*—the ac voltage (rms) rating of the protective equipment that designates the maximum nominal design voltage of the energized system that may be safely worked. The nominal design voltage is equal to the phase to phase voltage on multiphase circuits.

3.1.11 If there is not multiphase exposure in a system area and the voltage exposure is limited to phase (polarity on dc systems) to ground potential, the phase (polarity on dc systems) to ground potential shall be considered to be the nominal design voltage. If electrical equipment and devices are insulated, or isolated, or both, such that the multiphase exposure on a grounded wye circuit is removed, then the nominal design voltage may be considered as the phase-to-ground voltage on that circuit.

NOTE 2—The work practices and methods associated with removing multiphase exposures at any given work site are not addressed in this specification. Users should refer to ANSI C2, National Safety Code, Section 44, for proper work practices.

3.1.12 *voltage, nominal design*—a nominal value consistent with the latest revision on ANSI C 84.1, assigned to the circuit or system for the purpose of conveniently designating its voltage class.

3.2 For definitions of other terms, refer to Terminology F819.

4. Significance and Use

4.1 This specification covers the minimum electrical, chemical, and physical properties guaranteed by the manufacturer and the detailed procedures by which such properties are

TABLE 1 Proof-Test/Use Voltage Relationship

Class of Insulating Line Hose	Nominal Maximum Use Voltage <sup>A</sup> Phase-Phase, ac rms, V	AC Proof-Test Voltage, rms V	DC Proof-Test Voltage, avg, V,
0	1 000	5 000	20 000
1	7 500	10 000	40 000
2	17 000	20 000	50 000
3	26 500	30 000	60 000
4	36 000	40 000	70 000

<sup>A</sup> Except for Class 0 equipment, the maximum use voltage is based on the following formula:

$$\text{Maximum use voltage} = 0.095 \text{ ac proof-test voltage} - 2000$$

The formula takes into account the reduction in the volts per mil capability of the material with increasing thickness.

to be determined. The purchaser may at his option perform or have performed any of these tests in order to verify the guarantee. Claims for failure to meet the specification are subject to verification by the manufacturer.

4.2 Line hose is used for personal protection; therefore, when authorizing its use, a margin of safety should be provided between the maximum voltage at which it is used and the proof-test voltage at which it is tested. The relationship between proof-test voltage and the nominal maximum voltage at which line hose shall be used is shown in Table 1.

4.3 It is common practice for the user of this type of protective equipment to prepare complete instructions and regulations to govern in detail the correct and safe use of such equipment.

5. Classification

5.1 Line hose covered under this specification shall be designated as Type I, Type II, or Type III; Class 0, Class 1, Class 2, Class 3, or Class 4; Style A, Style B, Style C, or Style D.

5.1.1 *Type I*, non-resistant to ozone, made from a high-grade *cis*-1,4-polyisoprene rubber compound of natural or synthetic origin, properly vulcanized.

5.1.2 *Type II*, ozone resistant, made of any elastomer or combination of elastomeric compounds.

TABLE 2 AC Voltage Requirements

Hose Size, ID, in.	Test Mandrel Size, in. <sup>A</sup>	Types I, II, and III Style A and B			Types II and III Style C and D		
		Class	Proof-Test Voltage, rms V	Minimum Flashover Test Voltage, <sup>B</sup> rms V	Class	Proof-test Voltage, rms V	Minimum Flashover Test Voltage, <sup>B</sup> rms V
1/4	3/16	0	5 000	6 000	0	5 000	7 000
5/8	9/16	1	10 000	12 000	1	10 000	20 000
1	1 5/16	2	20 000	22 000	2	20 000	30 000
1 1/4	1 3/8	2	20 000	25 000	2	20 000	35 000
1 1/2	1 1/4	3	30 000	30 000	4	40 000	50 000
2	1 3/4	3	30 000	32 000	4	40 000	50 000
2 1/2	2 1/4	3	30 000	35 000	4	40 000	60 000

<sup>A</sup> Commercially available copper, brass, or iron tubing, conduit, or rod that approximates these nominal sizes is acceptable.

<sup>B</sup> The flashover test values investigate design capability of each style of line hose.

5.1.3 *Type III*, ozone resistant, made of any combination of an elastomer and thermoplastic polymers, elastic in nature.

5.1.4 The class designation shall be based on the electrical properties as shown in [Table 1](#), [Table 2](#), or [Table 3](#).

5.1.5 *Style A* line hose shall be designed in the straight style with a constant cross section throughout the length of the line hose ([Fig. 1](#)).

5.1.6 *Style B* line hose shall be designed in the connector-end style, which is similar to the straight style except that it shall have a molded connector permanently affixed to one end of the line hose ([Fig. 1](#)).

5.1.7 *Style C* line hose shall be designed in the extended-lip style with major outward extending lips ([Fig. 1](#)).

5.1.8 *Style D* line hose shall be designed in the extended lip style with major outward extending lips. It shall have a molded connector permanently affixed to one end of the line hose ([Fig. 1](#)).

NOTE 3—Rubber insulating line hose should remain suitably flexible for application and removal through normal working temperatures of -29 to 54.5°C (-20 to 130°F).

NOTE 4—Separate molded connectors are available to connect two lengths of Style A or Style C line hose.

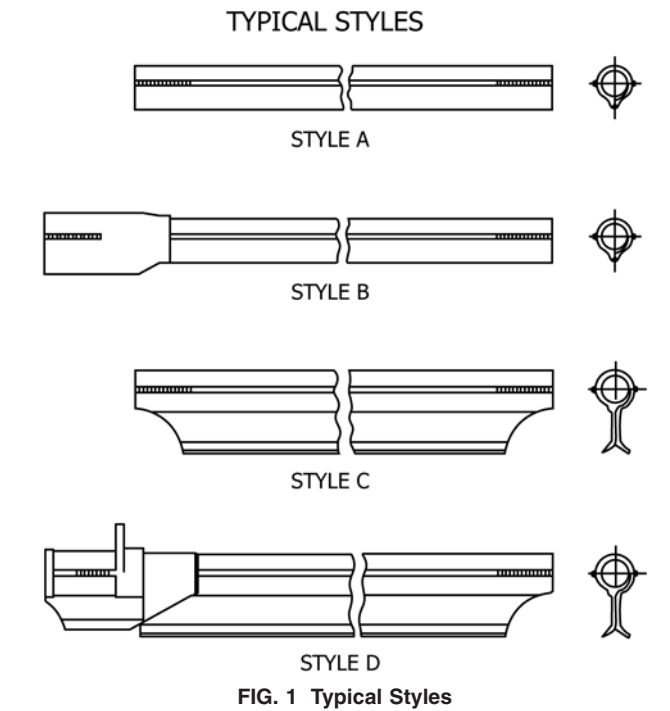
**6. Ordering Information**

6.1 Orders for line hose under this specification should include the following information:

- 6.1.1 Type,
- 6.1.2 Class,
- 6.1.3 Style,
- 6.1.4 Size, and
- 6.1.5 Length.

6.2 The listing of types, classes, styles, sizes, and lengths is not intended to mean that all shall necessarily be available from manufacturers; it signifies only that, if made, they shall conform to the details of this specification. In addition, lengths other than standard lengths may be obtained to meet field conditions.

6.3 Factory-produced openings located on the top, sides, or lips of the hose are permissible. These openings must be specified on the purchase order and shall not be larger than 25 mm (1 in.) in diameter and the center of the opening shall not



be more than 25 mm from the end of the hose or less than 25 mm from the edge of the lips.

**7. Manufacture and Marking**

7.1 The line hose shall be constructed in four styles: straight style, connector-end style, extended-lip style, and connector-end extended-lip style. The line hose shall be formed with an interlocking lip of sufficient length to prevent the device from being dislodged accidentally from the conductor it covers. The interlocking lip shall be closely adjacent to the inside surface contour of the outer wall. The adapter end of connector-end style line hose shall be not less than 140 mm (5½ in.) deep, and its inside diameter shall be such that it will snugly grip the end of the line hose of the same size which it joins.

7.2 Each line hose shall be marked clearly and permanently with the name of manufacturer or supplier, type, class, and

**TABLE 3 DC Voltage Requirements**

Hose Size, ID, in.	Test Mandrel Size, in. <sup>A</sup>	Types I, II, and III Style A and B			Types II and III Style C and D		
		Class	Proof-Test Voltage, <sup>B</sup> avg V	Minimum Flashover Test Voltage, <sup>C, D</sup> avg V	Class	Proof-test Voltage, <sup>B</sup> avg V	Minimum Flashover Test Voltage, <sup>C, D</sup> avg V
¼	⅜	0	10 000	12 000	0	10 000	15 000
⅝	⅞	1	30 000	30 000	1	30 000	55 000
1	1¼	2	35 000	35 000	2	35 000	60 000
1¼	1¾	2	35 000	45 000	2	35 000	65 000
1½	1¾	3	50 000	50 000	4	60 000	75 000
2	1¾	3	50 000	60 000	4	60 000	75 000
2½	2¼	3	50 000	70 000	4	70 000	90 000

<sup>A</sup> Commercially available copper, brass, or iron tubing, conduit, or rod that approximates these nominal sizes is acceptable.

<sup>B</sup> dc proof-test values shown in Table 3 are limited due to the inability to seal lip openings.

<sup>C</sup> The flashover test values investigate design capability of each style of line hose.

<sup>D</sup> dc flashover values were determined using negative polarity.

ASTM D1050. Line hose may be marked by either molding the information directly into the hose or by use of a label; either method is equally acceptable. The method shall be at the discretion of the manufacturer. If a label is used, the color shall be that specified for each voltage class: Class 0—red, Class 1—white, Class 2—yellow, Class 3—green, and Class 4—orange.

## 8. Chemical and Physical Properties

8.1 Each line hose shall conform to the physical requirements in [Table 4](#) and, for Type I line hose, the determination of rubber polymer in accordance with [19.1.1](#).

## 9. Electrical Requirements

9.1 Each line hose shall withstand the 60-Hz ac proof-test voltage (rms value) specified in [Table 2](#) or the dc proof test voltage (average value) specified in [Table 3](#). The proof test shall be performed in accordance with [Section 18](#) and shall be run continuously for 3 min.

9.2 Sample lengths of line hose, as specified in [14.3.2](#) and [14.3.3](#), shall pass the minimum flashover test values of [Table 2](#) or 3 when tested in accordance with [18.2](#).

9.3 Sample lengths of Type II and Type III line hose, as specified in [14.3.4](#), shall show no visible effects from ozone when tested in accordance with [18.3](#). Any visible signs of ozone deterioration, such as checking, cracking, breaks, pitting, etc., shall be considered as evidence of failure to meet the requirements of Type II and Type III line hose.

## 10. Dimensions and Permissible Variations

10.1 *Size*—The inside diameter shall indicate the size of the line hose. Standard sizes shall be: 6.3 mm (¼ in.), 25 mm (1 in.), 31.5 mm (1¼ in.), 40 mm (1½ in.), 50 mm (2 in.), and 63.0 mm (2½ in.). The permissible variation in size shall be ±2.0 mm (±1/16 in.).

10.2 *Length*—Length shall be measured from end to end. Standard lengths for Styles A and C line hose shall measure 915 mm (3 ft), 1372 mm (4.5 ft) or 1820 mm (6 ft), with a permissible variation of ±12.7 mm (± 0.5 in.). Standard overall lengths for Style B and D line hose shall be the same overall lengths as specified for straight type. The permissible variation in length for the connector-end shall be ±12.7 mm (±0.5 in.). In addition, lengths other than standard lengths may be obtained to meet field conditions.

10.3 *Thickness*—The wall thickness shall not be less than 3.2 mm (0.12 in.) for Class 0, 5.1 mm (0.20 in.) for Class 1, 5.6

mm (0.22 in.) for Class 2, 6.4 mm (0.25 in.) for Class 3, and 6.4 mm (0.25 in.) for Class 4.

## 11. Workmanship, Finish, and Appearance

11.1 The line hose shall be free from harmful physical irregularities, which can be detected by thorough test or inspection.

11.1.1 *Non-Harmful Irregularities*—Surface irregularities may be present on all rubber goods due to imperfections on forms, molds, or extruding dies, and inherent difficulties in the manufacturing process. These irregularities may appear as indentations, protuberances, or imbedded foreign material that are acceptable provided that:

11.1.1.1 The indentation or protuberance tends to blend into a smooth slope upon stretching of the material,

11.1.1.2 Foreign material remains in place when the hose is bent and stretches equally with the material surrounding it.

## 12. Guarantee

12.1 The manufacturer or supplier shall replace without charge to the purchaser, unused line hose which at any time within a period of nine months, from date of receipt of shipment by the purchaser or his designee, fails to pass the tests in this specification. Acceptance tests made by the purchaser or his designee shall be performed within two months of receipt by the purchaser or his designee unless otherwise specified. Tests shall be performed as shown in [Section 16](#).

NOTE 5—Proper storage means that the line hose are stored without distortion, and not stored directly above or in proximity to steam pipes, radiators, or other sources of artificial heat, or exposed to direct sunlight or other sources of ozone. It is desirable that the ambient storage temperature shall not exceed 35°C (95°F).

## 13. Sampling

13.1 Each line hose in a lot or shipment shall be subject to inspection and test to meet the requirements of [Sections 7, 9.1, 11, and 15](#).

13.2 An original sample on 1 % of the lot or shipment or not less than two lengths of hose, whichever is greater, shall be selected at random for the test requirements of [Section 9.2, 9.3, and 10](#). If a failure occurs in the first sample, a second sample of the same quantity shall be selected and tested.

13.3 An original sample of 0.1 % of the lot or shipment or not less than two lengths of line hose, whichever is greater, shall be selected at random from the lot or shipment for the test requirements of [8](#).

## 14. Rejection

14.1 Individual line hose shall be rejected if they fail to meet the manufacturing and marking requirements of [Section 7](#), the electrical requirements of [9.1](#), the minimum thickness requirements of [10.3](#), or the workmanship requirements of [Section 11](#).

14.2 Individual line hose may be rejected at the option of the purchaser if they fail to meet the requirements stipulated in [10.1, 10.2, or Section 15](#).

14.3 The entire lot or shipment of line hose shall be rejected under any of the following conditions:

**TABLE 4 Physical Requirements**

	Type I Hose	Type II Hose	Type III Hose
Tensile strength, min, Die C, MPa(psi)	11 (1600)	4.8 (700)	4.8 (700)
Elongation, min, %	350	500	350
Tension set (150 %), max, mm(in.)	6.4 (0.25)	6.4 (0.25)	2.5 (0.10)
Tear resistance, min, kN/m (lbf/in.)	17.5 (100)	13.1 (75)	13.1 (75)
Moisture absorption, max, %	1.5	3.0	1.0