



Designation: ~~F1967-10~~ Designation: F1967 - 11

Standard Consumer Safety Specification for Infant Bath Seats¹

This standard is issued under the fixed designation F1967; the number immediately following the designation indicates the year of original adoption or, in the case of revision, the year of last revision. A number in parentheses indicates the year of last reapproval. A superscript epsilon (ϵ) indicates an editorial change since the last revision or reapproval.

INTRODUCTION

This consumer safety specification is intended to address certain incidents associated with the use of bath seats, bath rings, and other similar devices.

The U.S. Consumer Product Safety Commission (CPSC) identified drowning incidents which generally involved infants either tipping over, climbing out of, or sliding through the product after being left unattended by their caregiver.

This specification does not address incidents in which bath seats are unreasonably misused, are used in a careless manner that disregards the warnings and instructions that are provided with each product, or those instances where the caregiver leaves the infant unattended in the product.

This consumer safety specification is written within the current state-of-the-art product technology. It is intended that this specification will be updated whenever substantive information becomes available and known to ASTM which necessitates additional requirements or justifies the revision of existing requirements.

1. Scope

1.1 This consumer safety specification establishes performance requirements, test methods, and labeling requirements to promote the safe use of infant bath seats. Products commonly referred to as bath rings also are included in the scope of this specification. Traditional infant bath tubs that are used to bathe an infant are not within the scope of this standard.

1.2 This consumer safety specification is intended to reduce the risk of death and minimize injury to infants resulting from use and reasonably foreseeable abuse of infant bath seats.

1.3 No infant bath seat produced after the approval date of this consumer safety specification shall, either by label or other means, indicate compliance with this specification unless it conforms to all requirements contained herein.

1.4 The values stated in inch-pound units are to be regarded as standard. The values given in parentheses are mathematical conversions to SI units that are provided for information only and are not considered standard.

1.5 The following precautionary caveat pertains only to the test methods portion, Section 7, of this consumer safety specification: *This standard does not purport to address all of the safety concerns, if any, associated with its use. It is the responsibility of the user of this standard to establish appropriate safety and health practices and determine the applicability of regulatory limitations prior to use.*

2. Referenced Documents

2.1 ASTM Standards:²

D3359 [Test Methods for Measuring Adhesion by Tape Test](#)

F404 [Consumer Safety Specification for High Chairs](#)

F963 [Consumer Safety Specification for Toy Safety](#)

F977 [Consumer Safety Specification for Infant Walkers](#)

2.2 Federal Regulations:³

¹ This consumer safety specification is under the jurisdiction of ASTM Committee F15 on Consumer Products and is the direct responsibility of Subcommittee F15.20 on Bath Seats.

~~Current edition approved March 15, 2010. Published April 2010. Originally approved in 1999. Last previous edition approved in 2008 as F1967-08a. DOI: 10.1520/F1967-10.~~

Current edition approved July 1, 2011. Published September 2011. Originally approved in 1999. Last previous edition approved in 2010 as F1967-10. DOI: 10.1520/F1967-11.

² For referenced ASTM standards, visit the ASTM website, www.astm.org, or contact ASTM Customer Service at service@astm.org. For *Annual Book of ASTM Standards* volume information, refer to the standard's Document Summary page on the ASTM website.

³ Available from U.S. Government Printing Office Superintendent of Documents, 732 N. Capitol St., NW, Mail Stop: SDE, Washington, DC 20401.

- 16 CFR 1303 Ban of Lead-Containing Paint and Certain Consumer Products Bearing Lead Containing Paint
- 16 CFR 1500 Federal Hazardous Substances Act Regulations, including sections:
- 16 CFR 1500.48 Technical Requirements for Determining a Sharp Point in Toys and Other Articles Intended for Use by Children Under 8 Years of Age
- 16 CFR 1500.49 Technical Requirements for Determining a Sharp Metal or Glass Edge in Toys and Other Articles Intended for Use by Children Under 8 Years of Age
- 16 CFR 1500.50 Test Methods for Simulating Use and Abuse of Toys and Other Articles Intended for Use by Children
- 16 CFR 1500.51 Test Methods for Simulating Use and Abuse of Toys and Other Articles Intended for Use by Children 18 Months of Age or Less
- 16 CFR 1501 Method for Identifying Toys and Other Articles Intended for Use by Children Under 3 Years of Age Which Present Choking, Aspiration, or Ingestion Hazards Because of Small Parts

3. Terminology

3.1 Definitions of Terms Specific to This Standard:

- 3.1.1 *bath seat, n*—bath seat, bath ring, or other similar product intended to be placed into a bath tub, sink, or similar bathing enclosure to provide support to a seated infant during bathing by an adult caregiver. The product is intended for use only with an infant who is capable of sitting upright unassisted.
- 3.1.2 *locking or latching mechanism, n*—method of preventing a bath seat from folding or collapsing during use.
- 3.1.3 *manufacturer's recommended use position(s), n*—any position that is presented as a normal, allowable, or acceptable configuration for the use of the product by the manufacturer in any descriptive or instructional literature. This specifically excludes positions which the manufacturer shows in a like manner in its literature to be unacceptable, unsafe or not recommended.
- 3.1.4 *nonpaper label, n*—any label material, such as plastic or metal, that either will not tear without the aid of tools or tears leaving a sharply defined edge or labels made of fabric.
- 3.1.5 *occupant, n*—that individual who is in an infant bath seat in one of the manufacturer's recommended use positions.
- 3.1.6 *paper label, n*—any label material that tears without the aid of tools and leaves a fibrous edge.
- 3.1.7 *principal display panel, n*—that part of the product's package that is most likely to be displayed, presented, shown or examined under normal or customary conditions of display for retail sale.
- 3.1.8 *stability, n*—ability of a bath seat to remain upright in all of the manufacturer's recommended use positions.
- 3.1.9 *static load, n*—vertically downward load applied by weights or other means.

4. Calibration and Standardization

- 4.1 Unless otherwise noted, the bath seat shall be completely assembled in accordance with the manufacturer's instructions.
- 4.2 The product to be tested shall be in a room with an ambient temperature of $73 \pm 9^{\circ}\text{F}$ ($23 \pm 5^{\circ}\text{C}$) for at least 1 h prior to testing. Testing then shall be conducted within this temperature range.
- 4.3 All testing required by this specification shall be conducted on the same unit.

5. General Requirements

- 5.1 There shall be no hazardous sharp points or edges as defined in 16 CFR 1500.48 and 16 CFR 1500.49 before or after the product has been tested to this consumer safety specification.
- 5.2 There shall be no small parts as defined in 16 CFR 1501 before testing or liberated as a result of testing to this specification.
- 5.3 All decorated surfaces of the product shall comply with the requirements of 16 CFR 1303.
- 5.4 *Latching, Locking, and Other Mechanisms:*
 - 5.4.1 Any unit that folds shall have a latching or locking device or other provision in the design that will prevent the unit from unintentionally folding when properly placed in the manufacturer's recommended use position(s).
 - 5.4.2 During and upon completion of the test in accordance with 7.1.1, the unit shall remain in the manufacturer's recommended use position, and the latching or locking mechanism shall remain engaged and operative after testing.
 - 5.4.3 For all single action locking/latching mechanisms, the mechanism shall not release with a minimum force of 10 lbf (45 N) when tested in accordance with 7.1.2.
 - 5.4.4 For all double action locking/latching mechanisms, there is no force requirement when tested in accordance with 7.1.2.
 - 5.4.5 Latching, locking, and other mechanisms that slide, turn, twist, are pushed or pulled, or can otherwise be adjusted during the installation or use of the product shall also comply with all requirements in 5.4 after cycling has been conducted in accordance with 7.1.3.
- 5.5 *Scissoring, Shearing, and Pinching*—The unit, when in the manufacturer's recommended use position(s), shall be designed and constructed to prevent injury to the occupant from any scissoring, shearing, or pinching when members or components rotate about a common axis or fastening point, slide, pivot, fold or otherwise move relative to one another. Scissoring, shearing, or pinching exists when the edges of the rigid parts admit a probe greater than 0.210 in. (5.33 mm) and less than 0.375 in. (9.53 mm) at any accessible point throughout the range of motion of such parts.
- 5.6 *Openings*—Holes or slots that extend entirely through a wall section of any rigid material less than 0.375-in. (9.53-mm) thick and admit a 0.210-in. (5.33-mm) diameter rod shall also admit a 0.375-in. (9.53-mm) diameter rod. Holes or slots that are

between 0.210 in. (5.33 mm) and 0.375 in. (9.53 mm) and have a wall thickness less than 0.375 in. (9.53 mm) but are limited in depth to 0.375 in. (9.53 mm) maximum by another rigid surface shall be permissible (see Fig. 1 for examples). The product shall be evaluated in all manufacturer’s recommended use positions.

5.7 *Protective Components*—If a child can grasp any components between the thumb and forefinger, or teeth, such as caps, sleeves, or plugs used for protection from sharp edges, points, or entrapment of fingers or toes, or if there is at least a 0.040-in. (1.00-mm) gap between the component and its adjacent parent component when the product is in its manufacturer’s recommended use position(s), such component shall not be removed when tested in accordance with 7.2.

5.8 *Requirements for Toys*—Toy accessories attached to, removable from, or sold with bath seats, as well as their means of attachment, must meet applicable requirements of Consumer Safety Specification F963.

5.9 *Labeling:*

5.9.1 Warning labels, whether paper or nonpaper, shall be permanent when tested in accordance with 7.3.1-7.3.4.

5.9.2 Warning statements applied directly onto the surface of the product by hot stamping, heat transfer, printing, wood burning, etc. shall be permanent when tested in accordance with 7.3.1 and 7.3.5.

5.9.3 Nonpaper labels shall not liberate small parts when tested in accordance with 7.3.6.

6. Performance Requirements

6.1 *Stability*—For bath seats which provide support for an occupant’s back and support for the sides or front of the occupant, or both, the geometry and construction of the product shall not allow for any parts of the product to become separated from it, shall

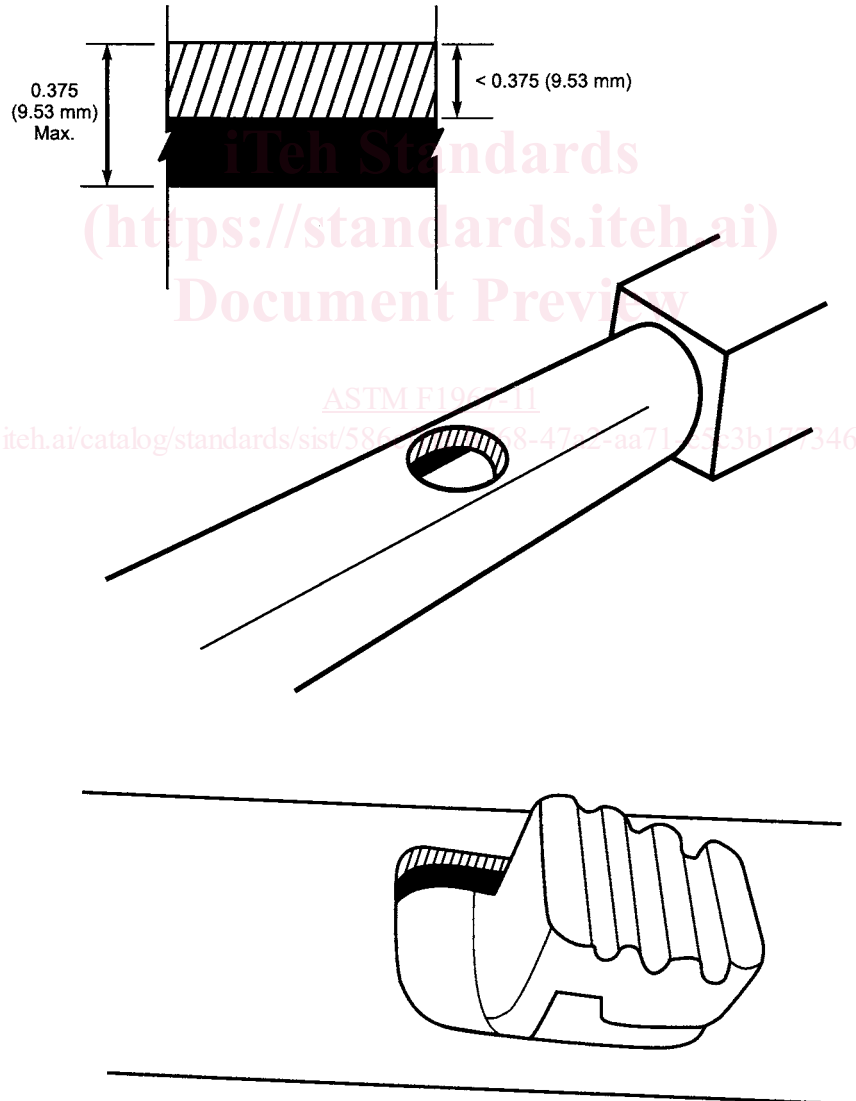


FIG. 1 Opening Examples

not sustain permanent damage, and shall not allow the product to tip over after being tested in accordance with 7.4. In addition, if any attachment point disengages from (is no longer in contact with) the test platform and then fails to return to its manufacturer's intended use position after being tested in accordance with 7.4, it fails the requirement. This test shall be conducted after the Mechanisms Durability test in 7.1.3.

NOTE 1—If the bath seat would continue to tip over under the application of force, but it is prevented from doing so by the test platform (bath tub) side walls, it shall be considered a tip over.

6.2 *Restraint System:*

6.2.1 Bath seats, when in the manufacturer's recommended use position(s), which provide support for an occupant's back and support for the sides or front, or both, of the occupant's torso must provide a passive crotch restraint and comply with 6.2.1.1. The bath seat shall not include any additional restraint system which requires action on the part of the caregiver to secure the restraint.

6.2.1.1 A passive crotch restraint shall be assembled as part of the bath seat before shipment from the manufacturer or shall be designed such that the bath seat cannot be used without the passive crotch restraint in place. The passive crotch restraint shall be permanently attached to the bath seat.

6.2.2 Bath seats, when in the manufacturer's recommended use position(s), which provide support for an occupant's back only and do not provide support for the sides and/or front of the occupant's torso must comply with 6.2.2.1.

6.2.2.1 These bath seats are not required to have a restraint; however, if one is provided, it must be either a passive crotch restraint which complies with 6.2.1 or both a waist and crotch restraint in which the crotch restraint shall be designed such that its use is mandatory when the restraint system is in use.

6.3 *Static Load*—The product shall not break, become permanently deformed or damaged, or fail to comply with any of the other requirements of this specification when tested in accordance with 7.5.

6.4 *Specific Requirements for Suction Cups*—Bath seats that utilize individual suction cups as a method of attachment to the bathing surface shall comply with the following requirements:

6.4.1 Each suction cup shall remain attached to the bath seat and shall not become damaged or broken after testing in accordance with 7.6.1.

6.4.2 The bath seat shall remain attached to the test surface and shall not become damaged or broken after testing in accordance with 7.6.2.

6.5 *Leg Openings*

6.5.1 All openings on the sides of the product through which a seated occupant can slide or otherwise insert any extremity shall not permit the passage of the Bath Seat Torso Test Probe when tested in accordance with 7.7.1.

6.5.2 When these same openings are tested in accordance with 7.7.2, the 1.0-in. (25-mm) perimeter of the Bath Seat Shoulder Test Probe at the shoulder breadth end shall not be permitted to contact the seating surface of the product.

7. Test Methods

7.1 *Latching and Locking Mechanism:*

7.1.1 *Resistance to Folding:*

7.1.1.1 Erect the bath seat in one of the manufacturer's recommended use position(s) on the test surface specified in 7.4.3. Secure the product so that the normal folding motion is not impeded.

7.1.1.2 Apply a force of 45 lbf (200 N) in the direction normally associated with folding the bath seat.

7.1.1.3 Repeat this procedure four more times within a 2-min period.

7.1.1.4 Submerge the product in enough clear water to fully cover the latching/locking mechanism. Water shall be at an initial temperature of 100 to 105°F (37.8 to 40.6°C).

7.1.1.5 Repeat the testing prescribed above in 7.1.1.1-7.1.1.3.

7.1.1.6 Repeat the testing in both the dry and the submerged conditions for each additional manufacturer's recommended use position.

7.1.2 *Release Mechanism Activation :*

7.1.2.1 *Products With Single Action Release Mechanism*—With the product in each manufacturer's recommended use position, gradually apply a 10-lbf (45-N) force to the locking or latching mechanism in the direction tending to release it.

7.1.2.2 *Products With Double Action Release Mechanism*—Each double action locking/latching mechanism shall require two distinct and separate actions for release of the mechanism.

7.1.3 *Mechanisms Durability*—Latching, locking, and other mechanisms that slide, turn, twist, are pushed or pulled, or can otherwise be adjusted during the installation or use of the product shall be cycled independently through their normal full range motion a total of 2000 cycles. Cycling shall be conducted at a rate of 12 cycles per minute.

7.2 *Protective Components:*

7.2.1 If the torque and tension tests are to be conducted on the product, first completely submerge the testable components for 20 min in clear water that is at an initial temperature of 100 to 105°F (37.8 to 40.6°C). Conduct the torque and tension tests within 10 min after removal from the water.

7.2.2 *Torque Test for Graspable Components:*

7.2.2.1 Using any convenient method to hold the parent component in place, grasp the component to be tested and apply a

torque evenly over a period of 5 s in a clockwise direction until either a rotation of 180° is attained or a torque value of 4 lbf-in. (0.4 N-m) has been reached.

7.2.2.2 Maintain the torque value or the 180° rotation for an additional 10 s and then allow the component to return to its original position.

7.2.2.3 Repeat this test using a torque in the counter-clockwise direction.

7.2.3 *Tension Test for Graspable Components*—The same component which has undergone the torque test also shall undergo the following tension test immediately following the torque test:

7.2.3.1 Using any convenient method to hold the parent component in place, grasp the component to be tested and apply a tension force of 15 lbf (67 N) evenly over a period of 5 s in the direction normally associated with the removal of the component. The device used to grasp the component should not compress or expand the component being tested so that it hinders any possible removal.

7.2.3.2 Maintain this force for an additional 10 s.

7.3 *Permanence of Labels and Warnings:*

7.3.1 To determine the permanence of a label or printing applied to the surface of the product, first completely submerge the label or printed area for 20 min in clear water that is at an initial temperature of 100 to 105°F (37.8 to 40.6°C). Drain off the excess water and let the label or printed area air dry for 24 h at 73 ± 9°F (23 ± 5°C), 50 % RH, prior to conducting any permanency tests.

7.3.2 A paper label (excluding labels attached by a seam) shall be considered permanent if, during an attempt to remove it without the aid of tools or solvents, it cannot be removed, it tears into pieces upon removal or such action damages the surface to which it is attached.

7.3.3 A nonpaper label (excluding labels attached by a seam) shall be considered permanent if, during an attempt to remove it without the aid of tools or solvents, it cannot be removed or such action damages the surface to which it is attached.

7.3.4 A warning label attached by a seam shall be considered permanent if it does not detach when subjected to a 15-lbf (67-N) pull force applied in any direction using a 3/4-in. diameter clamp surface.

7.3.5 Adhesion test for warnings applied directly onto the surface of the product.

7.3.5.1 Apply the tape test defined in Test Method B, Cross-Cut Tape Test of Test Methods D3359, eliminating parallel cuts.

7.3.5.2 Perform this test once in each different location where warnings are applied.

7.3.5.3 The warning statements will be considered permanent if the printing in the area tested is still legible and attached after being subjected to this test.

7.3.6 A nonpaper label, during an attempt to remove it without the aid of tools or solvents, shall not be removed or shall not fit entirely within the small parts cylinder defined in 16 CFR 1501 if it can be removed.

7.4 *Stability:*

7.4.1 *Surface Preparation and Product Installation:* STM F1967-11

7.4.1.1 Install the product according to the manufacturer's instructions onto the test platform specified in 7.4.3.

7.4.1.2 Immediately prior to installing the product on the test platform, the test surface shall be prepared as follows:

7.4.1.3 For all surfaces on the test platform where the product makes contact, clean the coverage area (as defined in 7.4.3.3) with a commercial cleaner intended for bath tubs, then wipe the coverage area with alcohol and allow to dry.

7.4.1.4 Using a spray bottle containing a 1:25 mixture of test solution (see Table 1) to distilled water, thoroughly saturate the coverage area. The test solution is a representative formulation of a baby wash/shampoo.

7.4.1.5 Flood the test platform with clear water that is at an initial temperature of 100 to 105 °F (37.8 to 40.6 °C) to a depth of 2 in. (51 mm) above the highest point of the occupant seating surface. If the product is intended to hold water, and the manufacturer warns against its use in a filled bathtub, then only the inside of the test product shall be filled with water 2 in. (51 mm) above the highest point of the occupant seating surface.

7.4.2 *Test Protocol:*

7.4.2.1 Securely attach a 1 by 1/4-in. (25 by 6-mm) rigid aluminum flat bar to the inside edge of the occupant seating space in a vertical orientation at the position that is most likely to cause the bath seat to tip over. The length of the flat bar must be such that it extends beyond the uppermost edge or surface of the bath seat at least as far as the maximum distance *D* (calculated in Eq 1).

7.4.2.2 Calculate the distance *D* for a tipover force to be applied to the aluminum bar using the following formula:

$$D = (20.4 \text{ in.} - H)/2 [(518 \text{ mm} - H)/2] \quad (1)$$

F1967-11_1

where:

H = the height of the uppermost edge or surface above the lowest point of the occupant seating surface.

7.4.2.3 Apply a force of 17.0 lbf (76.5 N) to the aluminum bar at this distance *D* above the height *H*. Apply the force in a horizontal plane and outward from the center of the bath seat over a period of 5 s (see Fig. 2). Maintain this force for an additional 10 s. If the bath seat begins to release from the test surface, continue to maintain this force and its orientation relative to the aluminum bar until the bath seat tips over or the 10 s time limit is attained.

TABLE 1 Representative Baby Wash^A

NOTE—Instructions:
 Mix Polyquaternium-10 with 40 % of the water to hydrate.
 Mix surfactants and the rest of the water until uniform, then add polymer solution.
 Add preservative and fragrance mixture. Mix well.
 Adjust final pH (6 to 7) with citric acid.
 Viscosity range: 6000 to 10 000 cPs.

Ingredients	% Weight	Function
Cocamidopropyl Betaine (30 % active)	14.0	Surfactant
PEG-80 Sorbitan Laurate (74 % active)	5.0	Anti-irritant
Sodium Laureth Sulfate (70 % active)	4.3	Surfactant
Glycerine	0.5	Humectant
Polyquaternium-10	0.2	Conditioner
PEG-150 Distearate	0.3	Thickener
Tetrasodium EDTA (40 %)	0.2	Chelant added for clarity
Dye/Fragrance	As desired	Not added
DMDMH	0.2	Preservative
Water	75.3	

^A This baby wash (Lot #00536-133, made Aug. 16, 2005) can be obtained from Cognis Care Chemicals, 300 Brookside Ave., Ambler, PA 19002. Alternatively, the baby wash solution may be generated following the instructions and using the ingredients in their respective percentages shown in this table.

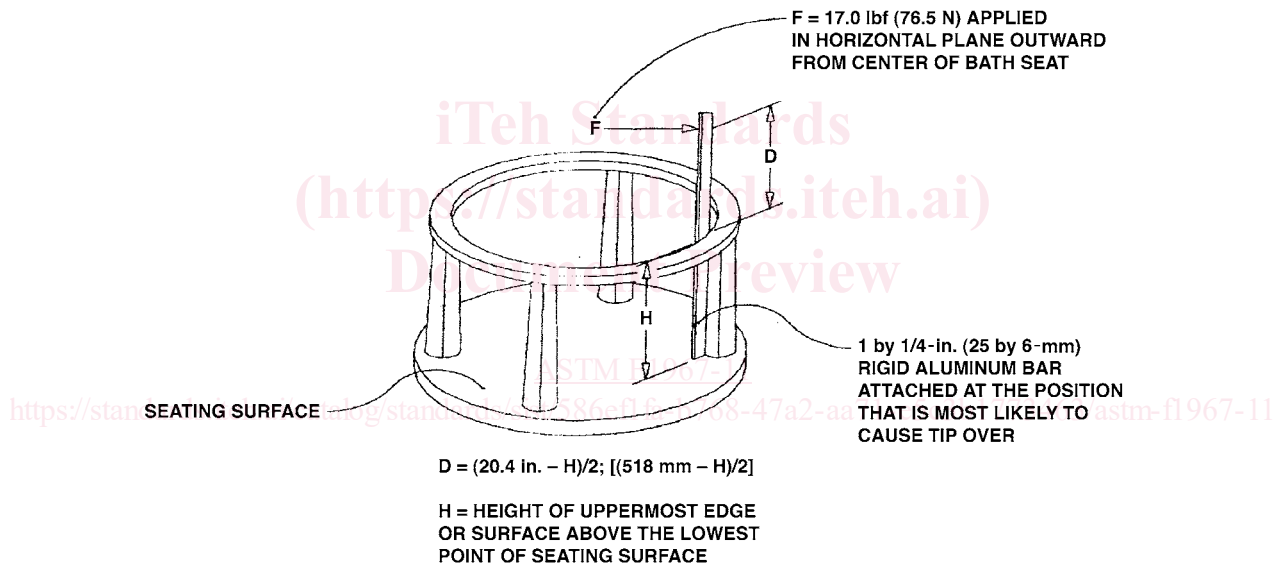


FIG. 2 Diagram of Force Application

NOTE 2—If necessary, to prevent the bath seat from sliding horizontally on the test surface during this test protocol, the bottom edge of the bath seat may be blocked or wedged to prevent such sliding. However, such blocking should in no way interfere with or influence the results of this test protocol to either increase or decrease the tip over force.

7.4.2.4 Repeat this test protocol, including the re-calculation of the distance *D*, three additional times at increments of 90° around the perimeter of the bath seat enclosure area.

7.4.2.5 Repeat this test protocol with the product in each of the manufacturer’s recommended use position(s) as a bath seat and for both test surfaces as described in 7.4.3.1 and 7.4.3.2.

7.4.3 The test platform (see Fig. 3) shall consist of a standard recessed smooth-porcelain enameled metal bath tub of the following nominal dimensions: 60 by 34 by 14 in. (152.4 by 86.4 by 35.6 cm). The bathing well shall have the following nominal dimensions: 56 by 25 by 13¼ in. (142.2 by 63.5 by 33.7 cm). The side ledge of the tube shall be of a uniform thickness of 4 ± 0.25 in. (10.2 ± 0.64 cm) for at least 24 in. (60.0 cm) along the length of the tub when measured as shown in Fig. 3. The inside angle of the side ledge of the tub shall be 82° (±3°) when measured from vertical for at least 24 in. (60.0 cm) along the length