

ISO/FDIS 15027-3:2023(E)

ISO/TC 188/SC 1

Secretariat: AFNOR

Third edition

Date: 2024-04-12 07:09

Immersion suits —

**Part 3:
Test methods**

Combinaisons de protection thermique en cas d'immersion —

Partie 3: Méthodes d'essai

iTeh Standards
(<https://standards.iteh.ai>)
Document Preview

[ISO/FDIS 15027-3](#)

<https://standards.iteh.ai/catalog/standards/iso/9e85b8ea-ab7b-4519-96a4-57b3753b50a6/iso-fdis-15027-3>

FDIS stage

ISO/FDIS 15027-3:2024(en)

© ISO 2024

All rights reserved. Unless otherwise specified, or required in the context of its implementation, no part of this publication may be reproduced or utilized otherwise in any form or by any means, electronic or mechanical, including photocopying, or posting on the internet or an intranet, without prior written permission. Permission can be requested from either ISO at the address below or ISO's member body in the country of the requester.

ISO copyright office
CP 401 • Ch. de Blandonnet 8
CH-1214 Vernier, Geneva
Phone: + 41 22 749 01 11
E-mail: copyright@iso.org
Website: www.iso.org

Published in Switzerland

iTeh Standards
(<https://standards.iteh.ai>)
Document Preview

[ISO/FDIS 15027-3](#)

<https://standards.iteh.ai/catalog/standards/iso/9e85b8ea-ab7b-4519-96a4-57b3753b50a6/iso-fdis-15027-3>

Contents

Foreword..... vi

1 Scope..... 1

2 Normative references 1

3 Terms and definitions..... 2

4 Test methods..... 2

4.1 General..... 2

4.2 Sampling..... 3

4.3 Temperature cycling test 3

4.3.1 General..... 3

4.3.2 Procedure 3

4.4 Rotating shock bin test 3

4.4.1 General..... 3

4.4.2 Apparatus..... 3

4.4.3 Procedure 4

4.4.4 Evaluation 4

4.5 Tensile strength of seams 5

4.6 Fuel resistance test 5

4.7 Buoyancy test..... 5

4.7.1 Principle 5

4.7.2 Apparatus..... 6

4.7.3 Procedure 6

4.7.4 Results..... 6

4.8 Suit strength test..... 6

4.8.1 Principle 6

4.8.2 Apparatus..... 6

4.8.3 Procedure 7

4.8.4 Results..... 8

4.9 Lifting loop test 8

4.9.1 Procedure 8

4.10 Results..... 9

4.11 Flammability test..... 9

4.11.1 Principle 9

4.11.2 Apparatus..... 9

4.11.3 Sampling..... 9

4.11.4 Procedure 9

4.11.5 Evaluation 10

4.12 Cleaning 11

4.13 Human test subjects 11

4.13.1 Instruction and selection 11

4.13.2 Number and sizes of human test subjects 11

4.13.3 Gender of human test subjects 12

4.13.4 Fitness of human test subjects 12

4.13.5 Dress of human test subjects 13

4.13.6 Pass/fail criteria 13

4.14 Water ingress measurement 13

4.14.1 Water ingress measurement for jumping..... 13

4.14.2 Water ingress measurement for swimming 14

4.15 Thermal test..... 14

4.15.1 General..... 14

4.15.2 Using a thermal manikin..... 14

ISO/FDIS 15027-3:2024(en)

4.15.3 Using human test subjects	17
4.16 Ergonomic performance testing	20
4.16.1 General.....	20
4.16.2 Donning	20
4.16.3 Walking.....	21
4.16.4 Climbing.....	22
4.16.5 Dexterity and mobility.....	22
4.17 In-water performance and field of vision tests.....	23
4.17.1 Jump test	23
4.17.2 Secondary donning	23
4.17.3 Turning test.....	23
4.17.4 Conspicuity	24
4.17.5 Field of vision.....	24
4.17.6 Swim and boarding test.....	24
4.18 Helicopter transit suits.....	25
4.18.1 Helicopter escape	25
4.18.2 Buoyancy measurement.....	25
Annex A (informative) Test results — Uncertainty of measurement.....	26
Annex B (normative) Test protocol and checklist for manikin testing.....	27
B.1 Test protocol for the laboratory thermal manikin	27
B.1.1 Pre-test preparation.....	27
B.1.2 Dressing.....	27
B.1.3 Positioning and venting.....	27
B.1.4 Water tank.....	28
B.1.5 Air temperature sensor(s).....	28
B.1.6 Water temperature sensor(s)	28
B.1.7 Method of stirring water	29
B.1.8 Conducting the test	29
B.1.9 Post-test.....	30
B.2 Checklist for test protocol for the laboratory thermal manikin.....	31
B.2.1 Pre-test preparation.....	31
B.2.2 Dressing.....	31
B.2.3 Positioning and venting.....	32
B.2.4 Water tank.....	33
B.2.5 Air temperature sensor(s).....	33
B.2.6 Water temperature sensor(s)	33
B.2.7 Method of stirring water	34
B.2.8 Conduct test.....	34
B.2.9 Additional information.....	35
B.2.10 Post-test.....	35
Annex C (normative) Thermal manikin — Means of circulated water	37
C.1 Principle	37
C.2 Standard apparatus and operation.....	37
C.3 Alternative systems	37
Annex D (normative) Correlation of thermal manikin systems.....	38
D.1 General.....	38
D.2 Thermal manikin.....	38
D.3 Alternate reference manikins	38
D.4 Standard underclothing	38
D.5 Operating conditions.....	39
D.6 Thermal insulations of the set of immersion suit systems used for manikin correlation.....	39
Annex E (informative) Thermal insulation identification for suit material — Test methods.....	39

ISO/FDIS 15027-3:2024(en)

E.1	General.....	40
E.2	Test methods.....	40
E.2.1	General.....	40
E.2.2	Goodwin thermal insulation test.....	41
E.2.3	Lund University sock method.....	44
Annex F (informative)	Medical fitness assessment for human thermal testing in cold water	49
Bibliography	50

iTeh Standards
(<https://standards.itih.ai>)
Document Preview

[ISO/FDIS 15027-3](https://standards.itih.ai/catalog/standards/iso/9e85b8ea-ab7b-4519-96a4-57b3753b50a6/iso-fdis-15027-3)

<https://standards.itih.ai/catalog/standards/iso/9e85b8ea-ab7b-4519-96a4-57b3753b50a6/iso-fdis-15027-3>

ISO/FDIS 15027-3:2024(en)

Foreword

ISO (the International Organization for Standardization) is a worldwide federation of national standards bodies (ISO member bodies). The work of preparing International Standards is normally carried out through ISO technical committees. Each member body interested in a subject for which a technical committee has been established has the right to be represented on that committee. International organizations, governmental and non-governmental, in liaison with ISO, also take part in the work. ISO collaborates closely with the International Electrotechnical Commission (IEC) on all matters of electrotechnical standardization.

The procedures used to develop this document and those intended for its further maintenance are described in the ISO/IEC Directives, Part 1. In particular, the different approval criteria needed for the different types of ISO document should be noted. This document was drafted in accordance with the editorial rules of the ISO/IEC Directives, Part 2 (see www.iso.org/directives).

ISO draws attention to the possibility that the implementation of this document may involve the use of (a) patent(s). ISO takes no position concerning the evidence, validity or applicability of any claimed patent rights in respect thereof. As of the date of publication of this document, ISO had not received notice of (a) patent(s) which may be required to implement this document. However, implementers are cautioned that this may not represent the latest information, which may be obtained from the patent database available at www.iso.org/patents. ISO shall not be held responsible for identifying any or all such patent rights.

Any trade name used in this document is information given for the convenience of users and does not constitute an endorsement.

For an explanation of the voluntary nature of standards, the meaning of ISO specific terms and expressions related to conformity assessment, as well as information about ISO's adherence to the World Trade Organization (WTO) principles in the Technical Barriers to Trade (TBT), see www.iso.org/iso/foreword.html.

This document was prepared by ~~the~~ Technical Committee ISO/TC 188, *Small craft*, Subcommittee SC 1, *Personal safety equipment*, in collaboration with the European Committee for Standardization (CEN) Technical Committee CEN/TC 162, *Protective clothing including hand and arm protection and lifejackets*, in accordance with the Agreement on technical cooperation between ISO and CEN (Vienna Agreement).

This third edition cancels and replaces the second edition (ISO 15027-3:2012), which has been technically revised.

~~Terms~~ The main changes are as follows:

- ~~the terms~~ and definitions have been ~~added~~ revised;
- in [Clause 4](#), the order of testing has been changed and clarified;
- in [4.3](#) ~~Subclause 4.3~~, a temperature and cycling test procedure for suits stored in sealed storage bags has been added;
- in [4.5](#) ~~Subclause 4.5~~, a test for tensile strength of seams has been added;
- in [4.7](#) ~~Subclause 4.7~~, a buoyancy test has been added;
- in [4.8](#) ~~Subclause 4.8~~, a suit strength test has been added;
- in [4.9](#) ~~Subclause 4.9~~, a lifting loop test has been added;
- in ~~Subclause~~ 4.12.2, the number and sizes of human test subjects have been revised;

ISO/FDIS 15027-3:2024(en)

- in [4.14.2](#) ~~Subclause 4.14.1~~, the use of a thermal manikin has been revised;
- [Annex B](#) “Test protocol and checklist for manikin testing” has been added;
- [Annex C](#) “Thermal manikin — Means of circulated water” has been added;
- [Annex D](#) “Correlation of thermal manikin systems” has been added;
- [Annex E](#) “Thermal insulation identification for suit material — Test methods” has been added;
- [Annex F](#) “Medical fitness assessment for human thermal testing in cold water” has been added.

A list of all parts in the ISO 15027 series can be found on the ISO website.

Any feedback or questions on this document should be directed to the user’s national standards body. A complete listing of these bodies can be found at www.iso.org/members.html.

iTeh Standards (<https://standards.iteh.ai>) Document Preview

[ISO/FDIS 15027-3](#)

<https://standards.iteh.ai/catalog/standards/iso/9e85b8ea-ab7b-4519-96a4-57b3753b50a6/iso-fdis-15027-3>

Immersion suits —

Part 3: Test methods

1 Scope

This document specifies the test methods for constant wear suits and abandonment suits.

Requirements for constant wear suits are given in ISO 15027-1:2024. ~~Requirements for abandonment suits are given in ISO 15027-2:2024:—.~~

~~Requirements for abandonment suits are given in ISO 15027-2:—.~~

2 Normative references

The following documents are referred to in the text in such a way that some or all of their content constitutes requirements of this document. For dated references, only the edition cited applies. For undated references, the latest edition of the referenced document (including any amendments) applies.

~~EN 590:2022, Automotive fuels — Diesel — Requirements and test methods~~

~~EN 14225-1:2017, Diving suits — Part 1: Wet suits — Requirements and test methods~~

~~ISO 81188:20182023, Textile fabrics Textiles — Determination of resistance to water penetration — Hydrostatic pressure test~~

~~ISO 12401:2009, Small craft — Deck safety harness and safety line — Safety requirements and test methods~~

~~ISO 12402-2:2020, Personal flotation devices — Part 2: Lifejackets, performance level 275 — Safety requirements~~

~~ISO 12402-3:2020, Personal flotation devices — Part 3: Lifejackets, performance level 150 — Safety requirements~~

~~ISO 12402-4:2020, Personal flotation devices — Part 4: Lifejackets, performance level 100 — Safety requirements~~

~~ISO 12402-5:2020, Personal flotation devices — Part 5: Buoyancy aids (level 50) — Safety requirements~~

~~ISO 12402-6:2020, Personal flotation devices — Part 6: Special purpose lifejackets and buoyancy aids — Safety requirements and additional test methods~~

~~ISO 12402-7:2020, Personal flotation devices — Part 7: Materials and components — Safety requirements and test methods~~

~~ISO 12402-8:2020, Personal flotation devices — Part 8: Accessories — Safety requirements and test methods~~

~~ISO 12402-9:2020, Personal flotation devices — Part 9: Test methodsEvaluation~~

~~ISO 2768-1:1989, General tolerances — Part 1: Tolerances for linear and angular dimensions without individual tolerance indications~~

ISO/FDIS 15027-3:2024(en)

ISO 12894:2001, *Ergonomics of the thermal environment — Medical supervision of individuals exposed to extreme hot or cold environments*

ISO 13935-2:2014, *Textiles — Seam tensile properties of fabrics and made-up textile articles — Part 2: Determination of maximum force to seam rupture using the grab method*

ISO 15027-1:20xx;—¹⁾, *Immersion suits — Part 1: ~~Constant wear suits~~, Safety and performance requirements ~~including safety for constant wear suits~~*

ISO 15027-2:20xx;—²⁾, *Immersion suits — Part 2: ~~Abandonment suits~~, Safety and performance requirements ~~including safety for abandonment suits~~*

ISO 15831:2004, *Clothing — Physiological effects — Measurement of thermal insulation by means of a thermal manikin*

EN 590:2022, Automotive fuels — Diesel — Requirements and test methods

3 Terms and definitions

For the purposes of this document, the terms and definitions given in ISO 15027-1 ~~or~~;—, ISO 15027-2;— and the following apply.

ISO and IEC maintain terminology databases for use in standardization at the following addresses:

— ISO Online browsing platform: available at <https://www.iso.org/obp>

— IEC Electropedia: available at <https://www.electropedia.org/>

3.1

test panel

group of persons experienced in testing immersion suits who observe the test subject undergoing the tests

3.2

thermal manikin system

equipment for measuring thermal insulation of immersion suit systems, including a human-shaped, instrumented (temperature sensors and heaters) manikin and a control system with a computer interface

4 Test methods

4.1 General

Requirements, for which no special test methods are given in this document, shall be tested in one of the following ways:

- a) by tests referred to in ISO 15027-1;— and ISO 15027-2;—; or
- b) by measurement; or
- c) by visual assessment; or

¹⁾ Under preparation. This document, ISO 15027-1 and ISO 15027-2 are being developed together and will be published together. The date will be added just before publication.

²⁾ Under preparation. This document, ISO 15027-1 and ISO 15027-2 are being developed together and will be published together. The date will be added just before publication.

ISO/FDIS 15027-3:2024(en)

d) by functional test.

Prior to testing, materials and components shall be conditioned for $(24 \pm 0,1)$ h under standard atmosphere. The temperature cycling test and the rotating shock bin test shall be carried out as ~~pre-conditioning~~preconditioning before any other tests are carried out.

[Annex A](#) provides further information on uncertainty of measurement.

4.2 Sampling

Where materials and components are common to a range of suits, it is permitted to test just one sample of each material or component, unless specified otherwise by the relevant test procedure.

Samples for testing shall be taken from the original garment or from material or materials used in the finished garment.

When the number of samples to be tested is "at least [x]" or "a minimum of [x]" that number of [x] samples ~~have to~~shall be tested.

4.3 Temperature cycling test

4.3.1 General

The temperature cycling test shall be carried out as a preconditioning before all other tests.

4.3.2 Procedure

The suit, along with any attachments, shall be subjected to the following exposures with the suit packed in accordance with the manufacturer's instructions.

~~If the suit is to be~~For suits supplied in a sealed storage bag, such as hermetically sealed or vacuum packed, the suit samples shall be exposed to this test in this condition, including the storage method.

The suit shall be subjected to 10 alternating cycles of 8 h continuous exposures to temperatures of (65 ± 2) °C and (-30 ± 2) °C. These alternating temperatures need not follow immediately after each other. On completion of the temperature cycling test, the suit shall be visually inspected for signs of degradation to the materials or construction or to any attachments.

4.4 Rotating shock bin test

4.4.1 General

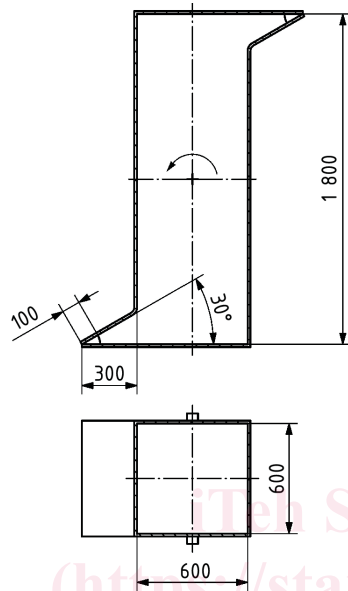
The rotating shock bin test shall be carried out as a preconditioning after the temperature cycling test in [4.3](#) but before all other tests.

4.4.2 Apparatus

The equipment used shall be as shown in [Figure 1](#), ~~consisting of a box~~.

4.4.2.1 Box, of specific design made from plywood board or equivalent, the inside surface of which shall be coated with hard plastic laminate or similar. The bearing of the bin shall be in the centre of the mass and shall permit the bin to be rotated freely.

Dimensions in millimetres



NOTE In this figure, dimensions are identical once rotated 180° on its central axis.

Figure 1 — Design of rotation shock bin apparatus

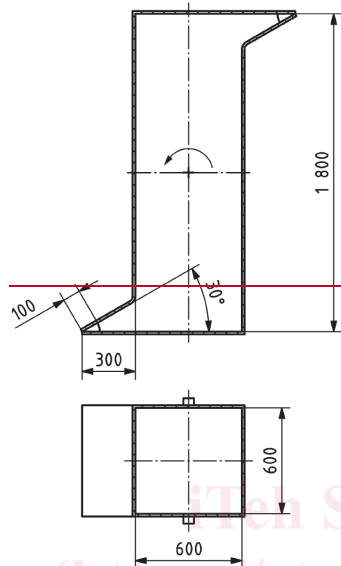
4.4.3 Procedure

The suit shall be placed in the bin through a flush panel in one of its faces, which shall then be closed and secured. The bin shall then be rotated for a total of 150 revolutions at a steady rate of 6 min⁻¹.

4.4.4 Evaluation

On completion of the revolutions, the suit shall be removed from the shock bin and examined for signs of wear and tear, and for any signs that the thermal insulation material has migrated.

Dimensions in millimetres



NOTE — In this figure, dimensions are identical once rotated 180° on its central axis.

Figure 1 — Design of rotation shock bin apparatus

4.94.5 Tensile strength of seams

The tensile strength of seams shall be measured on separate samples using the grab method given in ISO 13935-2:2014, using specimens of at least 60 mm width and with at least 100 mm of material on each side of the test point, with four similar seams for each type of seam including the seam between fastening devices, including zip fasteners, and fabric.

4.104.6 Fuel resistance test

Three samples of all exterior fabrics, typical seams, apertures and components shall be placed in a suitable container and ~~submerge them~~ submerged under a 100 mm head of diesel ~~according to in accordance with EN 590:2022~~ at a temperature of (20 ± 2) °C for 24 h. After removal from the container, remove the surface diesel by wiping. Subject the samples to a hydrostatic test ~~according to in accordance with ISO 844188:2022~~ with a speed of 10 cm/min until 1 000 mm water head and then carry out a tensile seam strength test according to 4.5.

4.114.7 Buoyancy test

4.11.14.7.1 Principle

The buoyancy of a suit that is designed to be used without a ~~personal flotation device (PFD)~~ shall be measured using Archimedes' principle of weighing the submerged device in water, as specified ~~in 4.7.3 below.~~

Any inflatable chambers required to meet ISO 15027-2:20xx:—, 4.11.8, shall be inflated.

ISO/FDIS 15027-3:2024(en)

The buoyancy loss of the suit shall be measured and recorded after entrapped air has been removed and 24 h after the initial buoyancy has been measured.

4.11.24.7.2 Apparatus

~~The standard equipment required consists of:~~

~~a weighted~~**4.7.2.1 Weighted** cage, ~~whose~~~~with~~ a submerged weight ~~is~~ greater than 1,1 times its expected buoyancy value, ~~and,~~

~~a tank~~**4.7.2.2 Tank**, of fresh water, deep enough to accommodate the device horizontally with its upper surface at a depth of 100 mm to 150 mm below the water surface without contacting the sides of the tank or the bottom and supported by a calibrated load cell or balance.

4.11.3 Procedure

4.7.3 Procedure

The suit shall be enclosed in ~~the~~ weighted cage [\(4.7.2.1\)](#).

The cage shall be suspended from the load cell in fresh water at a temperature of (20 ± 5) °C so that the upper surface of the horizontally positioned suit is submerged at 100 mm to 150 mm below the surface. The combined immersed weight shall be recorded as A.

The assembly shall remain immersed for $(24,0 + 0,5 - 0)$ h, after which time the combined immersed weight shall again be recorded as B.

The suit shall finally be removed from the cage. The weighted cage [\(4.7.2.1\)](#) shall again be immersed and the result again recorded as C.

The water temperature, air temperature, and atmospheric pressure shall be recorded at the start of each test and then after completion of each test.

4.11.44.7.4 Results

The buoyancy values shall be corrected to a water temperature of 20 °C and an atmospheric pressure of 101,325 kPa.

The initial buoyancy is obtained by subtracting A from C. The final buoyancy is obtained by subtracting B from C. The buoyancy lost during immersion is obtained by subtracting the final buoyancy from the initial buoyancy.

4.124.8 Suit strength test

4.12.14.8.1 Principle

The suit shall be subject to tension via its integral structure, such as waist belt or harness arrangement, by means of a specified load.

4.12.24.8.2 Apparatus

~~The apparatus consists of a horizontally~~**4.8.2.1 Horizontally suspended upper cylinder**, of diameter (50 ± 5) mm for child suits, or of diameter (125 ± 10) mm for adult suits. The length of the test cylinder shall be sufficient to accommodate the full width of the portion of the suit under test, as shown in [Figure 2](#).