

---

---

**Cotton bales —**

**Part 1:  
Dimensions and density**

*Balles de coton —*

*Partie 1: Dimensions et masse volumique*

iTeh STANDARD PREVIEW  
(standards.iteh.ai)

ISO 8115-1:2022

<https://standards.iteh.ai/catalog/standards/sist/e1b54eb2-b6da-4416-8e5a-a4fbc718cb6c/iso-8115-1-2022>



iTeh STANDARD PREVIEW  
(standards.iteh.ai)

[ISO 8115-1:2022](https://standards.iteh.ai/catalog/standards/sist/e1b54eb2-b6da-4416-8e5a-a4fbc718cb6c/iso-8115-1-2022)

<https://standards.iteh.ai/catalog/standards/sist/e1b54eb2-b6da-4416-8e5a-a4fbc718cb6c/iso-8115-1-2022>



**COPYRIGHT PROTECTED DOCUMENT**

© ISO 2022

All rights reserved. Unless otherwise specified, or required in the context of its implementation, no part of this publication may be reproduced or utilized otherwise in any form or by any means, electronic or mechanical, including photocopying, or posting on the internet or an intranet, without prior written permission. Permission can be requested from either ISO at the address below or ISO's member body in the country of the requester.

ISO copyright office  
CP 401 • Ch. de Blandonnet 8  
CH-1214 Vernier, Geneva  
Phone: +41 22 749 01 11  
Email: [copyright@iso.org](mailto:copyright@iso.org)  
Website: [www.iso.org](http://www.iso.org)

Published in Switzerland

# Contents

	Page
Foreword.....	iv
Introduction.....	v
1 Scope.....	1
2 Normative references.....	1
3 Terms and definitions.....	1
4 Dimensions and density of banded bales.....	1
Bibliography.....	3

iTeh STANDARD PREVIEW  
(standards.iteh.ai)

[ISO 8115-1:2022](https://standards.iteh.ai/catalog/standards/sist/e1b54eb2-b6da-4416-8e5a-a4fbc718cb6c/iso-8115-1-2022)

<https://standards.iteh.ai/catalog/standards/sist/e1b54eb2-b6da-4416-8e5a-a4fbc718cb6c/iso-8115-1-2022>

## Foreword

ISO (the International Organization for Standardization) is a worldwide federation of national standards bodies (ISO member bodies). The work of preparing International Standards is normally carried out through ISO technical committees. Each member body interested in a subject for which a technical committee has been established has the right to be represented on that committee. International organizations, governmental and non-governmental, in liaison with ISO, also take part in the work. ISO collaborates closely with the International Electrotechnical Commission (IEC) on all matters of electrotechnical standardization.

The procedures used to develop this document and those intended for its further maintenance are described in the ISO/IEC Directives, Part 1. In particular, the different approval criteria needed for the different types of ISO documents should be noted. This document was drafted in accordance with the editorial rules of the ISO/IEC Directives, Part 2 (see [www.iso.org/directives](http://www.iso.org/directives)).

Attention is drawn to the possibility that some of the elements of this document may be the subject of patent rights. ISO shall not be held responsible for identifying any or all such patent rights. Details of any patent rights identified during the development of the document will be in the Introduction and/or on the ISO list of patent declarations received (see [www.iso.org/patents](http://www.iso.org/patents)).

Any trade name used in this document is information given for the convenience of users and does not constitute an endorsement.

For an explanation of the voluntary nature of standards, the meaning of ISO specific terms and expressions related to conformity assessment, as well as information about ISO's adherence to the World Trade Organization (WTO) principles in the Technical Barriers to Trade (TBT), see [www.iso.org/iso/foreword.html](http://www.iso.org/iso/foreword.html).

This document was prepared by Technical Committee ISO/TC 72, *Textile machinery and accessories*, Subcommittee SC 1, *Spinning preparatory, spinning, twisting and winding machinery and accessories*.

This first edition of ISO 8115-1 cancels and replaces ISO 8115:1986, which has been technically revised.

The main changes are as follows:

- [Figure 1](#) has been re-drawn;
- values in [Table 1](#) have been modified;
- ISO 668 has been moved to the Bibliography;
- various editorial changes have been made.

A list of all parts in the ISO 8115 series can be found on the ISO website.

Any feedback or questions on this document should be directed to the user's national standards body. A complete listing of these bodies can be found at [www.iso.org/members.html](http://www.iso.org/members.html).

## Introduction

This document is intended to reduce the innumerable dimensions of cotton bales.

The dimensions specified in this document are founded on technological and transportation considerations, which include the following:

- the specified density of the bale represents a good compromise between compact storage and reliable and regular opening and mixing of the bales;
- the height of the unbanded bale should not be specified, since the height it assumes is governed by fibre characteristics, moisture and density;
- the box dimensions of the baling press should be decided by the baling press manufacturers;
- stacking of the bales on end, to avoid compression and distortion;
- optimum container utilization for transportation;
- optimum use of working width of typical bale openers (2,3 m); it should be possible to lay the bales in a way that bale lay-down has a width of 1,9 m to 2,2 m.

This document should be considered for all new installations of bale presses.

iTeh STANDARD PREVIEW  
(standards.iteh.ai)

[ISO 8115-1:2022](https://standards.iteh.ai/catalog/standards/sist/e1b54eb2-b6da-4416-8e5a-a4fbc718cb6c/iso-8115-1-2022)

<https://standards.iteh.ai/catalog/standards/sist/e1b54eb2-b6da-4416-8e5a-a4fbc718cb6c/iso-8115-1-2022>



# Cotton bales —

## Part 1: Dimensions and density

### 1 Scope

This document lays down the nominal overall dimensions and the bale density of banded cotton bales. It applies to the shaping and forming, the transport and the opening of the bales. It does not apply to wrapping, to banding, and to the marking of bales.

### 2 Normative references

There are no normative references in this document.

### 3 Terms and definitions

No terms and definitions are listed in this document.

ISO and IEC maintain terminology databases for use in standardization at the following addresses:

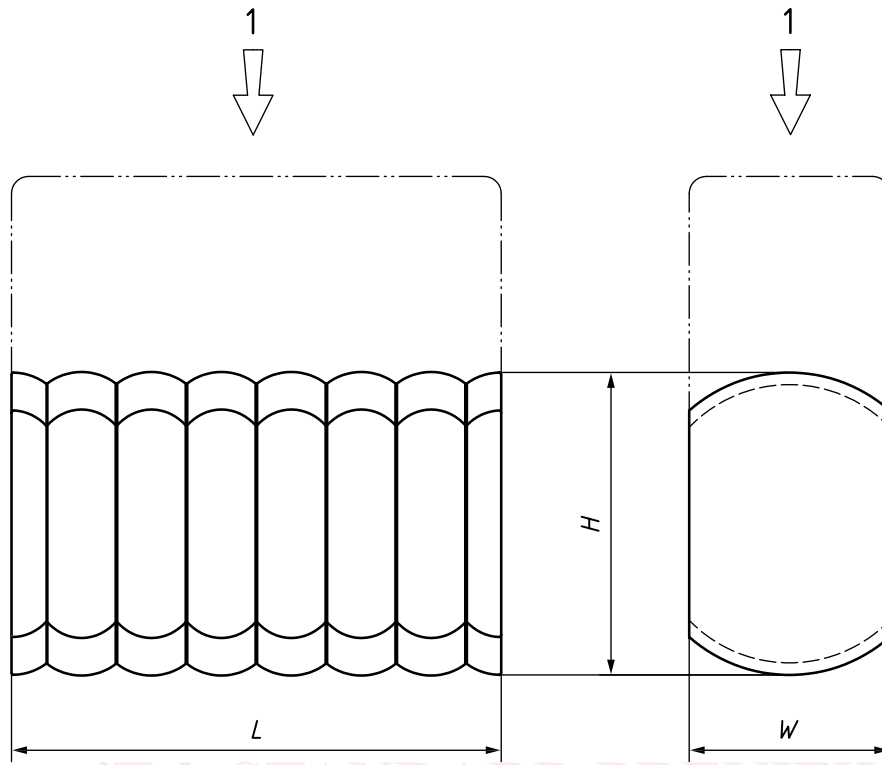
— ISO Online browsing platform: available at <https://www.iso.org/obp>

— IEC Electropedia: available at <https://www.electropedia.org/>

[https://standards.iteh.ai/catalog/standards/sist/e1b54eb2-b6da-4416-8e5a-a4fbc718cb6c/iso-](https://standards.iteh.ai/catalog/standards/sist/e1b54eb2-b6da-4416-8e5a-a4fbc718cb6c/iso-8115-1-2022)

### 4 Dimensions and density of banded bales

The nominal overall dimensions and density of banded bales as well as the direction of bale pressing are defined in [Figure 1](#) and [Table 1](#).



**Key**

- 1 direction of bale pressing
- $L$  overall length of the banded bale
- $W$  overall width of the banded bale
- $H$  overall height of the banded bale

iTeh STANDARD PREVIEW  
(standards.iteh.ai)

ISO 8115-1:2022

[https://standards.iteh.ai/catalog/standards/sist/e1b54eb2-b6da-4416-8e5a-a4fbc718cb6c/iso-](https://standards.iteh.ai/catalog/standards/sist/e1b54eb2-b6da-4416-8e5a-a4fbc718cb6c/iso-8115-1-2022)

**Figure 1 — Banded bale**

**Table 1 — Nominal overall dimensions and density of banded bales**

$L$ mm	$W$ mm	$H$ mm	Density kg/m <sup>3</sup>
1 060	530	780 to 950	360 to 450
1 400	530	700 to 900	
1 590	530	650 to 800	

For optimal utilization of containers, the following nominal overall dimensions should be used:

- a)  $H = 815$  mm for bales with  $L = 1\ 060$  mm;
- b)  $H = 740$  mm for bales with  $L = 1\ 400$  mm;
- c)  $H = 740$  mm for bales with  $L = 1\ 590$  mm.

The use of ISO containers of the A series, nominal length of 12 m (40 ft), is recommended.

To optimize bale lay-down, the length should be an integer multiple of the width.

For stable stacking, bales should be stacked with their height  $H$  horizontal.

For cross-wise piling, an integer length-to-height or a length-to-width ratio, e.g. 2:1, 3:1 or 3:2, is ideal.



## Bibliography

- [1] ISO 668, *Series 1 freight containers — Classification, dimensions and ratings*

iTeh STANDARD PREVIEW  
(standards.iteh.ai)

[ISO 8115-1:2022](https://standards.iteh.ai/catalog/standards/sist/e1b54eb2-b6da-4416-8e5a-a4fbc718cb6c/iso-8115-1-2022)

<https://standards.iteh.ai/catalog/standards/sist/e1b54eb2-b6da-4416-8e5a-a4fbc718cb6c/iso-8115-1-2022>

iTeh STANDARD PREVIEW  
(standards.iteh.ai)

ISO 8115-1:2022

<https://standards.iteh.ai/catalog/standards/sist/e1b54eb2-b6da-4416-8e5a-a4fbc718cb6c/iso-8115-1-2022>