
**Optics and photonics — Specifications
for telescopic sights —**

**Part 2:
High-performance instruments**

Optique et photonique — Spécifications pour lunettes de pointage —

Partie 2: Instruments haute performance

**iTeh STANDARD PREVIEW
(standards.iteh.ai)**

ISO 14135-2:2021

<https://standards.iteh.ai/catalog/standards/sist/6af4d641-595c-4fed-a13c-42a206c9b0d6/iso-14135-2-2021>



iTeh STANDARD PREVIEW
(standards.iteh.ai)

ISO 14135-2:2021

<https://standards.iteh.ai/catalog/standards/sist/6af4d641-595c-4fed-a13c-42a206c9b0d6/iso-14135-2-2021>



COPYRIGHT PROTECTED DOCUMENT

© ISO 2021

All rights reserved. Unless otherwise specified, or required in the context of its implementation, no part of this publication may be reproduced or utilized otherwise in any form or by any means, electronic or mechanical, including photocopying, or posting on the internet or an intranet, without prior written permission. Permission can be requested from either ISO at the address below or ISO's member body in the country of the requester.

ISO copyright office
CP 401 • Ch. de Blandonnet 8
CH-1214 Vernier, Geneva
Phone: +41 22 749 01 11
Email: copyright@iso.org
Website: www.iso.org

Published in Switzerland

Contents

	Page
Foreword	iv
1 Scope	1
2 Normative references	1
3 Terms and definitions	1
4 Classification	2
5 Interfaces	2
6 Fundamental requirements	2
7 Consumer information	4
7.1 Marking	4
7.2 Information brochures	4
7.3 Conformity	4
Annex A (informative) Recommended interface dimensions	6
Bibliography	9

iTeh STANDARD PREVIEW (standards.iteh.ai)

[ISO 14135-2:2021](https://standards.iteh.ai/catalog/standards/sist/6af4d641-595c-4fed-a13c-42a206c9b0d6/iso-14135-2-2021)

<https://standards.iteh.ai/catalog/standards/sist/6af4d641-595c-4fed-a13c-42a206c9b0d6/iso-14135-2-2021>

Foreword

ISO (the International Organization for Standardization) is a worldwide federation of national standards bodies (ISO member bodies). The work of preparing International Standards is normally carried out through ISO technical committees. Each member body interested in a subject for which a technical committee has been established has the right to be represented on that committee. International organizations, governmental and non-governmental, in liaison with ISO, also take part in the work. ISO collaborates closely with the International Electrotechnical Commission (IEC) on all matters of electrotechnical standardization.

The procedures used to develop this document and those intended for its further maintenance are described in the ISO/IEC Directives, Part 1. In particular, the different approval criteria needed for the different types of ISO documents should be noted. This document was drafted in accordance with the editorial rules of the ISO/IEC Directives, Part 2 (see www.iso.org/directives).

Attention is drawn to the possibility that some of the elements of this document may be the subject of patent rights. ISO shall not be held responsible for identifying any or all such patent rights. Details of any patent rights identified during the development of the document will be in the Introduction and/or on the ISO list of patent declarations received (see www.iso.org/patents).

Any trade name used in this document is information given for the convenience of users and does not constitute an endorsement.

For an explanation of the voluntary nature of standards, the meaning of ISO specific terms and expressions related to conformity assessment, as well as information about ISO's adherence to the World Trade Organization (WTO) principles in the Technical Barriers to Trade (TBT), see www.iso.org/iso/foreword.html.

This document was prepared by Technical Committee ISO/TC 172, *Optics and photonics*, Subcommittee SC 4, *Telescopic systems*.

This fourth edition cancels and replaces the third edition (ISO 14135-2:2017), which has been technically revised. The main changes compared to the previous edition are as follows:

- critical eye relief added to the product information.

A list of all parts in the ISO 14135 series can be found on the ISO website.

Any feedback or questions on this document should be directed to the user's national standards body. A complete listing of these bodies can be found at www.iso.org/members.html.

Optics and photonics — Specifications for telescopic sights —

Part 2: High-performance instruments

1 Scope

This document applies to high-performance telescopic sights, used on hand-held firearms and airguns. It contains a classification of the usage of telescopic sights and specifies interfaces, minimum requirements and tolerances to their performances.

General-purpose telescopic sights are specified in ISO 14135-1.

2 Normative references

The following documents are referred to in the text in such a way that some or all of their content constitutes requirements of this document. For dated references, only the edition cited applies. For undated references, the latest edition of the referenced document (including any amendments) applies.

ISO 14132-1, *Optics and photonics — Vocabulary for telescopic systems — Part 1: General terms and alphabetical indexes of terms in ISO 14132*

ISO 14132-3, *Optics and photonics — Vocabulary for telescopic systems — Part 3: Terms for telescopic sights*

ISO 14490-1, *Optics and optical instruments — Test methods for telescopic systems — Part 1: Test methods for basic characteristics*

ISO 14490-3, *Optics and photonics — Test methods for telescopic systems — Part 3: Test methods for telescopic sights*

ISO 14490-5, *Optics and photonics — Test methods for telescopic systems — Part 5: Test methods for transmittance*

ISO 14490-7, *Optics and photonics — Test methods for telescopic systems — Part 7: Test methods for limit of resolution*

ISO 20711, *Optics and photonics — Environmental requirements — Test requirements for telescopic systems*

3 Terms and definitions

For the purposes of this document, the terms and definitions given in ISO 14132-1 and ISO 14132-3 apply.

ISO and IEC maintain terminological databases for use in standardization at the following addresses:

- ISO Online browsing platform: available at <https://www.iso.org/obp>
- IEC Electropedia: available at <http://www.electropedia.org/>

4 Classification

Due to different requirements, telescopic sights shall be classified according to their end use, thus:

- telescopic sights for airguns;
- telescopic sights for pistols (e.g. handgun scopes);
- telescopic sights for rifles (e.g. hunting telescopic sights).

5 Interfaces

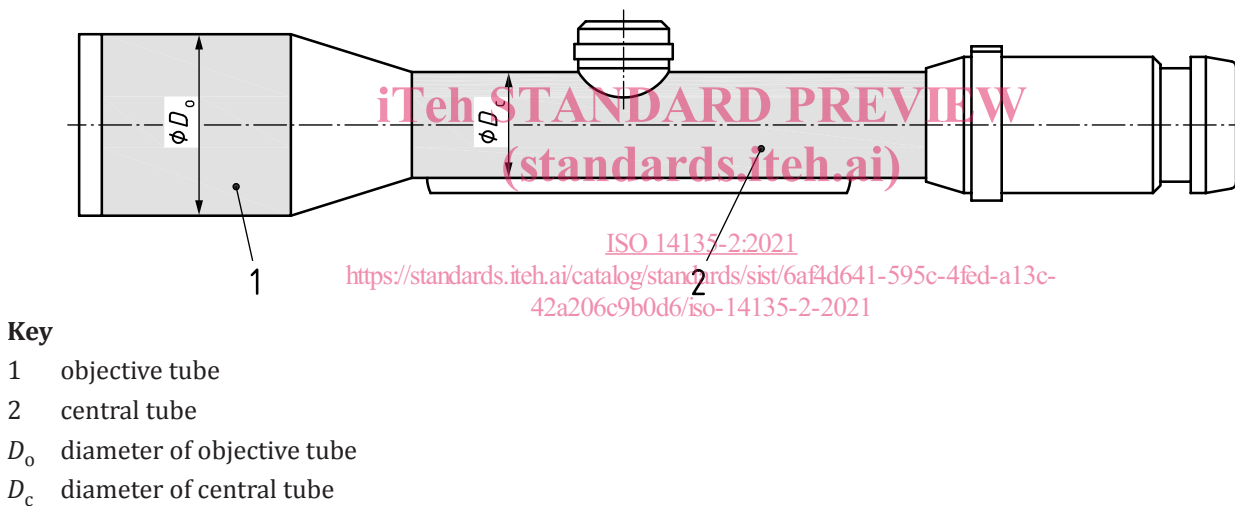
Telescopic sights shall have interfaces to mounting systems for interconnection with firearms.

The interface areas shall be the central tube and, if of different size, the objective tube.

The interface areas shall be cylindrical in shape. Alternatively, the central tube may have a dovetail at the bottom side.

Recommended interface dimensions are shown in [Annex A](#).

For interface areas, see [Figure 1](#).



Key

- 1 objective tube
- 2 central tube
- D_o diameter of objective tube
- D_c diameter of central tube

Figure 1 — Interface areas (schematic)

6 Fundamental requirements

Fundamental requirements are defined by minimum values or tolerances for the important characteristics of telescopic sights.

Tolerances specify maximum deviations between measured and nominal values. Nominal values shall be laid down by the manufacturing or trading company.

Telescopic sights shall conform to the environmental requirements relative to the respective instrument type as appropriate. These environmental requirements shall be specified in ISO 20711.

Conformity of the telescopic sight with the requirements given in [Table 1](#) and [Table 2](#) shall be tested in accordance with the test methods specified in ISO 14490-1, ISO 14490-3, ISO 14490-5 and ISO 14490-7.

Table 1 — Minimum values for characteristics of high-performance telescopic sights

Characteristics	Type of telescopic sight	Minimum value/requirement
Eye relief, in millimetres	For airguns	50
	For pistols	250
	For rifles	70
Resolution, in arc seconds (exit pupil $\leq 4,5$ mm)	All	centre $\leq 300/D^a$
Resolution, in arc seconds (exit pupil $> 4,5$ mm)	For airguns	$\leq 2 \times 60/\Gamma^b$
	For pistols	$\leq 1,2 \times 60/\Gamma$
	For rifles	$\leq 1,0 \times 60/\Gamma$
Dioptr adjustment range (total), in dioptr	For pistols or rifles	3
Total reticle adjustment range ^c , in arc minutes	For rifles or pistols	30
Transmission	All	Each glass-to-air surface shall be antireflection-coated.
^a D is the entrance pupil diameter, in millimetres, in accordance with ISO 14132-1. ^b Γ is the magnification in accordance with ISO 14132-1. ^c Independent for both elevation and windage adjustment.		

Table 2 — Tolerances for characteristics of high-performance telescopic sights

Characteristics	Type of telescopic sight	Maximum deviation		
		$\Gamma \leq 3$	$\Gamma > 3$	Zoom
Magnification	All	$\pm 5\%$	$\pm 3\%$	$\pm 5\%$
Field of view	All	$\pm 5\%$	$\pm 3\%$	$\pm 5\%$
Entrance pupil diameter ^a	For airguns	$\pm 5\%$		
	For rifles or pistols	$\pm 3\%$		
Zero setting of dioptr scale ^b , in dioptr	All	$\Gamma \leq 2$	$\Gamma > 2$	
	All	not required	$\pm 0,25$	
Parallax of reticle ^c , in min of arc	All	$\Gamma < 6$	$\Gamma \geq 6$	
	For airguns	$4/\Gamma$	—	
	For pistols	$3/\Gamma$	—	
	For rifles	$2/\Gamma$	0,3	
Centre of reticle ^d , in relation to total field of view	For airguns	$\pm 1,0\%$		
	For rifles or pistols	$\pm 0,7\%$		
Reticle tilt, in degrees	All	± 2		
Reticle tracking, in degrees	For rifles or pistols	± 2		
^a At maximum magnification on zoom-telescopic sights. ^b This tolerance includes focus shift due to zooming. ^c Angular deviation in object space. ^d In relation to centre of field of view. ^e Γ is the minimum magnification of the zoom system.				

Table 2 (continued)

Characteristics	Type of telescopic sight	Maximum deviation		
		$\Gamma \leq 2$	$2 < \Gamma \leq 6$	$\Gamma > 6$
Line of sight shift due to zooming ^c , in min of arc	Reticle in first image plane	—		
		$\Gamma \leq 2$	$2 < \Gamma \leq 6$	$\Gamma > 6$
	Reticle in second image plane ^e	1,5	$3/\Gamma$	0,5

^a At maximum magnification on zoom-telescopic sights.
^b This tolerance includes focus shift due to zooming.
^c Angular deviation in object space.
^d In relation to centre of field of view.
^e Γ is the minimum magnification of the zoom system.

7 Consumer information

7.1 Marking

For identification and operation, telescopic sights shall have, as a minimum, the markings listed in [Table 3](#).

iTeh STANDARD PREVIEW
Table 3 — Marking
(standards.itech.ai)

Characteristics	Marking	
	Required	Recommended
Magnification or range of magnification ^a	×	×
Entrance pupil diameter ^a	×	
Name of manufacturer or registered trade mark	×	
Product name or identification		×
Country of origin		×
Serial number		×
Position for zero dioptre		×
Value of reticle adjustment per click		×
Direction of adjustment for point of impact		×

^a Basic designation is given by the combination of magnification and diameter of entrance pupil, e.g. 6 × 42 or 3– 10 × 50.

7.2 Information brochures

Product catalogues, user manuals and other technical information brochures for telescopic sights shall provide complete information at least on the technical characteristics given in [Table 4](#).

7.3 Conformity

Products according to the requirements given in this document may be designated as “High-performance instruments in accordance with ISO 14135-2”.

Products according to the requirements given in ISO 14135-1 may be designated as “General-purpose instruments in accordance with ISO 14135-1”.

Table 4 — Product information

Characteristics	Information	
	Required	Recommended
Magnification or range of magnification	×	
Entrance pupil diameter (mm)	×	
Name of manufacturer or registered trade mark	×	
Product name or identification	×	
Country of origin		×
Field of view (m/100 m or ft/100 yd or degree)	×	
Exit pupil diameter (mm)	×	
Resolution or MTF		×
Light transmission		×
Type of coating		×
Twilight number		×
Eye relief range (mm)		×
Eye relief (mm)	×	
Critical eye relief (mm)	×	
Dimension/subtense of reticles		×
Parallax-free distance (m or yd)	×	
Total reticle adjustment range		×
Value of reticle adjustment per click	×	
Direction of adjustment for point of impact		×
Mechanical dimensions (mm)	×	
Mass		
Operational temperature range		×
Storage temperature range		×
Water tightness	×	

Annex A (informative)

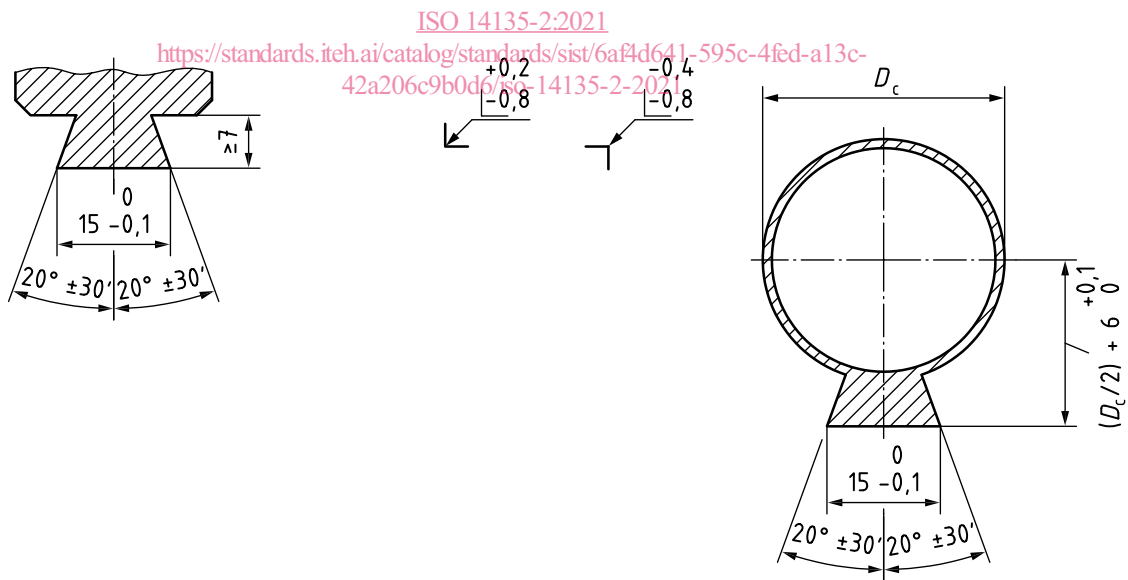
Recommended interface dimensions

For recommended interface dimensions, see [Table A.1](#). For example of a central tube with inside dovetail and adapter (cross section), see [Figure A.2](#). For example of a sliding block, see [Figure A.3](#). For example of a rail mount, see [Figure A.4](#).

Table A.1 — Recommended interface dimensions

Shape	Dimension ^a		Tolerance	Application
	D_c	D_o		
Cylindrical	19 mm or 22 mm	All	$\pm 0,1$ mm	For airguns
Cylindrical	25,4 mm (1 in) or 30 mm	All	$\pm 0,1$ mm	For handguns
Cylindrical	25,4 mm (1 in) or 34 mm	1 in, 26 mm, 30 mm, 36 mm; for $D_o > 36$ mm every integer value in mm	$\pm 0,1$ mm	For rifles
With dovetail (see Figure A.1)	Manufacturer's specification	1 in, 26 mm, 30 mm, 36 mm; for $D_o \geq 36$ mm every integer value in mm	$\pm 0,1$ mm	For rifles

^a D_c is the central tube diameter; D_o is the objective tube diameter.



a) Cut through the tube at the turret position b) Cut through the tube between objective and turret position

Figure A.1 — Example of central tube with dovetail (cross section)