

FINAL
DRAFT

INTERNATIONAL
STANDARD

ISO/FDIS
4000-2

ISO/TC 31/SC 3

Secretariat: AFNOR

Voting begins on:
2021-07-08

Voting terminates on:
2021-09-02

Passenger car tyres and rims —

Part 2: Rims

*Pneumatiques et jantes pour voitures particulières —
Partie 2: Jantes*

iTeh STANDARD PREVIEW
(standards.iteh.ai)

[ISO/FDIS 4000-2](https://standards.iteh.ai/catalog/standards/sist/d28607a8-964c-44c9-b004-9768e04798f5/iso-fdis-4000-2)

<https://standards.iteh.ai/catalog/standards/sist/d28607a8-964c-44c9-b004-9768e04798f5/iso-fdis-4000-2>

RECIPIENTS OF THIS DRAFT ARE INVITED TO SUBMIT, WITH THEIR COMMENTS, NOTIFICATION OF ANY RELEVANT PATENT RIGHTS OF WHICH THEY ARE AWARE AND TO PROVIDE SUPPORTING DOCUMENTATION.

IN ADDITION TO THEIR EVALUATION AS BEING ACCEPTABLE FOR INDUSTRIAL, TECHNOLOGICAL, COMMERCIAL AND USER PURPOSES, DRAFT INTERNATIONAL STANDARDS MAY ON OCCASION HAVE TO BE CONSIDERED IN THE LIGHT OF THEIR POTENTIAL TO BECOME STANDARDS TO WHICH REFERENCE MAY BE MADE IN NATIONAL REGULATIONS.



Reference number
ISO/FDIS 4000-2:2021(E)

© ISO 2021

iTeh STANDARD PREVIEW
(standards.iteh.ai)

ISO/FDIS 4000-2
<https://standards.iteh.ai/catalog/standards/sist/d28607a8-964c-44c9-b004-9768e04798f5/iso-fdis-4000-2>



COPYRIGHT PROTECTED DOCUMENT

© ISO 2021

All rights reserved. Unless otherwise specified, or required in the context of its implementation, no part of this publication may be reproduced or utilized otherwise in any form or by any means, electronic or mechanical, including photocopying, or posting on the internet or an intranet, without prior written permission. Permission can be requested from either ISO at the address below or ISO's member body in the country of the requester.

ISO copyright office
CP 401 • Ch. de Blandonnet 8
CH-1214 Vernier, Geneva
Phone: +41 22 749 01 11
Email: copyright@iso.org
Website: www.iso.org

Published in Switzerland

Contents

	Page
Foreword	iv
1 Scope	1
2 Normative references	1
3 Terms and definitions	1
4 Designation and marking	1
5 5° tapered (drop-centre) rims	1
5.1 Rim flanges	1
5.2 Rim contours	2
5.3 Rim diameter and hump circumference	5
6 Valve holes $\varphi 11,3 +0,4/0$	6
6.1 General	6
6.2 Valve hole $\varphi 11,3 +0,4/0$ for snap-in valves	6
6.3 Valve hole $\varphi 11,3 +0,4/0$ for clamp-in valves	8

iTeh STANDARD PREVIEW (standards.iteh.ai)

ISO/FDIS 4000-2

<https://standards.iteh.ai/catalog/standards/sist/d28607a8-964c-44c9-b004-9768e04798f5/iso-fdis-4000-2>

Foreword

ISO (the International Organization for Standardization) is a worldwide federation of national standards bodies (ISO member bodies). The work of preparing International Standards is normally carried out through ISO technical committees. Each member body interested in a subject for which a technical committee has been established has the right to be represented on that committee. International organizations, governmental and non-governmental, in liaison with ISO, also take part in the work. ISO collaborates closely with the International Electrotechnical Commission (IEC) on all matters of electrotechnical standardization.

The procedures used to develop this document and those intended for its further maintenance are described in the ISO/IEC Directives, Part 1. In particular, the different approval criteria needed for the different types of ISO documents should be noted. This document was drafted in accordance with the editorial rules of the ISO/IEC Directives, Part 2 (see www.iso.org/directives).

Attention is drawn to the possibility that some of the elements of this document may be the subject of patent rights. ISO shall not be held responsible for identifying any or all such patent rights. Details of any patent rights identified during the development of the document will be in the Introduction and/or on the ISO list of patent declarations received (see www.iso.org/patents).

Any trade name used in this document is information given for the convenience of users and does not constitute an endorsement.

For an explanation of the voluntary nature of standards, the meaning of ISO specific terms and expressions related to conformity assessment, as well as information about ISO's adherence to the World Trade Organization (WTO) principles in the Technical Barriers to Trade (TBT), see www.iso.org/iso/foreword.html.

The committee responsible for this document is ISO/TC 31, *Tyres, rims and valves*, Subcommittee SC 3, *Passenger car tyres and rims*.

This sixth edition cancels and replaces the fifth edition (ISO 4000-2:2013), which has been technically revised.

The main changes compared to the previous edition are as follows:

- the article of valve hole for snap-in valve and clamp-in valve has been divided;
- the tolerance of circumference for round hump has been corrected.

A list of all parts in the ISO 4000 series can be found on the ISO website.

Any feedback or questions on this document should be directed to the user's national standards body. A complete listing of these bodies can be found at www.iso.org/members.html.

Passenger car tyres and rims —

Part 2: Rims

1 Scope

This document specifies the designation, contour and dimensions of 5° tapered (drop-centre) rims primarily intended for passenger cars.

2 Normative references

The following documents are referred to in the text in such a way that some or all of their content constitutes requirements of this document. For dated references, only the edition cited applies. For undated references, the latest edition of the referenced document (including any amendments) applies.

ISO 3911, *Wheels and rims for pneumatic tyres — Vocabulary, designation and marking*

ISO 9413, *Tyre valves — Dimensions and designation*

3 Terms and definitions (standards.iteh.ai)

For the purposes of this document, the terms and definitions given in ISO 3911 and ISO 9413 apply.

ISO and IEC maintain terminological databases for use in standardization at the following addresses:

- ISO Online browsing platform: available at <https://www.iso.org/obp>
- IEC Electropedia: available at <https://www.electropedia.org/>

4 Designation and marking

The rim shall be designated by its nominal rim-diameter code, nominal rim-width code and rim flange type (e.g. 15 × 6 J or 13 × 5,50 B) defined by ISO 3911.

5 5° tapered (drop-centre) rims

5.1 Rim flanges

Recommended rim flange contours are given in [Table 1](#) for the nominal rim diameter codes.

Table 1 — Recommended rim flanges

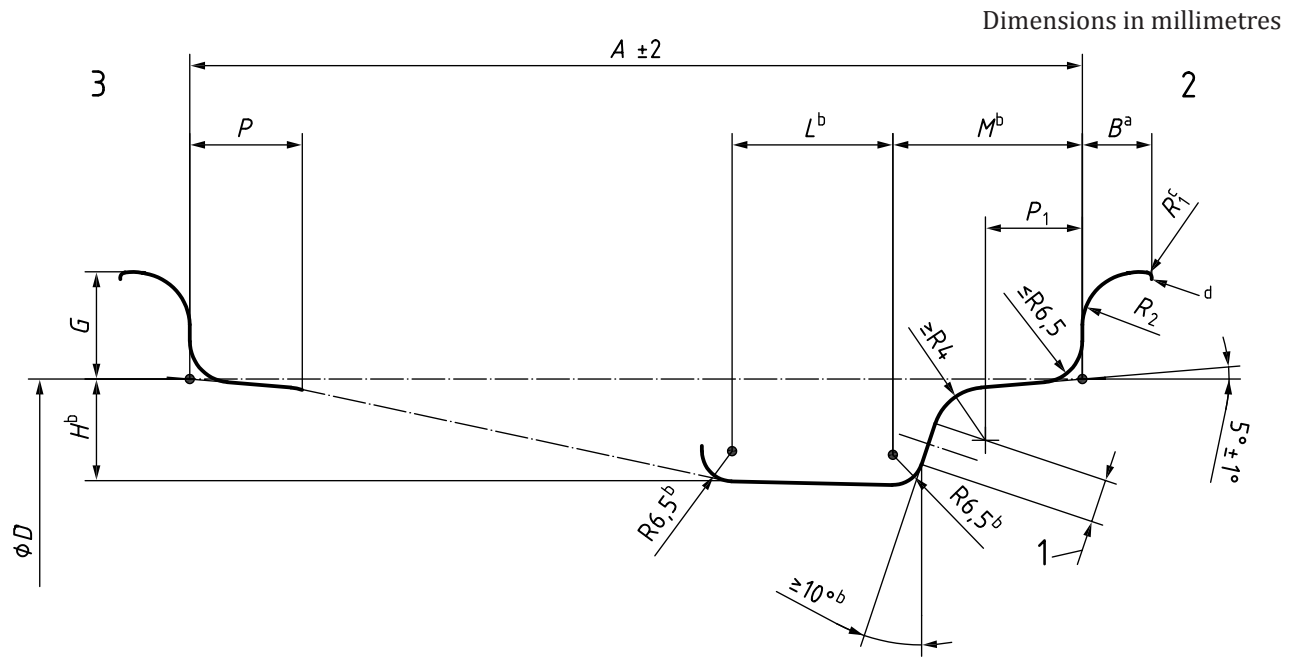
Nominal rim-diameter code	Rim flange
10	B
12	
13	
14	J
15	
16	
17	
18	
19	
20	
21	
22	
23	
24	
25	
26	
28	
30	

iTeH STANDARD PREVIEW
(standards.iteh.ai)

5.2 Rim contours

Dimensions and tolerances of the rims shall be as given in [Figure 1](#) and [Table 2](#). Optional bead seat contours and their dimensions are given in [Figure 2](#) and [Table 3](#).

The rim contour shall be rotational symmetric except for the valve hole area.



Key

- 1 valve hole (see Clause 6)
- 2 tyre mounting side
- 3 tyre non-mounting side
- A specified rim width
- B flange width
- D valve hole flat diameter
- G flange height
- H well depth
- L well width
- M well position
- P bead seat width
- P₁ well top radius position
- R well top radius

- R₁ flange compound radius
- R₂ flange radius

- a Flange width includes edge radius. The portion of a flange beyond the minimum width shall not be higher than the highest point of the flange. Flange dimensions apply to both sides of the rim contour.
- b These dimensions comprise the minimum well envelope for tyre mounting purposes at M max. or less, except for localized areas at the weld or valve hole.
- c Depending on the actual values for flange curl and flange width, but max. equal to R₂.

NOTE For use with tubeless tyres, humps are necessary on the vehicle outboard side and preferred on the vehicle inboard side.

Optional groove in rim flange for wheel weight retention is permissible.

Figure 1 — Contour of 5° tapered (drop-centre) rims

Table 2 — Dimensions of 5° tapered (drop-centre) rims

Dimensions in millimetres

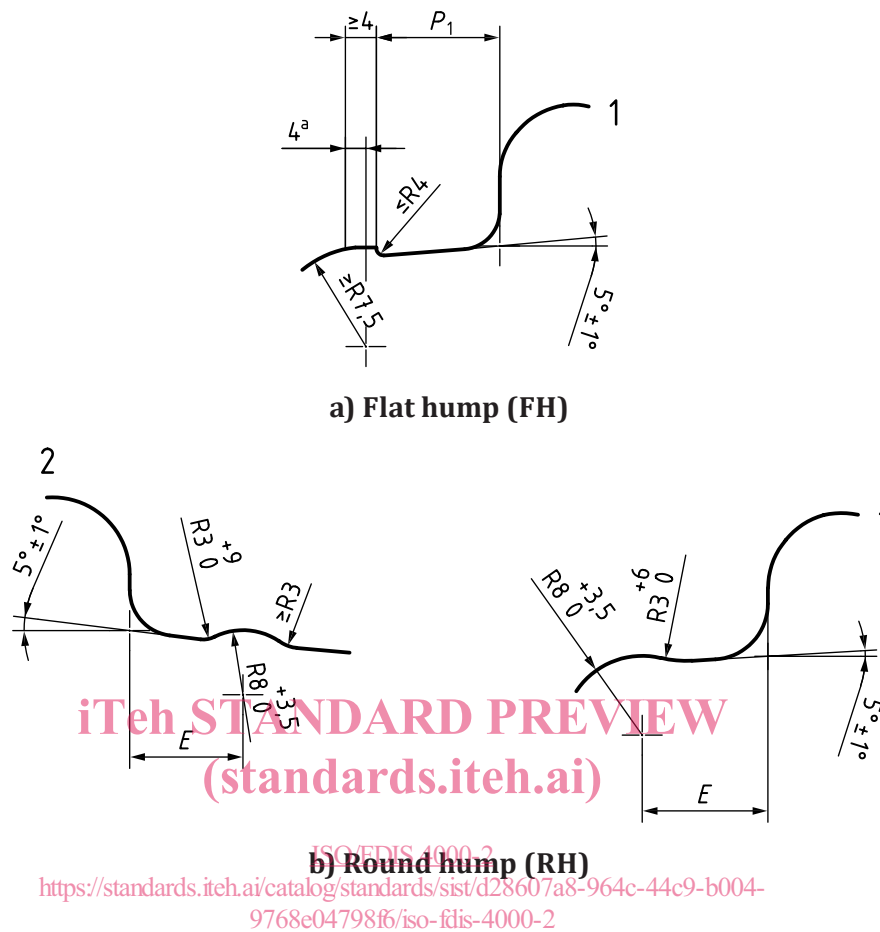
Diameter code	Rim width code and flange type ^c	<i>B</i> min.	<i>G</i> ±1,0	<i>P</i> min.	<i>P</i> ₁ min.	<i>H</i> ^a gauge	<i>L</i> gauge	<i>M</i> max.	<i>R</i> ₂ min.
10 12 13	3,00 B	10,0	14,5	13,0	15,0	15,0	16,0	28,0	7,5
	3,50 B	10,0	14,5	15,0	17,0	15,0	19,0	34,0	7,5
	4,00 B	10,0	14,5	15,0	17,0	15,0	19,0	45,0	7,5
	4,50 B and wider	10,0	14,5	19,5	19,5	15,0	22,0	45,0	7,5
14 through 21	3J	11,0	17,5	13,0	13,0	17,3 ^b	16,0	28,0	9,5
	3 1/2 J	11,0	17,5	15,0	17,0	17,3 ^b	19,0	34,0	9,5
	4 J	11,0	17,5	15,0	17,0	17,3 ^b	19,0	45,0	9,5
	4 1/2 J and wider	11,0	17,5	19,5	19,5	17,3 ^b	22,0	45,0	9,5
22 and greater	4 1/2 J and wider	11,0	17,5	19,5	19,5	22,0 ^d	22,0	45,0	9,5

^a Minimum dimensions for well depth, *H*, and well angle are required for tyre mounting. Larger values may be required to ensure sufficient space for tubeless tyre valve seating.

^b For J-type rims, a deviation to *H* gauge of 17 mm is permitted with a corresponding *M* max. of 43 mm.

^c $A = W \times 25,4$
where
A is the specified rim width (rounded to the nearest 0,5 mm; increments of code = 0,5);
W is the rim width code.

^d Some existing designs may follow minimum value of 17,3 well depth.



Key

- 1 tyre mounting side
- 2 tyre non-mounting side

Figure 2 — Optional bead seat contours

Table 3 — E dimension for round humps

Dimensions in millimetres

Rim width code and flange type	E
3,00 B and 3 J	13 min.
3,50 B, 3 1/2 J, 4,00 B, 4 J	16 min.
4,50 B, 4 1/2 J and wider	21,0 ^{+2,0} ₀ ^a

^a 19,5^{+2,0}₀ mm permitted for rim widths 4,50 B (4 1/2 J) to 7,00 B (7 J).
 NOTE See [Figure 2](#).

5.3 Rim diameter and hump circumference

The specified rim diameter, *D*, for nominal rim-diameter codes and hump circumferences is given in [Table 4](#).

Table 4 — Specified rim diameter and hump circumference of 5° tapered (drop-centre) rims

Dimensions in millimetres

Nominal rim-diameter code	Specified rim diameter $D \pm 0,4^a$	Circumference	
		Flat hump $\begin{smallmatrix} 0 \\ -3,5 \end{smallmatrix}$	Round hump $\begin{smallmatrix} 0 \\ -3,0 \end{smallmatrix}^b$
10	253,2	795,4	797,6
12	304,0	955,0	957,6
13	329,4	1 034,8	1 037,0
14	354,8	1 114,6	1 116,8
15	380,2	1 194,4	1 196,6
16	405,6	1 274,2	1 276,4
17	436,6	1 371,6	1 373,8
18	462,0	1 451,4	1 453,6
19	487,4	1 531,2	1 533,4
20	512,8	1 611,0	1 613,2
21	538,2	1 690,8	1 693,0
22	563,6	1 770,6	1 772,8
23	589,0	1 850,4	1 852,6
24	614,4	1 930,2	1 932,4
25	639,8	2 010,0	2 012,2
26	665,2	2 089,8	2 092,0
28	716,0	2 249,4	2 251,6
30	766,8	2 409,0	2 411,2

^a Tolerance is for tyre design purpose only. The rim measurement is by a circumference-measuring tape related to a mandrel.
<https://standards.iteh.ai/catalog/standards/sist/d28607a8-964c-44c9-b004-9768e04798f6/iso-fdis-4000-2>

^b A tolerance of $\begin{smallmatrix} 0 \\ -5,0 \end{smallmatrix}$ mm is permitted on the vehicle inboard side only.

6 Valve holes $\varphi 11,3 +0,4/0$

6.1 General

Valve hole edges on the tyre side of rims shall be rounded or chamfered; valve hole edges on the weather side of rims shall be free from burrs that could damage the valve.

6.2 Valve hole $\varphi 11,3 +0,4/0$ for snap-in valves

To provide for adequate sealing, an unbroken smooth inside surface having at least 0,75 mm or 25 % of rim thickness shall be maintained. Suitable valves shall be used. Valve hole details shall be as shown in [Figures 3](#) and [4](#) for rims with 17,3 mm minimum well depth.