



SLOVENSKI STANDARD
oSIST prEN ISO 8840:2024
01-april-2024

Ognjevzdržni materiali - Ugotavljanje prostorninske mase podrobljenih materialov (gostota zrn) (ISO 8840:2021)

Refractory materials - Determination of bulk density of granular materials (grain density) (ISO 8840:2021)

Feuerfeste Erzeugnisse - Bestimmung der Rohdichte von körnigem Gut (Korndichte) (ISO 8840:2021)

Matériaux réfractaires - Détermination de la masse volumique apparente des matériaux en grains (masse volumique des grains) (ISO 8840:2021)

Ta slovenski standard je istoveten z: prEN ISO 8840

[oSIST prEN ISO 8840:2024](#)

<https://standards.sist.net/catalog/standards/sist/41700292-0340-4720-0700-001acc06703/osist-pr-en-iso-8840-2024>

ICS:

81.080 Ognjevzdržni materiali Refractories

oSIST prEN ISO 8840:2024 **en,fr,de**

INTERNATIONAL STANDARD

**ISO
8840**

Second edition
2021-09

Refractory materials — Determination of bulk density of granular materials (grain density)

*Matériaux réfractaires — Détermination de la masse volumique
apparente des matériaux en grains (masse volumique des grains)*

iTeh Standards
(<https://standards.iteh.ai>)
Document Preview

[oSIST prEN ISO 8840:2024](https://standards.iteh.ai/catalog/standards/sist/f1780232-65a0-4726-b70b-cd1acc967b3/osist-pren-iso-8840-2024)

<https://standards.iteh.ai/catalog/standards/sist/f1780232-65a0-4726-b70b-cd1acc967b3/osist-pren-iso-8840-2024>



Reference number
ISO 8840:2021(E)

© ISO 2021

ISO 8840:2021(E)

iTeh Standards
(<https://standards.iteh.ai>)
Document Preview

[oSIST prEN ISO 8840:2024](https://standards.iteh.ai/catalog/standards/sist/f1780232-65a0-4726-b70b-cd1acc967b3/osist-pren-iso-8840-2024)

<https://standards.iteh.ai/catalog/standards/sist/f1780232-65a0-4726-b70b-cd1acc967b3/osist-pren-iso-8840-2024>



COPYRIGHT PROTECTED DOCUMENT

© ISO 2021

All rights reserved. Unless otherwise specified, or required in the context of its implementation, no part of this publication may be reproduced or utilized otherwise in any form or by any means, electronic or mechanical, including photocopying, or posting on the internet or an intranet, without prior written permission. Permission can be requested from either ISO at the address below or ISO's member body in the country of the requester.

ISO copyright office
CP 401 • Ch. de Blandonnet 8
CH-1214 Vernier, Geneva
Phone: +41 22 749 01 11
Email: copyright@iso.org
Website: www.iso.org

Published in Switzerland

Contents

Page

Foreword.....	iv
1 Scope.....	1
2 Normative references.....	1
3 Terms and definitions.....	1
4 Principle.....	2
5 Sampling.....	2
6 Preparation, number and test size of samples.....	2
6.1 Preparation of samples.....	2
6.2 Number of samples.....	2
6.3 Mass of test samples.....	2
7 Determination of mass of test sample.....	2
8 Determination of volume of test sample — Method 1: Mercury method with vacuum.....	3
8.1 Principle.....	3
8.2 Apparatus.....	4
8.3 Determination of mass of empty vacuum pycnometer.....	5
8.4 Determination of mass of pycnometer filled with mercury.....	6
8.5 Determination of mass of pycnometer containing test sample and filled with mercury.....	6
8.6 Calculation of volume of test sample.....	6
9 Determination of volume of test sample — Method 2: Arrested water absorption method.....	7
9.1 Apparatus.....	7
9.2 Determination of volume of test sample.....	7
9.3 Calculation of results.....	8
10 Determination of bulk density of test sample — Method 3: Vacuum method with spin dryer option.....	8
10.1 Principle.....	8
10.2 Apparatus and materials.....	8
10.3 Procedure.....	9
10.3.1 Determination of the mass of dry test piece (m_1).....	9
10.3.2 Soaking of the test sample.....	10
10.3.3 Determination of the apparent mass of the immersed test sample (m_5) and the mass of the soaked test sample (m_3).....	10
10.4 Calculation of results.....	12
10.4.1 Calculation of the volume of the test sample (V_R).....	12
10.4.2 Calculation of the bulk density of the test sample (ρ_R).....	12
10.5 Precision and bias.....	12
10.5.1 Interlaboratory data.....	12
10.5.2 Precision.....	12
10.5.3 Bias.....	13
11 Test report.....	13
Bibliography.....	14

ISO 8840:2021(E)

Foreword

ISO (the International Organization for Standardization) is a worldwide federation of national standards bodies (ISO member bodies). The work of preparing International Standards is normally carried out through ISO technical committees. Each member body interested in a subject for which a technical committee has been established has the right to be represented on that committee. International organizations, governmental and non-governmental, in liaison with ISO, also take part in the work. ISO collaborates closely with the International Electrotechnical Commission (IEC) on all matters of electrotechnical standardization.

The procedures used to develop this document and those intended for its further maintenance are described in the ISO/IEC Directives, Part 1. In particular, the different approval criteria needed for the different types of ISO documents should be noted. This document was drafted in accordance with the editorial rules of the ISO/IEC Directives, Part 2 (see www.iso.org/directives).

Attention is drawn to the possibility that some of the elements of this document may be the subject of patent rights. ISO shall not be held responsible for identifying any or all such patent rights. Details of any patent rights identified during the development of the document will be in the Introduction and/or on the ISO list of patent declarations received (see www.iso.org/patents).

Any trade name used in this document is information given for the convenience of users and does not constitute an endorsement.

For an explanation of the voluntary nature of standards, the meaning of ISO specific terms and expressions related to conformity assessment, as well as information about ISO's adherence to the World Trade Organization (WTO) principles in the Technical Barriers to Trade (TBT), see www.iso.org/iso/foreword.html.

This document was prepared by Technical Committee 33, *Refractories*.

This second edition cancels and replaces the first edition (ISO 8840:1987), which has been technically revised.

The main changes compared to the previous edition are as follows:

- a new method according to ISO 5017 has been added. It is identical to the method given in EN 993-18 with a suggested improvement to avoid the most influencing factor of the operator.

Any feedback or questions on this document should be directed to the user's national standards body. A complete listing of these bodies can be found at www.iso.org/members.html.

Refractory materials — Determination of bulk density of granular materials (grain density)

1 Scope

This document specifies three methods for the determination of the bulk density of granular refractory materials (grain density) having a grain size larger than 2 mm:

- Method 1: mercury method with vacuum;
- Method 2: arrested water absorption method;
- Method 3: vacuum method with spin dryer option according to ISO 5017.

Method 1 is intended as the reference method.

NOTE Depending on the nature of the material tested, the three methods can give different results. Any statement of the value of a bulk density can therefore be accompanied by an indication of the method used or to be used in case of dispute.

The same method can be used for the determination of the volume of the sample, for selecting and preparing the sample, for calculating the bulk density and for presenting the test report.

2 Normative references

The following documents are referred to in the text in such a way that some or all of their content constitutes requirements of this document. For dated references, only the edition cited applies. For undated references, the latest edition of the referenced document (including any amendments) applies.

ISO 383, *Laboratory glassware — Interchangeable conical ground joints*

ISO 385-1, *Laboratory glassware — Burettes — Part 1: General requirements*

ISO 5017, *Dense shaped refractory products — Determination of bulk density, apparent porosity and true porosity*

ISO 8656, *Refractory products — Raw materials and unshaped products — Sampling*

3 Terms and definitions

For the purposes of this document, the following terms and definitions apply.

ISO and IEC maintain terminological databases for use in standardization at the following addresses:

- ISO Online browsing platform: available at <https://www.iso.org/obp>
- IEC Electropedia: available at <https://www.electropedia.org/>

3.1

grain density

bulk density of granular material

ratio of the mass of a quantity of the material to the total volume of its grains, including the volume of any *closed pores* (3.2) within the grains

ISO 8840:2021(E)

3.2

closed pore

pore that is not penetrated by a liquid in which the grains are immersed

4 Principle

Measurement of the volume of a given mass of a granular material by displacement of a liquid.

5 Sampling

Sampling shall be carried out in accordance with ISO 8656 or with another standard sampling scheme agreed between the interested parties.

6 Preparation, number and test size of samples

6.1 Preparation of samples

The material to be tested shall consist of fractions or groups of fractions with grain sizes above 2 mm. Laboratory samples shall be produced by sieving, after any preliminary comminution of the material above 5,6 mm grain size. Test results can be affected by the comminution technique and the equipment used.

Any dust or loose particles adhering to the grains shall be removed before testing by washing or, with materials sensitive to moisture or humidity, by air blowing.

To improve reproducibility, it is recommended to reduce the distribution of grains from between 2 mm and 5,6 mm to between 3 mm and 4 mm.

6.2 Number of samples

Take at least three test samples from the laboratory sample and carry out one determination of bulk density on each test sample.

6.3 Mass of test samples

The mass of test samples depends on the grain size and the homogeneity of the material. Recommended sizes are shown in [Table 1](#).

Table 1 — Mass of test samples

Grain fraction mm	Method	Size of test samples	
		g	
		Good homogeneity	Poor homogeneity
2,0 to 5,6	1	100	200
	2	50	50
3,0 to 4,0	3	200	200

7 Determination of mass of test sample

Dry the test sample to constant mass in the drying oven maintained at 110 ± 5 °C and allow it to cool to ambient temperature in the desiccator. Weigh the test sample to the nearest 0,1 g and a scale graduation of 0,01 g.

8 Determination of volume of test sample — Method 1: Mercury method with vacuum

8.1 Principle

Determination of the volume of the test sample by the mercury displacement method with a vacuum below 3 000 Pa residual pressure, preferably with a residual pressure of 133 Pa.

Method 1 is preferred as a reference method because of its reproducibility and simplicity in use. However, mercury is known to be a hazardous substance, and therefore method 2 (see [Clause 9](#)) is recommended for all routine purposes.

iTeh Standards
(<https://standards.iteh.ai>)
Document Preview

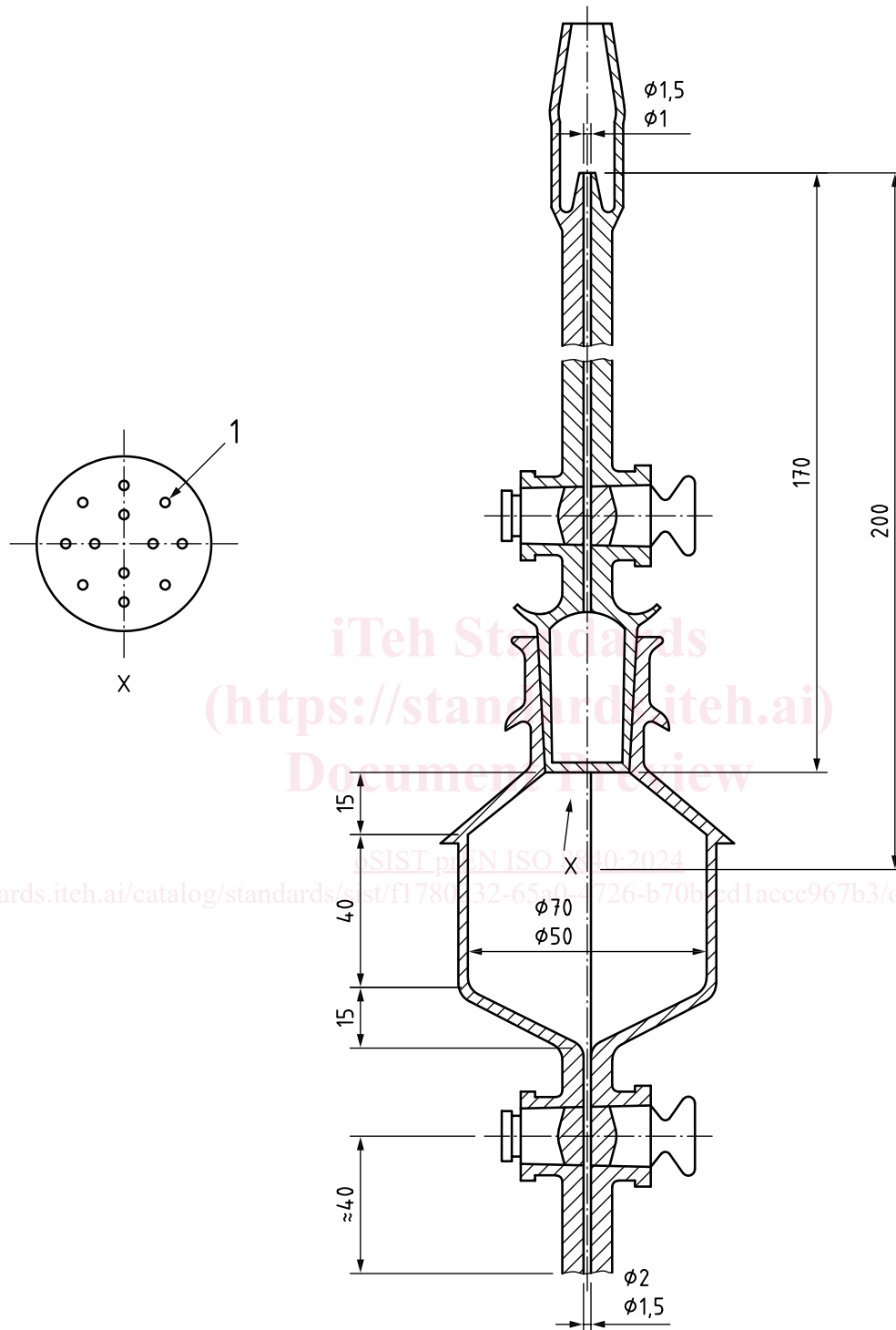
[oSIST prEN ISO 8840:2024](#)

<https://standards.iteh.ai/catalog/standards/sist/f1780232-65a0-4726-b70b-cd1acc967b3/osist-pren-iso-8840-2024>

ISO 8840:2021(E)

8.2 Apparatus

8.2.1 **Vacuum pycnometer**, a vessel as shown in [Figure 1](#) (incorporating conical ground glass joints in accordance with ISO 383).

**Key**

X view of X (enlarged)

1 holes, $\phi \leq 1$ mm

Figure 1 — Vacuum pycnometer