



SLOVENSKI STANDARD
oSIST prEN ISO 19675:2024
01-junij-2024

Neporušitvene preiskave - Ultrazvočne preiskave - Specifikacije kalibracijskega bloka za testiranje faznih nizov (PAU) (ISO 19675:2017)

Non-destructive testing - Ultrasonic testing - Specification for a calibration block for phased array testing (PAUT) (ISO 19675:2017)

Zerstörungsfreie Prüfung - Ultraschallprüfung - Festlegungen für einen Kalibrierkörper für die Phased-Array-Prüfung (PAUT) (ISO 19675:2017)

Essais non destructifs - Contrôle par ultrasons - Spécifications relatives au bloc d'étalonnage pour la technique multiéléments (ISO 19675:2017)

Ta slovenski standard je istoveten z: prEN ISO 19675

oSIST prEN ISO 19675:2024

<http://standards.sist.si/catalogue/standards/sist/2024/0634/0675-19675-2024> <http://standards.sist.si/catalogue/standards/sist/2024/0634/0675-19675-2024> <http://standards.sist.si/catalogue/standards/sist/2024/0634/0675-19675-2024>

ICS:

19.100 Neporušitveno preskušanje Non-destructive testing

oSIST prEN ISO 19675:2024

de

INTERNATIONAL STANDARD

ISO 19675

First edition
2017-01

Non-destructive testing — Ultrasonic testing — Specification for a calibration block for phased array testing (PAUT)

*Essais non destructifs — Contrôle par ultrasons — Spécifications
relatives au bloc d'étalonnage pour la technique multiéléments*

iTeh Standards
(<https://standards.iteh.ai>)
Document Preview

[oSIST prEN ISO 19675:2024](https://standards.iteh.ai/catalog/standards/sist/205be03a-c87b-47a9-bfac-f584fa6f2052/osist-pren-iso-19675-2024)

<https://standards.iteh.ai/catalog/standards/sist/205be03a-c87b-47a9-bfac-f584fa6f2052/osist-pren-iso-19675-2024>



Reference number
ISO 19675:2017(E)

© ISO 2017

ISO 19675:2017(E)

iTeh Standards
(<https://standards.iteh.ai>)
Document Preview

[oSIST prEN ISO 19675:2024](https://standards.iteh.ai/catalog/standards/sist/205bc03a-c87b-47a9-bfac-f584fa6f2052/osist-pren-iso-19675-2024)

<https://standards.iteh.ai/catalog/standards/sist/205bc03a-c87b-47a9-bfac-f584fa6f2052/osist-pren-iso-19675-2024>



COPYRIGHT PROTECTED DOCUMENT

© ISO 2017, Published in Switzerland

All rights reserved. Unless otherwise specified, no part of this publication may be reproduced or utilized otherwise in any form or by any means, electronic or mechanical, including photocopying, or posting on the internet or an intranet, without prior written permission. Permission can be requested from either ISO at the address below or ISO's member body in the country of the requester.

ISO copyright office
Ch. de Blandonnet 8 • CP 401
CH-1214 Vernier, Geneva, Switzerland
Tel. +41 22 749 01 11
Fax +41 22 749 09 47
copyright@iso.org
www.iso.org

Contents

	Page
Foreword	iv
1 Scope	1
2 Normative references	1
3 Terms and definitions	1
4 Abbreviated terms	1
5 Manufacture	2
5.1 Steel.....	2
5.2 Pre-machining and heat treatment.....	2
5.2.1 Raw blocks.....	2
5.2.2 Heat treatment.....	2
5.2.3 Checking prior to final machining.....	2
5.3 Final machining.....	3
5.3.1 Dimensions and surface finish.....	3
5.3.2 Reference marks.....	3
5.3.3 Velocity checks.....	3
6 Marking	3
7 Declaration of conformity	6
8 Possible modifications to phased array calibration block	6
Annex A (normative) Determination of material anisotropy	8
Annex B (informative) Description of possible uses of the PAUT calibration block	13
Bibliography	19

iTech Standards
(<https://standards.iteh.ai>)
Document Preview

[oSIST prEN ISO 19675:2024](https://standards.iteh.ai/catalog/standards/sist/205be03a-c87b-47a9-bfac-f584fa6f2052/osist-pren-iso-19675-2024)

<https://standards.iteh.ai/catalog/standards/sist/205be03a-c87b-47a9-bfac-f584fa6f2052/osist-pren-iso-19675-2024>

ISO 19675:2017(E)

Foreword

ISO (the International Organization for Standardization) is a worldwide federation of national standards bodies (ISO member bodies). The work of preparing International Standards is normally carried out through ISO technical committees. Each member body interested in a subject for which a technical committee has been established has the right to be represented on that committee. International organizations, governmental and non-governmental, in liaison with ISO, also take part in the work. ISO collaborates closely with the International Electrotechnical Commission (IEC) on all matters of electrotechnical standardization.

The procedures used to develop this document and those intended for its further maintenance are described in the ISO/IEC Directives, Part 1. In particular the different approval criteria needed for the different types of ISO documents should be noted. This document was drafted in accordance with the editorial rules of the ISO/IEC Directives, Part 2 (see www.iso.org/directives).

Attention is drawn to the possibility that some of the elements of this document may be the subject of patent rights. ISO shall not be held responsible for identifying any or all such patent rights. Details of any patent rights identified during the development of the document will be in the Introduction and/or on the ISO list of patent declarations received (see www.iso.org/patents).

Any trade name used in this document is information given for the convenience of users and does not constitute an endorsement.

For an explanation on the meaning of ISO specific terms and expressions related to conformity assessment, as well as information about ISO's adherence to the World Trade Organization (WTO) principles in the Technical Barriers to Trade (TBT) see the following URL: www.iso.org/iso/foreword.html.

This document was prepared by Technical Committee ISO/IIW, *International Institute of Welding*, Commission V.

Requests for official interpretations of any aspect of this document should be directed to the ISO Central Secretariat, who will forward them to the IIW Secretariat for an official response.

[oSIST prEN ISO 19675:2024](https://standards.iteh.ai/catalog/standards/sist/205be03a-c87b-47a9-bfac-f584fa6f2052/osist-pren-iso-19675-2024)

<https://standards.iteh.ai/catalog/standards/sist/205be03a-c87b-47a9-bfac-f584fa6f2052/osist-pren-iso-19675-2024>

Non-destructive testing — Ultrasonic testing — Specification for a calibration block for phased array testing (PAUT)

1 Scope

This document specifies requirements for the dimensions, material and manufacture of a steel block for calibrating ultrasonic test equipment used in ultrasonic testing with the phased array technique.

2 Normative references

The following documents are referred to in the text in such a way that some or all of their content constitutes requirements of this document. For dated references, only the edition cited applies. For undated references, the latest edition of the referenced document (including any amendments) applies.

ISO 5577, *Non-destructive testing — Ultrasonic testing — Vocabulary*

EN 16018, *Non-destructive testing — Terminology — Terms used in ultrasonic testing with phased arrays*

EN 10025-2, *Hot rolled products of structural steels — Part 2: Technical delivery conditions for non-alloy structural steels*

3 Terms and definitions

For the purposes of this document, the terms and definitions given in ISO 5577 and EN 16018 apply.

ISO and IEC maintain terminological databases for use in standardization at the following addresses:

— IEC Electropedia: available at <http://www.electropedia.org/>

— ISO Online browsing platform: available at <http://www.iso.org/obp>

4 Abbreviated terms

ACG angle-corrected gain

FSH full-screen height

RF radio frequency

SDH side-drilled hole

SNR signal- to-noise ratio

TCG time-corrected gain

ISO 19675:2017(E)

5 Manufacture

5.1 Steel

Blocks shall be manufactured from steel grade S355J0, in accordance with EN 10025-2, or equivalent.

5.2 Pre-machining and heat treatment

5.2.1 Raw blocks

Raw blocks shall be rough-machined to a dimension of 320 mm × 120 mm × 30 mm before heat treatment.

5.2.2 Heat treatment

The heat treatment shall consist of:

- 1) austenitizing at 920 °C for 30 min;
- 2) rapid cooling (quenching) in water;
- 3) tempering by heating to 650 °C for 3 h;
- 4) cooling in still air.

5.2.3 Checking prior to final machining

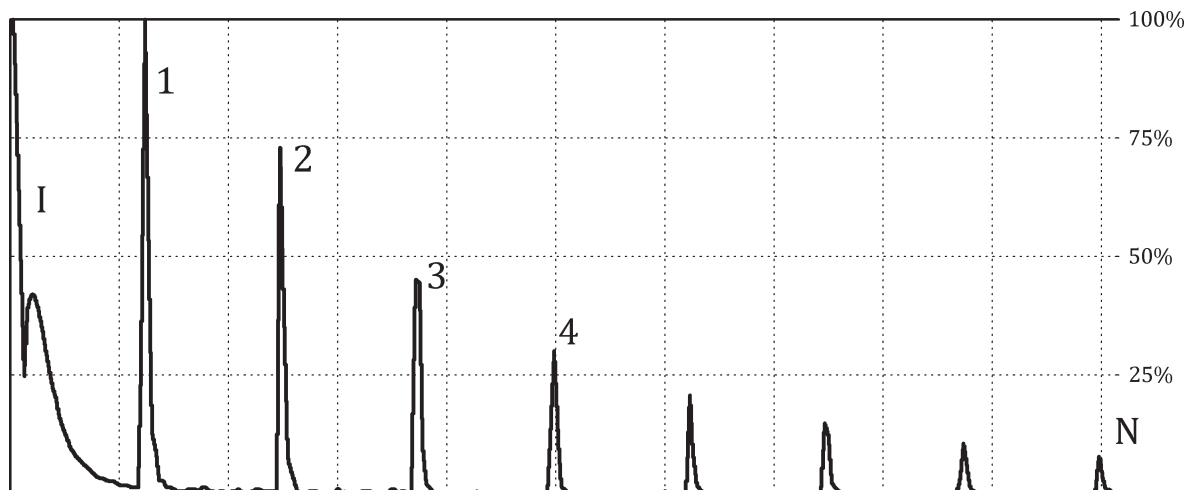
It is recommended to pre-machine the block to the following dimensions: 305 mm × 101 mm × 26,5 mm.

All external surfaces shall be pre-machined to a roughness value not greater than 1,6 µm R_a .

The pre-machined block shall be in accordance with the following.

- a) It shall be free from internal discontinuities. For this purpose, an ultrasonic test shall be carried out after heat treatment, with a longitudinal wave straight-beam probe of at least 10 MHz nominal centre frequency and having a transducer size of 10 mm to 15 mm. The block shall be checked on all four long faces to cover the complete volume. With the probe positioned on the largest face of the block, the instrument's gain shall be set to achieve a grain scatter noise of 10 % of full screen height. No echo shall have an amplitude greater than that of the grain scatter noise;
- b) It shall be isotropic for transverse and longitudinal waves proved by velocity measurements in accordance with [Annex A](#) (see [A.3](#)). Probes shall be located around the mid-position of each of the three faces;
- c) It shall present low sound attenuation.

NOTE Absolute measurements of attenuation may be difficult to obtain because echo amplitudes depend on many factors. The significance of attenuation can be estimated by simple qualitative tests. Relative attenuation measurements can be made by examining the exponential decay of multiple back wall reflections [a satisfactory attenuation generally is proven by the observation of at least four echoes above of 25 % of FSH when a probe as recommended in [5.2.3 a\)](#) is used]. See [Figure 1](#).



Key

- I initial pulse
1, 2, 3, 4... N multiple back wall echoes

Figure 1 — Acceptable sound attenuation

5.3 Final machining

5.3.1 Dimensions and surface finish

The dimensions and tolerances of the phased array calibration block shall be determined and recorded in accordance with [Annex A](#) (see [A.2](#)) and shall be in accordance with [Figure 2](#). All external surfaces shall be machined to a roughness value not greater than $0,8 \mu\text{m} R_a$.

5.3.2 Reference marks

Permanent reference marks shall be engraved on the block in accordance with [Figure 3](#) and [Table 1](#).

Reference marks shall be regular and not too deep (approx. $0,1 \text{ mm}$ max.) and shall not be generated by a metal deformation process. Stamping shall not be used. Etching or laser engraving are the preferred marking processes.

5.3.3 Velocity checks

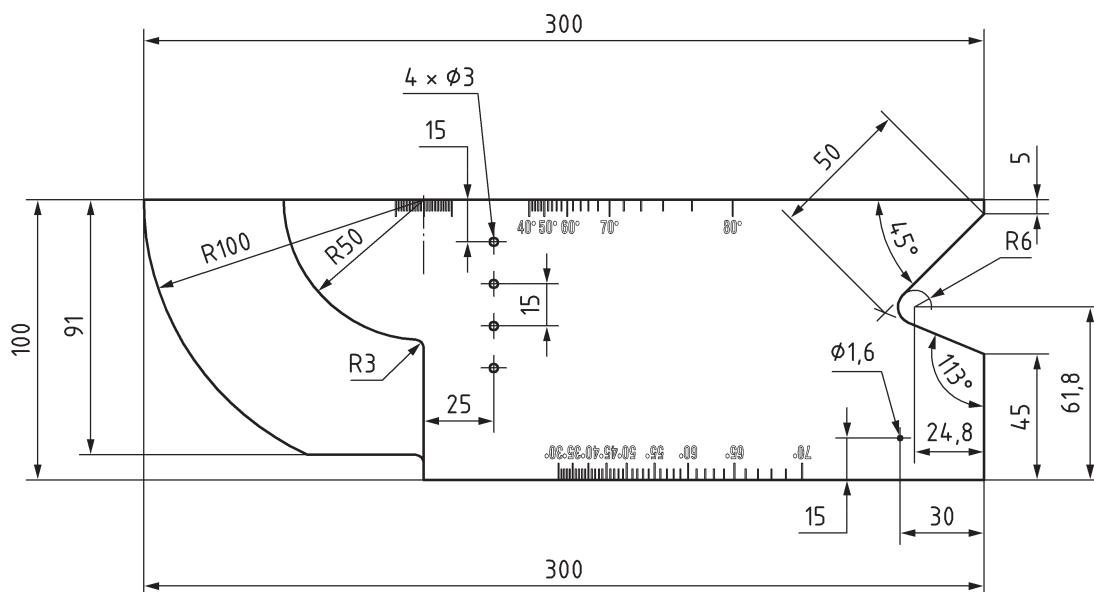
The velocities of longitudinal and transverse waves shall be determined and recorded in accordance with [Annex A](#) (see [A.3](#)).

6 Marking

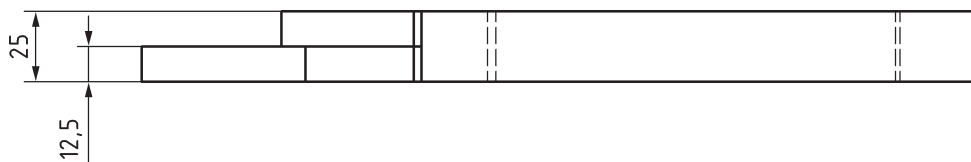
The block shall be permanently marked, in the area shown in [Figure 2 c\)](#), with the following:

- a reference to this document (i.e. ISO 19675:2016);
- the manufacturer's serial number and trade mark;
- the steel grade used to make the block.

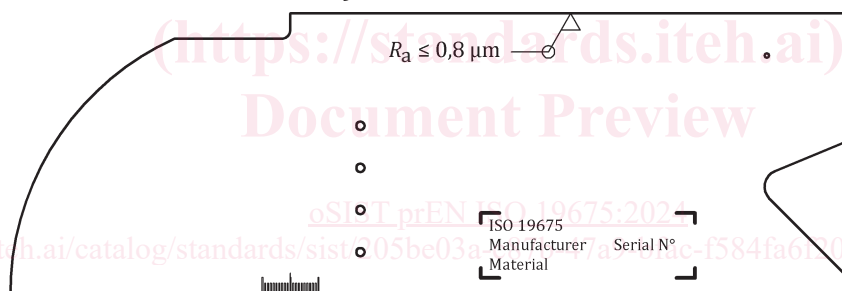
ISO 19675:2017(E)



a) Front view



b) Bottom view



c) Back view

Tolerances:

Reflector tolerance per chart, Overall block size tolerance $\pm 0,1$ mm.

Remove all burrs, break all edges, no sharp corners. Mill all surfaces, surface finish, all over $R_a \leq 0,8$ μm .

Machining Tolerances for reflectors and marks

- a) hole diameters, $\pm 0,2$ mm c) central position of reference reflectors, $\pm 0,1$ mm
 b) all pertinent angles, $\pm 1^\circ$ d) angle identification and index mark lengths, $\pm 0,4$ mm

Figure 2 — Block dimensions with tolerances