

FINAL
DRAFT

INTERNATIONAL
STANDARD

ISO/FDIS
5743

ISO/TC 29/SC 10

Secretariat: DIN

Voting begins on:
2021-08-31

Voting terminates on:
2021-10-26

Pliers and nippers — General technical requirements

Pinces et tenailles — Spécifications techniques générales

iTeh STANDARD PREVIEW
(standards.iteh.ai)

[ISO/FDIS 5743](#)

<https://standards.iteh.ai/catalog/standards/sist/e382cb37-6c31-454f-a52b-0097a64820e5/iso-fdis-5743>

RECIPIENTS OF THIS DRAFT ARE INVITED TO SUBMIT, WITH THEIR COMMENTS, NOTIFICATION OF ANY RELEVANT PATENT RIGHTS OF WHICH THEY ARE AWARE AND TO PROVIDE SUPPORTING DOCUMENTATION.

IN ADDITION TO THEIR EVALUATION AS BEING ACCEPTABLE FOR INDUSTRIAL, TECHNOLOGICAL, COMMERCIAL AND USER PURPOSES, DRAFT INTERNATIONAL STANDARDS MAY ON OCCASION HAVE TO BE CONSIDERED IN THE LIGHT OF THEIR POTENTIAL TO BECOME STANDARDS TO WHICH REFERENCE MAY BE MADE IN NATIONAL REGULATIONS.



Reference number
ISO/FDIS 5743:2021(E)

© ISO 2021

iTeh STANDARD PREVIEW
(standards.iteh.ai)

ISO/FDIS 5743

<https://standards.iteh.ai/catalog/standards/sist/e382cb37-6c31-454f-a52b-0097a64820e5/iso-fdis-5743>



COPYRIGHT PROTECTED DOCUMENT

© ISO 2021

All rights reserved. Unless otherwise specified, or required in the context of its implementation, no part of this publication may be reproduced or utilized otherwise in any form or by any means, electronic or mechanical, including photocopying, or posting on the internet or an intranet, without prior written permission. Permission can be requested from either ISO at the address below or ISO's member body in the country of the requester.

ISO copyright office
CP 401 • Ch. de Blandonnet 8
CH-1214 Vernier, Geneva
Phone: +41 22 749 01 11
Email: copyright@iso.org
Website: www.iso.org

Published in Switzerland

Contents

	Page
Foreword	iv
1 Scope	1
2 Normative references	1
3 Terms and definitions	1
4 Handles	1
5 Heads	3
5.1 Joint	3
5.2 Jaws	3
6 Designation	4
6.1 Nippers	4
6.2 Gripping and dual-purpose pliers	4
7 Marking	4
Bibliography	5

iTeh STANDARD PREVIEW (standards.iteh.ai)

ISO/FDIS 5743

<https://standards.iteh.ai/catalog/standards/sist/e382cb37-6c31-454f-a52b-0097a64820e5/iso-fdis-5743>

Foreword

ISO (the International Organization for Standardization) is a worldwide federation of national standards bodies (ISO member bodies). The work of preparing International Standards is normally carried out through ISO technical committees. Each member body interested in a subject for which a technical committee has been established has the right to be represented on that committee. International organizations, governmental and non-governmental, in liaison with ISO, also take part in the work. ISO collaborates closely with the International Electrotechnical Commission (IEC) on all matters of electrotechnical standardization.

The procedures used to develop this document and those intended for its further maintenance are described in the ISO/IEC Directives, Part 1. In particular, the different approval criteria needed for the different types of ISO documents should be noted. This document was drafted in accordance with the editorial rules of the ISO/IEC Directives, Part 2 (see www.iso.org/directives).

Attention is drawn to the possibility that some of the elements of this document may be the subject of patent rights. ISO shall not be held responsible for identifying any or all such patent rights. Details of any patent rights identified during the development of the document will be in the Introduction and/or on the ISO list of patent declarations received (see www.iso.org/patents).

Any trade name used in this document is information given for the convenience of users and does not constitute an endorsement.

For an explanation of the voluntary nature of standards, the meaning of ISO specific terms and expressions related to conformity assessment, as well as information about ISO's adherence to the World Trade Organization (WTO) principles in the Technical Barriers to Trade (TBT), see www.iso.org/iso/foreword.html.

This document was prepared by Technical Committee ISO/TC 29, *Small tools*, Subcommittee SC 10, *Assembly tools for screws and nuts, pliers and nippers*.

This fourth edition cancels and replaces the third edition (ISO 5743:2004), which has been technically revised.

The main changes compared to the previous edition are as follows:

- requirements against accidental pinching of the hands are more specified.

Any feedback or questions on this document should be directed to the user's national standards body. A complete listing of these bodies can be found at www.iso.org/members.html.

Pliers and nippers — General technical requirements

1 Scope

This document specifies the general technical requirements to be met by pliers and nippers.

It does not specify insulating or antistatic characteristics of handle coatings. Plastic coatings or plastic sleeves are intended for gripping comfort only.

This document is only applicable to pliers for which ISO standards exist.

2 Normative references

The following documents are referred to in the text in such a way that some or all of their content constitutes requirements of this document. For dated references, only the edition cited applies. For undated references, the latest edition of the referenced document (including any amendments) applies.

ISO 5742, *Pliers and nippers — Nomenclature*

ISO 5744, *Pliers and nippers — Methods of test*

iTeh STANDARD PREVIEW

3 Terms and definitions (standards.iteh.ai)

No terms and definitions are listed in this document.

ISO and IEC maintain terminological databases for use in standardization at the following addresses:

- ISO Online browsing platform: available at <https://www.iso.org/obp>
- IEC Electropedia: available at <https://www.electropedia.org/>

4 Handles

Handles of pliers shall be shaped to afford a comfortable grip and shall prevent accidental bruising or clamping.

To prevent bruising of skin, clear-cut edges should be avoided, e.g. by designing the edges of the gripping zone with a radius, bevel or chamfer > 2 mm (see [Figure 1](#)) or similar solutions with a distance between the handles smaller than 10 mm.

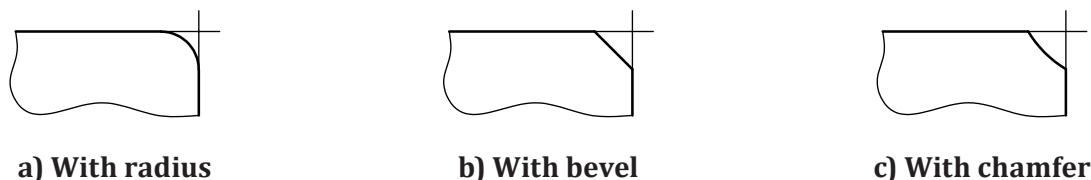


Figure 1 — Possible edge designs for pliers' handles

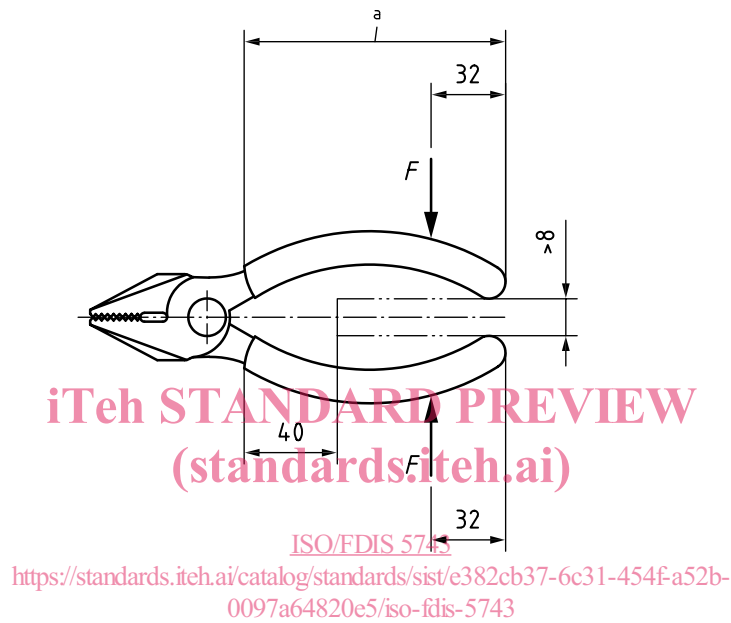
To avoid bruising of skin and clamping of fingers, pliers having a nominal length > 160 mm shall always have a minimum gap of 10 mm width between the handles in the outer areas of the handles. This outer

area starts 40 mm outwards from the anterior end of the gripping zone (see [Figure 2](#) and [Figure 3](#) for examples).

NOTE Concerning pliers having a nominal length shorter than 160 mm, the operational forces applied to the pliers handles are expected to stay below a level that can be a reason of serious harm.

For pliers' handles being covered by a layer of plastic material of nearly consistent thickness, the area covered by the plastic is regarded as being the gripping zone. For pliers' handles equipped with shaped grips featuring a kind of collar or bulge at the front end, the gripping zone (see footnote ^a in [Figure 2](#) and [Figure 3](#)) is the area outwards from the collar or bulge. For pliers' handles showing no clearly defined gripping zone, the outer 90 mm of the handles are regarded as gripping zone.

Dimensions in millimetres



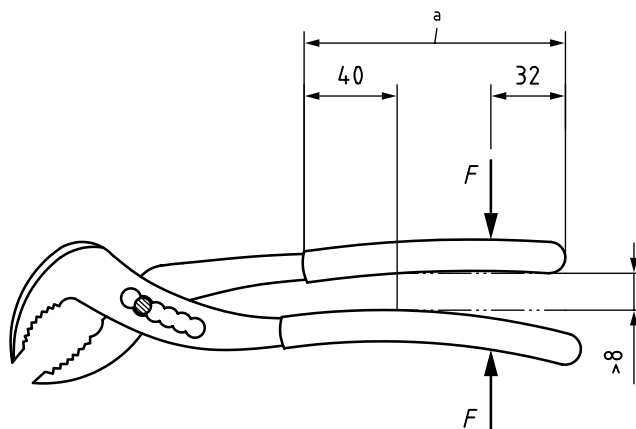
Key

F hand force

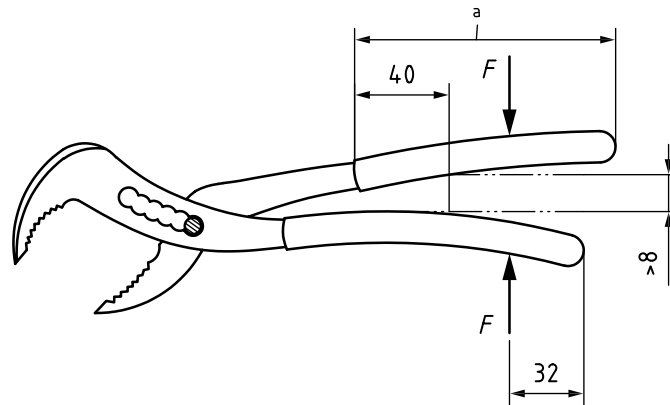
^a Gripping zone.

Figure 2 — Gripping zone on an engineer's pliers (see ISO 5746)

Dimensions in millimetres



a) Multiple slip-joint plier in a narrow position



b) Multiple slip-joint plier in a wide position

Key

- F hand force
 a Gripping zone.

Figure 3 — Gripping zone on a multiple slip-joint plier (see ISO 8976)

Evaluation shall be carried out while the handles are squeezed by a hand force F of 50 N to be applied 32 mm inwards from the outer end of the pliers' handles (Figure 2).

For multiple slip-joint pliers every position shall be tested. The hand force F of 50 N shall be applied 32 mm inwards from the outer end of the shorter length handle (Figure 3).

For pliers provided with a comfort grip, the width of the handles shall include the thickness of the comfort grip.

<https://standards.iteh.ai/catalog/standards/sist/e382cb37-6c31-454f-a52b-0097a64820e5/iso-fdis-5743>

5 Heads

5.1 Joint

The joint shall be constructed to allow free movement from the closed to the open position and shall be free from excessive side movement in any position that can impair the function of the tool.

5.2 Jaws

For all pliers the jaws shall meet at the point. Pliers and nippers for which other specifications are laid down in the dimensional standards are excluded.

Cutting edge of cutting pliers shall have a minimum hardness of 55 HRC.

The hardness of the gripping surfaces for all pliers shall be a minimum of 42 HRC. The hardness shall be measured in accordance with ISO 5744.

NOTE Rockwell C hardness (HRC) is defined in ISO 6508-1.

6 Designation

6.1 Nippers

The principal information for the designation of nippers shall be given in the following order and in accordance with ISO 5742:

- a) designation and number of nomenclature;
- b) ISO standard concerned;
- c) dimensions;
- d) direction and position of cutting edges;
- e) type and shape of cutting edges;
- f) type of joint;
- g) shape of handles in the longitudinal direction;
- h) field of application (only if required for better understanding).

6.2 Gripping and dual-purpose pliers

The principal information for the designation of gripping and dual-purpose pliers shall be given in the following order and in accordance with ISO 5742:

- a) designation and number of nomenclature;
- b) ISO standard concerned; [ISO/FDIS 5743](https://standards.iteh.ai/catalog/standards/sist/e382cb37-6c31-454f-a52b-0097a64820e5/iso-fdis-5743)
- c) dimensions; <https://standards.iteh.ai/catalog/standards/sist/e382cb37-6c31-454f-a52b-0097a64820e5/iso-fdis-5743>
- d) shape of nose (end view at the point);
- e) shape of nose (in the longitudinal direction);
- f) shape of back of the nose;
- g) whether with or without serrations;
- h) whether with or without grooves;
- i) type of joint;
- j) shape of handles in the longitudinal direction;
- k) field of application; for dual-purpose pliers, specify the test wire (only if required for better understanding).

7 Marking

Pliers shall be marked with at least the name or trademark of the manufacturer or responsible supplier.

Bibliography

- [1] ISO 5746, *Pliers and nippers — Engineer's and Lineman's pliers — Dimensions and test values*
- [2] ISO 6508-1, *Metallic materials — Rockwell hardness test — Part 1: Test method*
- [3] ISO 8976, *Pliers and nippers — Multiple slip joint pliers — Dimensions and test values*

iTeh STANDARD PREVIEW
(standards.iteh.ai)

[ISO/FDIS 5743](https://standards.iteh.ai/catalog/standards/sist/e382cb37-6c31-454f-a52b-0097a64820e5/iso-fdis-5743)

<https://standards.iteh.ai/catalog/standards/sist/e382cb37-6c31-454f-a52b-0097a64820e5/iso-fdis-5743>

iTeh STANDARD PREVIEW
(standards.iteh.ai)

ISO/FDIS 5743

<https://standards.iteh.ai/catalog/standards/sist/e382cb37-6c31-454f-a52b-0097a64820e5/iso-fdis-5743>