
**Pliers and nippers — Engineer's and
Lineman's pliers — Dimensions and
test values**

*Pinces et tenailles — Pinces universelles et pinces Lineman's —
Dimensions et valeurs d'essai*

iTeh STANDARD PREVIEW
(standards.iteh.ai)

[ISO 5746:2021](https://standards.iteh.ai/catalog/standards/sist/3b996ec9-6723-4c52-9a26-5ee5a27d9f9b/iso-5746-2021)

<https://standards.iteh.ai/catalog/standards/sist/3b996ec9-6723-4c52-9a26-5ee5a27d9f9b/iso-5746-2021>



iTeh STANDARD PREVIEW (standards.iteh.ai)

[ISO 5746:2021](https://standards.iteh.ai/catalog/standards/sist/3b996ec9-6723-4c52-9a26-5ee5a27d9f9b/iso-5746-2021)

<https://standards.iteh.ai/catalog/standards/sist/3b996ec9-6723-4c52-9a26-5ee5a27d9f9b/iso-5746-2021>



COPYRIGHT PROTECTED DOCUMENT

© ISO 2021

All rights reserved. Unless otherwise specified, or required in the context of its implementation, no part of this publication may be reproduced or utilized otherwise in any form or by any means, electronic or mechanical, including photocopying, or posting on the internet or an intranet, without prior written permission. Permission can be requested from either ISO at the address below or ISO's member body in the country of the requester.

ISO copyright office
CP 401 • Ch. de Blandonnet 8
CH-1214 Vernier, Geneva
Phone: +41 22 749 01 11
Email: copyright@iso.org
Website: www.iso.org

Published in Switzerland

Contents

Page

| | |
|--|----------|
| Foreword..... | iv |
| 1 Scope..... | 1 |
| 2 Normative references..... | 1 |
| 3 Terms and definitions..... | 1 |
| 4 Dimensions and test values..... | 1 |
| 4.1 Engineer's pliers..... | 1 |
| 4.2 Lineman's pliers..... | 3 |
| 5 Designation..... | 5 |
| 6 Marking..... | 5 |
| Bibliography..... | 6 |

iTeh STANDARD PREVIEW (standards.iteh.ai)

[ISO 5746:2021](https://standards.iteh.ai/catalog/standards/sist/3b996ec9-6723-4c52-9a26-5ee5a27d9f9b/iso-5746-2021)

<https://standards.iteh.ai/catalog/standards/sist/3b996ec9-6723-4c52-9a26-5ee5a27d9f9b/iso-5746-2021>

Foreword

ISO (the International Organization for Standardization) is a worldwide federation of national standards bodies (ISO member bodies). The work of preparing International Standards is normally carried out through ISO technical committees. Each member body interested in a subject for which a technical committee has been established has the right to be represented on that committee. International organizations, governmental and non-governmental, in liaison with ISO, also take part in the work. ISO collaborates closely with the International Electrotechnical Commission (IEC) on all matters of electrotechnical standardization.

The procedures used to develop this document and those intended for its further maintenance are described in the ISO/IEC Directives, Part 1. In particular, the different approval criteria needed for the different types of ISO documents should be noted. This document was drafted in accordance with the editorial rules of the ISO/IEC Directives, Part 2 (see www.iso.org/directives).

Attention is drawn to the possibility that some of the elements of this document may be the subject of patent rights. ISO shall not be held responsible for identifying any or all such patent rights. Details of any patent rights identified during the development of the document will be in the Introduction and/or on the ISO list of patent declarations received (see www.iso.org/patents).

Any trade name used in this document is information given for the convenience of users and does not constitute an endorsement.

For an explanation of the voluntary nature of standards, the meaning of ISO specific terms and expressions related to conformity assessment, as well as information about ISO's adherence to the World Trade Organization (WTO) principles in the Technical Barriers to Trade (TBT), see www.iso.org/iso/foreword.html.

This document was prepared by Technical Committee ISO/TC 29, *Small tools*, Subcommittee SC 10, *Assembly tools for screws and nuts, pliers and nippers*.

This fourth edition cancels and replaces the third edition (ISO 5746:2004), which has been technically revised.

The main changes compared to the previous edition are as follows:

- additional nominal length for engineer's pliers;
- introduction of minimum and maximum lengths for each nominal length;
- small adjustments according to the Renard series.

Any feedback or questions on this document should be directed to the user's national standards body. A complete listing of these bodies can be found at www.iso.org/members.html.

Pliers and nippers — Engineer's and Lineman's pliers — Dimensions and test values

1 Scope

This document specifies the principal dimensions of engineer's and Lineman's pliers and the test values for the pliers in order to verify their aptitude to function in conformity with ISO 5744. General technical requirements are given in ISO 5743.

The engineer's and Lineman's pliers illustrated in this document are examples only and are not intended to affect the manufacturer's design.

2 Normative references

The following documents are referred to in the text in such a way that some or all of their content constitutes requirements of this document. For dated references, only the edition cited applies. For undated references, the latest edition of the referenced document (including any amendments) applies.

ISO 5743, *Pliers and nippers — General technical requirements*

ISO 5744:2004, *Pliers and nippers — Methods of test*

3 Terms and definitions

No terms and definitions are listed in this document.

ISO and IEC maintain terminology databases for use in standardization at the following addresses:

- ISO Online browsing platform: available at <https://www.iso.org/obp>
- IEC Electropedia: available at <https://www.electropedia.org/>

4 Dimensions and test values

4.1 Engineer's pliers

The main dimensions of engineer's pliers are shown in [Figure 1](#) and given in [Table 1](#).

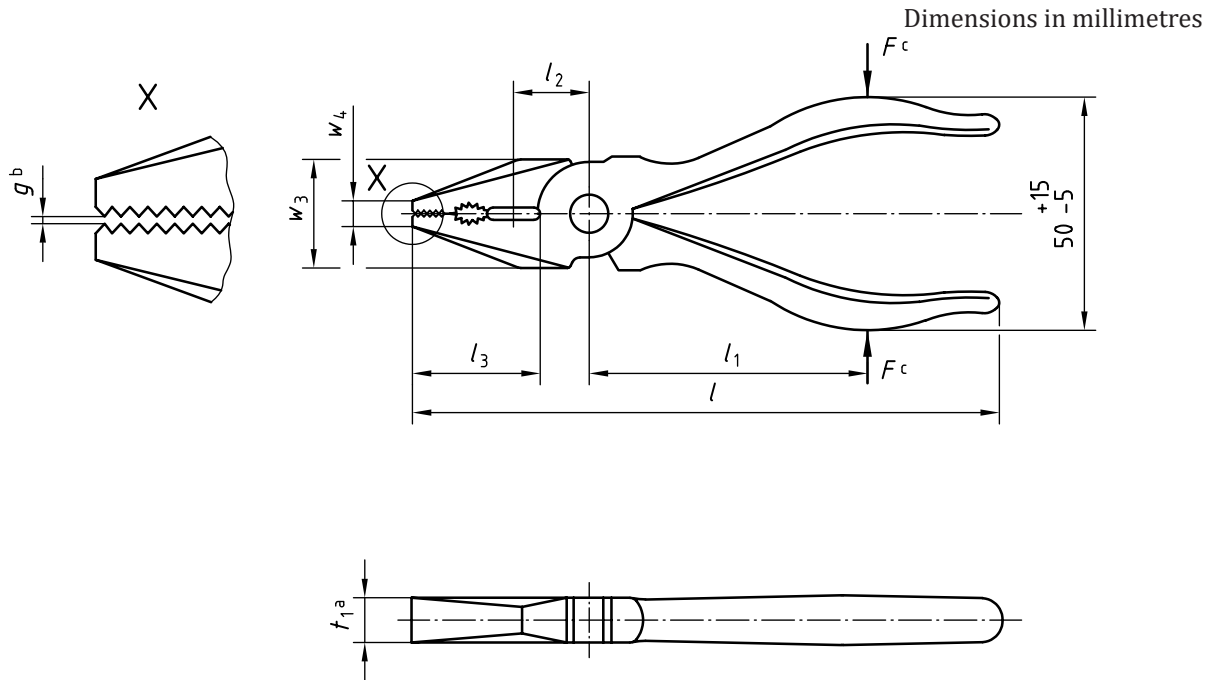
Engineer's pliers can be made with or without a joint cutter, at the manufacturer's discretion.

Engineer's pliers shall be tested in accordance with ISO 5744.

After the load test, the permanent set s shall not exceed the value given in [Table 2](#). If distance l_1 is not suitable for the load test, the formula given in ISO 5744:2004, 4.2 shall be used.

The cutting force, F_1 , shall not exceed the values given in [Table 2](#) when cutting the test wire of diameter d .

Pliers having a lever ratio differing from the values given in [Table 2](#) shall be checked for compliance using the formula given in ISO 5744:2004, 5.3.2.



- a The jaws may be tapered to a point over the length l_3 .
- b Measured with pliers closed.
- c F = load applied in load test or F_1 force applied in cutting test.

STANDARD PREVIEW
(standards.iteh.ai)

Figure 1 — Engineer's pliers

ISO 5746:2021
<https://standards.iteh.ai/catalog/standards/sist/3b996ec9-6723-4c52-9a26-5ee5a27d9f9b/iso-5746-2021>

Table 1 — Engineer's pliers, main dimensions

| Nominal length l | l_{\min} mm | l_{\max} mm | l_3 mm | $w_{3 \max}$ mm | $w_{4 \max}$ mm | $t_{1 \max}$ max. | g_{\max} mm |
|-----------------------|------------------|------------------|-------------|--------------------|--------------------|----------------------|------------------|
| 125 | 119 | 132 | 28 ± 3 | 20 | 5 | 9 | 0,3 |
| 140 | 133 | 149 | 30 ± 4 | 23 | 5,6 | 10 | 0,3 |
| 160 | 150 | 169 | 32 ± 5 | 25 | 6,3 | 11,2 | 0,4 |
| 180 | 170 | 189 | 36 ± 6 | 28 | 7,1 | 12,5 | 0,4 |
| 200 | 190 | 209 | 40 ± 8 | 32 | 8 | 14 | 0,5 |
| 220 | 210 | 234 | 45 ± 10 | 36 | 9 | 16 | 0,5 |
| 250 | 235 | 264 | 50 ± 12 | 40 | 10 | 18 | 0,6 |

Table 2 — Engineer's pliers, load and force application, test values

| Nominal length l | l_1 mm | l_2 mm | Cutting test | | Torsion test ^b | | Load test | |
|-----------------------|-------------|-------------|--|---|---------------------------|----------------------------------|------------------|---|
| | | | Diameter of medium hard test wire d^a mm | Maximum cutting force $F_{1\max}$ N | Torque T N·m | Maximum twist α_{\max} | Load F N | Maximum permanent set s_{\max}^c mm |
| 125 | 60 | 12 | 1,6 | 580 | 15 | 15° | 900 | 0,9 |
| 140 | 70 | 14 | 1,6 | 580 | 15 | 15° | 1 000 | 1 |
| 160 | 80 | 16 | 1,6 | 580 | 15 | 15° | 1 120 | 1,12 |
| 180 | 90 | 18 | 1,6 | 580 | 15 | 15° | 1 250 | 1,25 |
| 200 | 100 | 20 | 1,6 | 580 | 20 | 20° | 1 400 | 1,4 |
| 220 | 110 | 22 | 1,6 | 580 | 20 | 20° | 1 400 | 1,6 |
| 250 | 125 | 25 | 1,6 | 580 | 20 | 20° | 1 400 | 1,8 |

^a Data for medium hard test wire are given in ISO 5744.

^b When carried out in accordance with the torsion test for flat nose pliers given in ISO 5744.

^c $s = w_1 - w_2$ (see ISO 5744).

4.2 Lineman's pliers

The main dimensions of Lineman's pliers are shown in Figure 2 and given in Table 3.

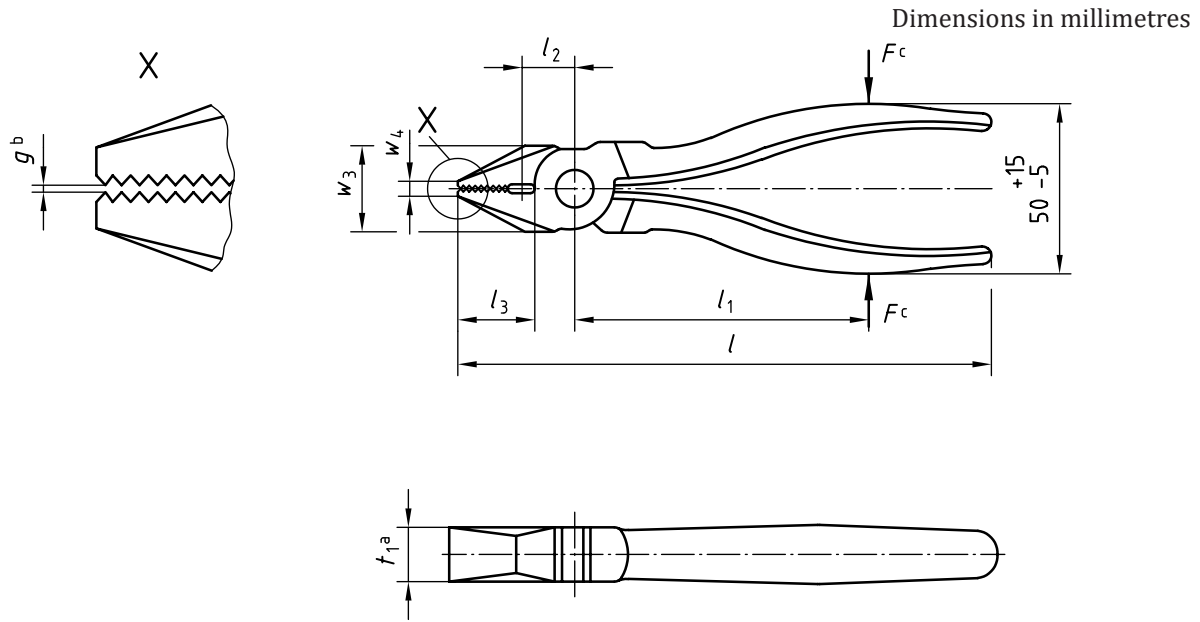
Lineman's pliers can be made with or without a joint cutter, at manufacturer's discretion.

Lineman's pliers shall be tested in accordance with ISO 5744.

After the load test, the permanent set s shall not exceed the value given in Table 4. If distance l_1 is not suitable for the load test, the formula given in ISO 5744:2004, 4.2 shall be used.

The cutting force, F_1 , shall not exceed the values given in Table 4 when cutting the test wire of diameter d .

Pliers having a lever ratio differing from the values given in Table 4 shall be checked for compliance using the formula given in ISO 5744:2004, 5.3.2.



- a The jaws may be tapered to a point over the length l_3 .
- b Measured with pliers closed.
- c F = load applied in load test or F_1 force applied in cutting test.

STANDARD PREVIEW
(standard) (hai)
Figure 2 Lineman's pliers

ISO 5746:2021
Table 3 — Lineman's pliers, main dimensions
<https://standards.itec.ai/catalog/standards/sist/5b996cc9-6723-4c52-9a26-5ee5a27d919b/iso-5746-2021>

| Nominal length l | l_{min} | l_{max} | $l_3 \text{ max}$ | $w_3 \text{ max}$ | $w_4 \text{ max}$ | $t_1 \text{ max}$ | g_{max} |
|-----------------------|-----------|-----------|-------------------|-------------------|-------------------|-------------------|-----------|
| | mm | mm | mm | mm | mm | mm | mm |
| 165 | 153 | 177 | 32 ± 7 | 27 | 9 | 17 | 1,1 |
| 190 | 178 | 202 | 33 ± 7 | 30 | 9 | 17 | 1,1 |
| 215 | 203 | 232 | 38 ± 8 | 38 | 10 | 20 | 1,3 |
| 250 | 233 | 267 | 40 ± 8 | 38 | 10 | 20 | 1,3 |

Table 4 — Lineman's pliers, load and force application, test values

| Nominal length l | l_1 | l_2 | Cutting test | | Torsion test ^b | | Load test | |
|-----------------------|-------|-------|--|--|---------------------------|--|-------------|---|
| | | | Diameter of medium hard test wire d^a | Maximum cutting force $F_{1 \text{ max}}$ | Torque T | Maximum twist α_{max} | Load F | Maximum permanent set s_{max}^c |
| | mm | mm | mm | N | N·m | | N | mm |
| 165 | 90 | 16 | 1,6 | 580 | 15 | 15° | 1 120 | 1,25 |
| 190 | 100 | 18 | 1,6 | 580 | 15 | 15° | 1 250 | 1,4 |
| 215 | 120 | 20 | 1,6 | 580 | 20 | 15° | 1 400 | 1,6 |

^a Data for medium hard test wire are given in ISO 5744.

^b When carried out in accordance with the torsion test for flat nose pliers given in ISO 5744.

^c $s = w_1 - w_2$ (see ISO 5744).

Table 4 (continued)

| Nominal length l | l_1 mm | l_2 mm | Cutting test | | Torsion test ^b | | Load test | |
|---|-------------|-------------|--|---|---------------------------|---------------------------------------|------------------|---|
| | | | Diameter of medium hard test wire d^a mm | Maximum cutting force $F_{1\max}$ N | Torque T N·m | Maximum twist α_{\max} ° | Load F N | Maximum permanent set s_{\max}^c mm |
| 250 | 140 | 22 | 1,6 | 580 | 20 | 15° | 1 400 | 2 |
| <p>^a Data for medium hard test wire are given in ISO 5744.</p> <p>^b When carried out in accordance with the torsion test for flat nose pliers given in ISO 5744.</p> <p>^c $s = w_1 - w_2$ (see ISO 5744).</p> | | | | | | | | |

5 Designation

EXAMPLE 1 Engineer's pliers, number 303 in accordance with ISO 5742, with a nominal length, l , of 160 are designated as follows:

Engineer's pliers 303 - ISO 5746 - 160

EXAMPLE 2 Lineman's pliers, number 304 in accordance with ISO 5742, with a nominal length, l , of 190 are designated as follows:

Lineman's pliers 304 - ISO 5746 - 190

iTeh STANDARD PREVIEW
(standards.iteh.ai)

6 Marking

Marking shall be in accordance with ISO 5743.

[ISO 5746:2021](https://standards.iteh.ai/standards/sist/3b996ec9-6723-4c52-9a26-5ee5a27d9f9b/iso-5746-2021)

<https://standards.iteh.ai/standards/sist/3b996ec9-6723-4c52-9a26-5ee5a27d9f9b/iso-5746-2021>

Bibliography

- [1] ISO 5742, *Pliers and nippers — Nomenclature*

iTeh STANDARD PREVIEW
(standards.iteh.ai)

[ISO 5746:2021](https://standards.iteh.ai/catalog/standards/sist/3b996ec9-6723-4c52-9a26-5ee5a27d9f9b/iso-5746-2021)

<https://standards.iteh.ai/catalog/standards/sist/3b996ec9-6723-4c52-9a26-5ee5a27d9f9b/iso-5746-2021>