



Standard Test Method for Motor Life Evaluation of an Electric Motorized Nozzle for Central Vacuum Cleaning Systems¹

This standard is issued under the fixed designation F1601; the number immediately following the designation indicates the year of original adoption or, in the case of revision, the year of last revision. A number in parentheses indicates the year of last reapproval. A superscript epsilon (ϵ) indicates an editorial change since the last revision or reapproval.

1. Scope

1.1 This test method covers the motorized nozzle used in household or commercial central vacuum cleaning systems.

1.2 This test method provides a test for determining operating motor life in hours by an accelerated laboratory procedure. The motors are tested while mounted and operated in the motorized nozzle.

1.3 This test method covers only the motorized nozzle. The system used to provide the airflow source is not under consideration.

1.4 This test method is limited to the determination of motor life for an electrically powered household or commercial motorized nozzle.

1.5 The values stated in inch-pound units are to be regarded as the standard. The values given in parentheses are for information only.

1.6 *This standard does not purport to address all of the safety concerns, if any, associated with its use. It is the responsibility of the user of this standard to establish appropriate safety and health practices and determine the applicability of regulatory limitations prior to use.*

2. Referenced Documents

2.1 *ASTM Standards:*²

[D75 Practice for Sampling Aggregates](#)

[E337 Test Method for Measuring Humidity with a Psychrometer \(the Measurement of Wet- and Dry-Bulb Temperatures\)](#)

[F431 Specification for Air Performance Measurement Plenum Chamber for Vacuum Cleaners](#)

[F608 Test Method for Evaluation of Carpet Embedded Dirt](#)

¹ This test method is under the jurisdiction of ASTM Committee F11 on Vacuum Cleaners and is the direct responsibility of Subcommittee F11.30 on Durability-Reliability.

Current edition approved Nov. 1, 2011. Published March 2012. Originally approved in 1996. Last previous edition approved in 2006 as F1601 – 01 (2006). DOI: 10.1520/F1601-01R11.

² For referenced ASTM standards, visit the ASTM website, www.astm.org, or contact ASTM Customer Service at service@astm.org. For *Annual Book of ASTM Standards* volume information, refer to the standard's Document Summary page on the ASTM website.

[Removal Effectiveness of Household/Commercial Vacuum Cleaners F655 Specification for Test Carpets and Pads for Vacuum Cleaner Testing](#)

3. Terminology

3.1 *Definitions of Terms Specific to This Standard:*

3.1.1 *motor life*—limited by failure of the motor; failure is motor stoppage.

3.1.1.1 *Discussion*—Any failure integral with the motor, such as armature assembly, field assembly, housing(s) bearings, motor cooling fan, carbon brush assemblies, motor-mounted non-resettable thermal protective devices, or any other component judged to be integral with the motor, shall be judged as motor stoppage.

4. Significance and Use

4.1 The test results provide an indication of the motor life of an electric motorized nozzle. The end of motor life will be judged in accordance with Section 3.

5. Apparatus and Materials

5.1 *Voltage Regulator System*—to control the input voltage to the motorized nozzle. The regulator system must be capable of maintaining the motorized nozzle's rated voltage $\pm 1\%$ and rated frequency ± 1 Hz with a wave form that is essentially sinusoidal, with 3 % maximum harmonic distortion for the duration of the test.

5.2 *Voltmeter*, to provide measurements accurate to within $\pm 1\%$.

5.3 *Timer and Switch*, having the capacity to control the off/on duty cycle of the nozzle and air flow source during the life test.

5.4 *Wattmeter*, to provide measurements accurate to within $\pm 1\%$.

5.5 *Sharp Edge Orifice Plate*, with a 1¼-in. (32-mm) diameter and in accordance with the orifice plate illustrated in Specification [F431](#).

5.6 *Plenum Chamber*, conforming to the plenum chamber specifications given in Specification [F431](#).

5.7 *Water Manometer*, or equivalent instrument, measuring in increments of 0.1 in. (2.54 mm).

5.8 *Barometer*, with an accuracy of ± 0.05 in. (1.27 mm) Hg, capable of measuring the uncorrected barometric pressure (test station pressure) with scale divisions of 0.02 in. (0.51 mm) or finer.

5.9 *Thermometer*, having a range of at least 18 to 80°F (–8 to +27°C) and graduated in 1°F (0.5°C) increments.

5.10 *Psychrometer*, meeting the requirements of Test Method E337, with thermometers graduated in increments of 1°F (0.5°C).

5.11 *Test Carpet*, conforming to the specifications for level loop carpet as described in Specification F655. A carpet that provides equivalent nozzle loading results may be used.

5.12 *Carpet Padding*, conforming to the padding described in Specification F655.

5.13 *Test Cleaner or Airflow Source*—The motorized nozzle motor life evaluation tests shall be conducted using the airflow source and voltage resulting from the components that compose the combination system with which the motorized nozzle is to be used. If used with several systems, the one with the maximum airflow shall be used.

5.13.1 *Option*—A simulated airflow source and adjusted voltage may be used if they are equal to or exceed the central vacuum cleaning system with which the motorized nozzle is to be used.

5.14 *Test Fixture*—A moving surface, covered by the test carpet supported on the test pad, which moves with a horizontal reciprocating motion, for a stroke distance of 27 in. (686 mm) in each direction at the average rate of 1.8 ft/s (0.55 mps), resulting in 24 cpm (forward and back). This motion shall be generated by rotating a 13.5-in. (343-mm) radius arm that shall be connected to the platform with a suitable link (see Fig. 1). This device shall provide means to hold the motorized nozzle fixed securely by its handle in the operating position while it is in contact with the reciprocating surface. The motorized nozzle shall be restrained suitably in the horizontal operating plane yet allowed freedom of movement in the vertical plane for operation.

5.14.1 *Option*—The motorized nozzle can be subjected to the same cycle as that stated in 5.14 while the carpeted platform is held stationary (see Fig. 1).

5.14.2 For either option, the reciprocating motion shall follow the same duty cycle as that specified for the vacuum cleaner or airflow source and motorized nozzle in 7.7.

5.14.3 The motorized nozzle’s airflow source shall be stationary and positioned so that the hose will be submitted to minimum stress.

5.15 *Test Dirt*, Wedron sand/talc mixture. See Annex A1.

6. Sampling

6.1 Test a minimum of three units (or a larger sample size, if desired) of similar models using the same motor style and amperage. Select all samples at random in accordance with good statistical practice. The results shall provide an 80 % confidence level within ± 10 % of the mean value. If not, test additional samples or reduce the results by the penalty factor as calculated in 7.12.

7. Procedure for Motor Life Evaluation

7.1 Determine the initial performance. The suction of the cleaner or airflow source, with the motorized nozzle attached, is to be determined and will be used to ensure that no leaks develop to reduce load on the nozzle during the test. For this initial test, the nozzle opening is to be sealed to the ASTM plenum chamber with a manometer (or equivalent) connected to the plenum chamber. The motorized nozzle is to have the agitator drive connected and a new filter bag in the cleaner or airflow source. The agitator shall be operating freely with the handle in the operating position, as shown in Fig. 1.

7.1.1 With the motorized nozzle opening sealed to the plenum chamber and without an orifice plate in the holder, energize both the cleaner or airflow source and the motorized nozzle at its rated voltage ± 1 % and rated frequency ± 1 Hz for 5 min. to stabilize motor temperatures. If either component has a dual nameplate voltage rating, conduct testing at the highest voltage.

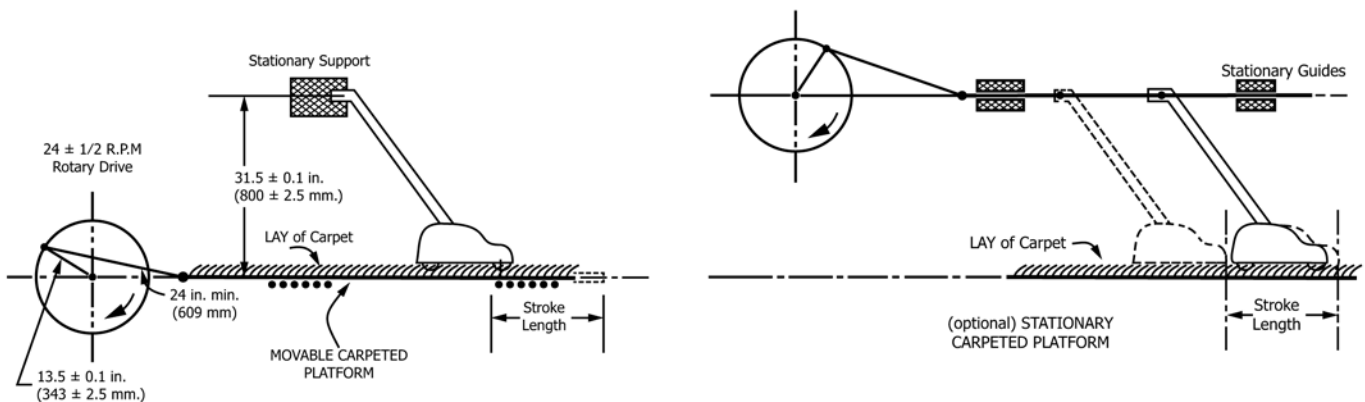


FIG. 1 Test Fixture