
**Plastics — Polytetrafluoroethylene
(PTFE) semi-finished products —**

**Part 2:
Preparation of test specimens and
determination of properties**

iTeh STANDARD PREVIEW
Plastiques — Semi-produits en polytétrafluoroéthylène (PTFE) —
Partie 2: Préparation des éprouvettes et détermination des propriétés
(standards.iteh.ai)

ISO 13000-2:2021

<https://standards.iteh.ai/catalog/standards/sist/b0fb27c8-82bf-43d9-a149-b17282063844/iso-13000-2-2021>



iTeh STANDARD PREVIEW
(standards.iteh.ai)

ISO 13000-2:2021

<https://standards.iteh.ai/catalog/standards/sist/b0fb27c8-82bf-43d9-a149-b17282063844/iso-13000-2-2021>



COPYRIGHT PROTECTED DOCUMENT

© ISO 2021

All rights reserved. Unless otherwise specified, or required in the context of its implementation, no part of this publication may be reproduced or utilized otherwise in any form or by any means, electronic or mechanical, including photocopying, or posting on the internet or an intranet, without prior written permission. Permission can be requested from either ISO at the address below or ISO's member body in the country of the requester.

ISO copyright office
CP 401 • Ch. de Blandonnet 8
CH-1214 Vernier, Geneva
Phone: +41 22 749 01 11
Email: copyright@iso.org
Website: www.iso.org

Published in Switzerland

Contents

	Page
Foreword.....	iv
1 Scope.....	1
2 Normative references.....	1
3 Terms and definitions.....	2
4 Sampling.....	2
5 Preparation of test specimens.....	2
6 Testing of semi-finished PTFE products.....	2
6.1 General.....	2
6.2 Linear dimensions.....	2
6.3 Tensile properties.....	3
6.3.1 Tensile specimens.....	3
6.3.2 Procedure.....	7
6.4 Density.....	7
6.5 Loss in mass at 300 °C.....	7
6.6 Dimensional stability — General method.....	8
6.6.1 Apparatus.....	8
6.6.2 Test specimen.....	8
6.6.3 Procedure.....	8
6.6.4 Expression of results.....	8
6.7 Dimensional stability — Special method for the determination of the dimensional and the geometrical stability of thick-walled tubes.....	8
6.7.1 Apparatus.....	8
6.7.2 Test specimen.....	8
6.7.3 Procedure.....	9
6.7.4 Expression of results.....	9
6.8 Dielectric strength.....	9
6.9 Hardness.....	9
6.10 Colour.....	9
6.11 Resistance to environmental stress cracking (ESC).....	9
Bibliography.....	10

Foreword

ISO (the International Organization for Standardization) is a worldwide federation of national standards bodies (ISO member bodies). The work of preparing International Standards is normally carried out through ISO technical committees. Each member body interested in a subject for which a technical committee has been established has the right to be represented on that committee. International organizations, governmental and non-governmental, in liaison with ISO, also take part in the work. ISO collaborates closely with the International Electrotechnical Commission (IEC) on all matters of electrotechnical standardization.

The procedures used to develop this document and those intended for its further maintenance are described in the ISO/IEC Directives, Part 1. In particular, the different approval criteria needed for the different types of ISO documents should be noted. This document was drafted in accordance with the editorial rules of the ISO/IEC Directives, Part 2 (see www.iso.org/directives).

Attention is drawn to the possibility that some of the elements of this document may be the subject of patent rights. ISO shall not be held responsible for identifying any or all such patent rights. Details of any patent rights identified during the development of the document will be in the Introduction and/or on the ISO list of patent declarations received (see www.iso.org/patents).

Any trade name used in this document is information given for the convenience of users and does not constitute an endorsement.

For an explanation of the voluntary nature of standards, the meaning of ISO specific terms and expressions related to conformity assessment, as well as information about ISO's adherence to the World Trade Organization (WTO) principles in the Technical Barriers to Trade (TBT), see www.iso.org/iso/foreword.html.

This document was prepared by Technical Committee ISO/TC 61, *Plastics*, Subcommittee SC 9, *Thermoplastic materials*, in collaboration with the European Committee for Standardization (CEN) Technical Committee CEN/TC 249, *Plastics*, in accordance with the Agreement on technical cooperation between ISO and CEN (Vienna Agreement).

This third edition cancels and replaces the second edition (ISO 13000-2:2005), which has been technically revised.

The main changes compared to the previous edition are as follows:

- in [Clause 2](#), normative references have been updated;
- the former Figure 2 has been split into two figures ([Figures 2](#) and [3](#)) and subsequent figures have been renumbered;
- in [Figures 2](#) and [3](#), new dimensions (thickness $1,5 \pm 0,25$ and $1,0 \pm 0,20$) have been added;
- in [Clause 6](#):
 - [Table 1](#) has been edited to compliment [Figures 2](#) and [3](#);
 - a new [Table 2](#) has been added to compliment [Figure 4](#);
- former Annex A has been changed to Bibliography, and titles for standards have been corrected.

A list of all parts in the ISO 13000 series can be found on the ISO website.

Any feedback or questions on this document should be directed to the user's national standards body. A complete listing of these bodies can be found at www.iso.org/members.html.

Plastics — Polytetrafluoroethylene (PTFE) semi-finished products —

Part 2: Preparation of test specimens and determination of properties

WARNING — Persons using this document should be familiar with normal laboratory practice, if applicable. This document does not purport to address all of the safety concerns, if any, associated with its use. It is the responsibility of the user to establish appropriate safety and health practices and to determine the applicability of regulatory requirements prior to use.

1 Scope

This document specifies the preparation of test specimens and gives the test methods applicable to semi-finished products of polytetrafluoroethylene (PTFE).

2 Normative references

The following documents are referred to in the text in such a way that some or all of their content constitutes requirements of this document. For dated references, only the edition cited applies. For undated references, the latest edition of the referenced document (including any amendments) applies.

ISO 472, *Plastics — Vocabulary* <https://standards.iteh.ai/catalog/standards/sist/b0fb27c8-82bf-43d9-a149-b17282063844/iso-13000-2-2021>

ISO 527-2, *Plastics — Determination of tensile properties — Part 2: Test conditions for moulding and extrusion plastics*

ISO 527-3, *Plastics — Determination of tensile properties — Part 3: Test conditions for films and sheets*

ISO 868, *Plastics and ebonite — Determination of indentation hardness by means of a durometer (Shore hardness)*

ISO 1183 (all parts), *Plastics — Methods for determining the density of non-cellular plastics*

ISO 1923, *Cellular plastics and rubbers — Determination of linear dimensions*

ISO 2039-1, *Plastics — Determination of hardness — Part 1: Ball indentation method*

ISO 3611, *Geometrical product specifications (GPS) — Dimensional measuring equipment: Micrometers for external measurements — Design and metrological characteristics*

ISO 22088-3, *Plastics — Determination of resistance to environmental stress cracking (ESC) — Part 3: Bent strip method*

ISO 22088-4, *Plastics — Determination of resistance to environmental stress cracking (ESC) — Part 4: Ball or pin impression method*

ISO 13000-1, *Plastics — Polytetrafluoroethylene (PTFE) semi-finished products — Part 1: Requirements and designation*

IEC 60243-1:2013, *Electrical strength of insulating materials — Test methods — Part 1: Tests at power frequencies*

IEC 60243-2, *Electric strength of insulating materials — Test methods — Part 2: Additional requirements for tests using direct voltage*

CIE 1931 *standard colorimetric system*

CIE 1964 *standard colorimetric system*

CIE PUBLICATION NO 15, *Colorimetry*

3 Terms and definitions

For the purposes of this document, the terms and definitions given in ISO 472 and ISO 13000-1 apply.

ISO and IEC maintain terminological databases for use in standardization at the following addresses:

- ISO Online browsing platform: available at <https://www.iso.org/obp>
- IEC Electropedia: available at <http://www.electropedia.org/>

4 Sampling

Details of procedures for sampling semi-finished products depend to a large extent on the physical shape of the particular material. Whenever feasible, the materials shall be sampled. Sampling shall be statistically adequate to satisfy the requirements of the test method concerned.

iTeh STANDARD PREVIEW
(standards.iteh.ai)

5 Preparation of test specimens

The specimens used for testing shall be taken directly from or shall be machined from the semi-finished product without other treatment. Thus, conversion of a semi-finished product into a test specimen by any moulding procedure is not permitted. In some instances, special procedures are required that are described either in the general discussion or in the method.

6 Testing of semi-finished PTFE products

6.1 General

Properties required for specification purposes shall be determined in accordance with the procedures given in this document. For the determination of density, tensile properties, hardness and electrical properties, condition the test specimens at $23\text{ °C} \pm 2\text{ °C}$ for a period of at least 4 h prior to test. The other tests require no conditioning.

6.2 Linear dimensions

These shall be determined by the procedures provided in ISO 1923 for cellular plastics.

6.3 Tensile properties

6.3.1 Tensile specimens

6.3.1.1 General

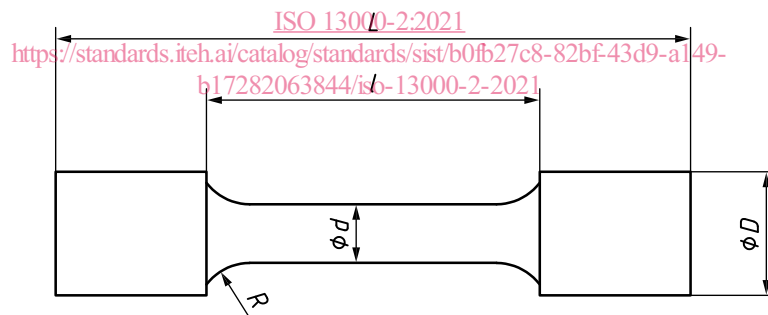
The appropriate type of test specimen shall be chosen from those given in 6.3.1.2 to 6.3.1.5. At least three test specimens shall be prepared from the sample and three specimens shall be tested.

NOTE Test specimens prepared from moulded basic shapes, rods or tubes conforming to 6.3.1.2 are likely to give results similar to those obtained with test specimens prepared from the same product but conforming to 6.3.1.3.

When testing extruded products, the test specimens shall be cut parallel to the axis of extrusion so that, as far as possible, each test specimen represents a different section along the axis and a different area of the cross-section. When testing skived tape, skived sheet or skived film, the test specimens shall be cut perpendicular to the direction in which the pressure was applied when moulding the billet from which the product was skived. If this direction is not known, two sets of test specimens shall be prepared and tested, the test specimens in one set being cut at 90° to those in the other set and the mean result shall be calculated from the higher set of values (indicating, typically, the direction perpendicular to the axis of applied pressure). This procedure ensures a uniform way of reporting test results. The micro-tensile test specimen (see 6.3.1.3) is used most commonly for PTFE products.

6.3.1.2 Turned dumb-bell test specimens

The test specimens shall be turned so that their dimensions are in the ratios given in Figure 1, and so that the shape is as shown in Figure 1. The value of the larger diameter (D) shall be 7 mm ± 0,5 mm, 10 mm ± 0,5 mm or 20 mm ± 0,5 mm.



Key

Ratios of dimensions of turned dumb-bell specimens:

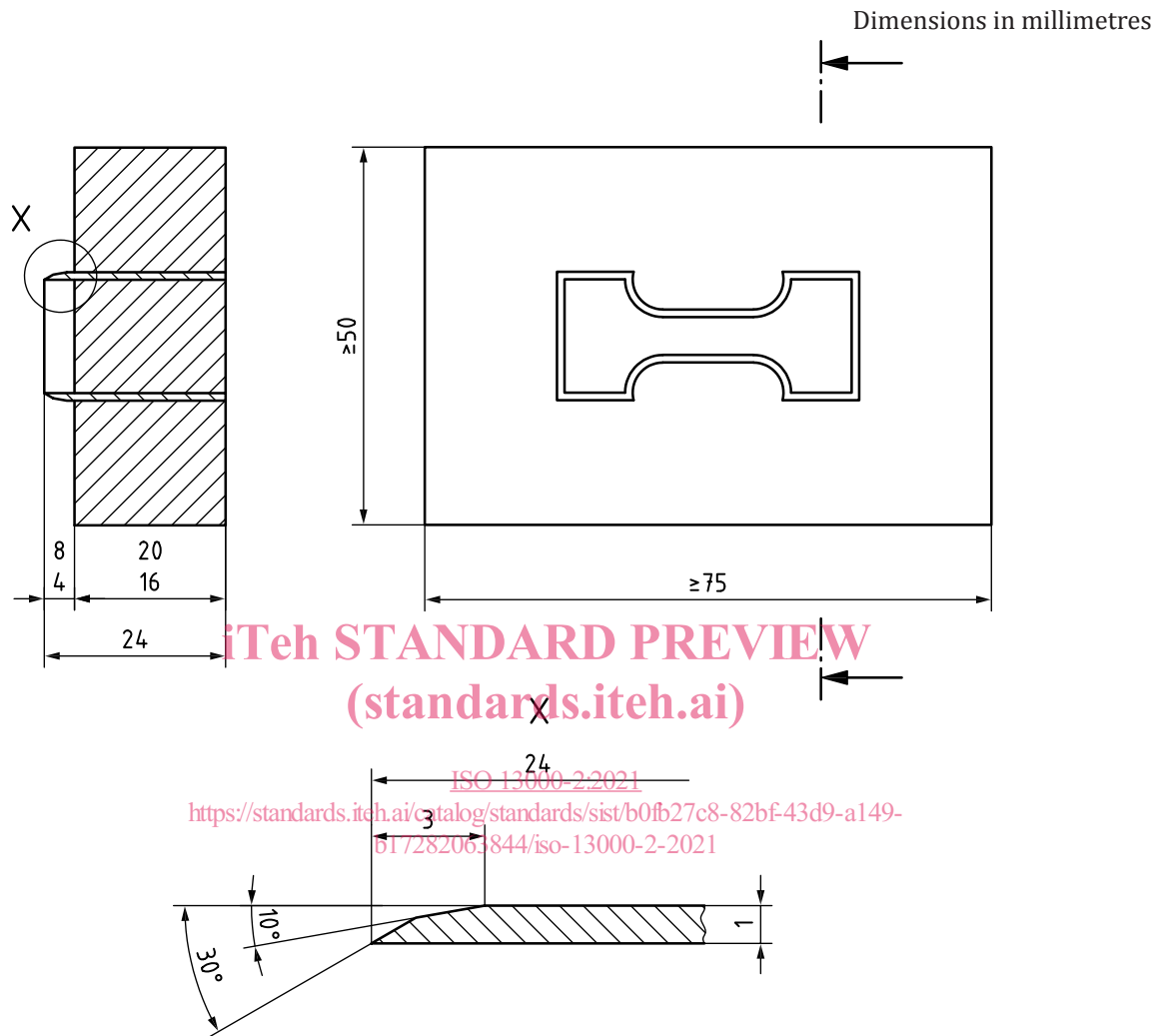
- d 0,45 D to 0,55 D
- L 5 D to 6 D
- l 3 D to 3,5 D
- R 0,2 D to 0,3 D

Figure 1 — Turned dumb-bell specimen

6.3.1.3 Micro-tensile (small punched dumb-bell) test specimens

The sample shall be machined to produce a sheet or disc of thickness 1,5 mm to 2,5 mm, or turned to produce a rectangular-section ring which can be cut and flattened to give such a sheet. Test specimens conforming to the shape shown in Figures 2 and 3 and the dimensions given in Table 1 for micro-tensile specimens shall be punched from a sheet or disc using a single-stroke press and the appropriate knife-edged die. In any one test specimen, the thickness of the narrow, parallel-sided portion shall nowhere deviate by more than 2 % from the mean. The sheet shall be supported, while the test specimens are

punched from it, on a slightly yielding material having a smooth surface (e.g. leather, rubber or high-quality cardboard) on a flat, rigid base. The cutting edge of the die shall be sharp and free from notches or other visual defects. In the case of thin sheet or skived tape of thickness from 0,125 mm to 3,0 mm, the test specimens shall be punched from the material “as-received”.



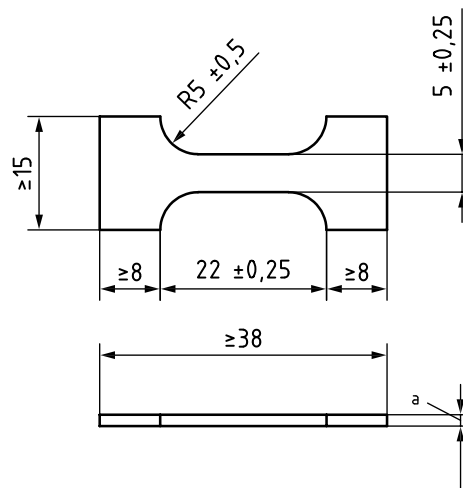
Inside dimensions of die are same as those of test specimen.

Rockwell C hardness of die: 45 to 50.

Die to be sharpened on outside of knife-edge only.

Figure 2 — Knife-edged die for micro-tensile (type A) specimens, and punched-out specimen — Steel-rule die

Dimensions in millimetres

**Key**

- a Possible thicknesses:
- 1,5 ± 0,25
 - 1,0 ± 0,20
 - 0,8 ± 0,15
 - 0,5 ± 0,1
 - 0,125 ± 0,03

iTeh STANDARD PREVIEW
(standards.iteh.ai)

Figure 3 — Knife-edged die for micro-tensile (type A) specimens, and punched-out specimen — Micro-tensile specimen

ISO 13000-2:2021

[https://standards.iteh.ai/catalog/standards/sist/b0fb27c8-82bf-43d9-a149-](https://standards.iteh.ai/catalog/standards/sist/b0fb27c8-82bf-43d9-a149-b17382063844/iso-13000-2-2021)

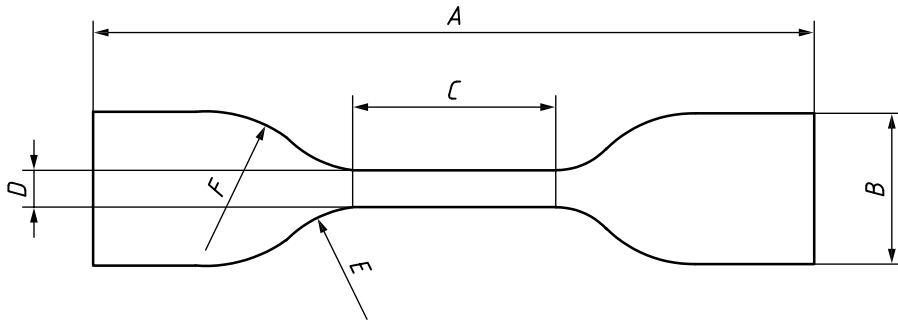
Table 1 — Dimensions of micro-tensile specimen

	Micro-tensile specimen (see Figures 2 and 3)
	mm
<i>A</i> Overall length, minimum	38
<i>B</i> Width at ends, minimum	15
<i>C</i> Length of narrow, parallel-sided portion	12 ± 0,5
<i>D</i> Width of narrow, parallel-sided portion	5 ± 0,25
<i>E</i> Small radius	5 ± 0,5
<i>F</i> Large radius	n.a.

6.3.1.4 Test specimens prepared from thin or narrow tape and from small-diameter tubing of less than 7,0 mm ID

When testing tape of less than 0,1 mm in thickness that has a width W 25 mm, the test specimens shall be parallel-sided strips 25 mm wide and of an appropriate length to suit the test machine grips. Alternatively, test specimens conforming to the shape shown in Figure 4 and the dimensions given in Table 2 for large dumb-bells shall be punched from the tape by the method described in 6.3.1.3. In any one test specimen, the thickness of the narrow, parallel-sided portion shall nowhere deviate by more than 2 % from the mean.

In the case of tape of less than 25 mm in width, the full width shall be tested. Tubing of less than 7 mm OD shall be tested as manufactured, unmachined, without slitting the tube and then flattening it.



Key

- A overall length, minimum: 115 mm
- B width at ends, minimum: 25 mm ± 1 mm
- C length of narrow, parallel-sided portion: 33 mm ± 2 mm
- D width of narrow, parallel-sided portion: 6 mm ± 0,4 mm
- E small radius: 14 mm ± 1 mm
- F large radius: 25 mm ± 2 mm

Figure 4 — Punched large dumb-bell (type B) specimen

Table 2 — Dimensions of large dumb-bell test specimen

Large dumb-bell specimen (see Figure 4)	
mm	
A Overall length, minimum	115
B Width at ends, minimum	25 ± 1
C Length of narrow, parallel-sided portion	33 ± 2
D Width of narrow, parallel-sided portion	6 ± 0,4
E Small radius	14 ± 1
F Large radius	25 ± 2

6.3.1.5 Test specimens prepared from small-diameter rod

When testing rod of not more than 7 mm in diameter, the test specimens shall consist of 100 mm lengths cut from the rod either “as received” or with a reduction in diameter of up to 15 % over a test length of 25 mm to 30 mm. This reduction in diameter will facilitate gripping the specimen in the test machine without breakage occurring within the grips.

6.3.1.6 Marking of test specimens

Before marking test specimens of the types specified in 6.3.1.2, 6.3.1.3 or 6.3.1.5, any machining or punch marks can be removed by sanding lightly with fine abrasive paper.

Mark each test specimen with two reference marks 10 mm to 25 mm apart (15 mm to 20 mm for small dumb-bell test specimens) and approximately equidistant from the midpoint, taking care to avoid damaging the specimen. Ensure that the marking medium has no detrimental effect on the material being tested and that the marks are as narrow as possible. Do not scratch, punch or impress the lines upon the specimen.