

~~2022-07-05~~

~~ISO/FDIS/FDIS 19095-5:2022(E)~~

~~ISO/TC 61/SC 11/WG 5~~

~~2022-11-08~~

~~Secretariat: JISC~~

**Plastics — Evaluation of the adhesion interface performance in plastic-metal assemblies — Part 5: Fracture energy**

~~Plastiques — Évaluation des performances de l'interface d'adhérence dans les assemblages plastique-métal — Partie 5: Titre manquant~~

**Style Definition:** Figure Graphic: Don't keep with next

**Style Definition:** Key Title: Don't keep with next

**Formatted:** Different first page header

**Formatted:** French (Switzerland)

**Formatted:** French (Switzerland)

**Formatted:** Font: Bold, French (Switzerland)

**Formatted:** French (Switzerland)

**Formatted:** Font: Bold

**Formatted:** Space After: 12 pt, Adjust space between Latin and Asian text, Adjust space between Asian text and numbers

**Formatted:** Font: Bold

**Formatted:** Adjust space between Latin and Asian text, Adjust space between Asian text and numbers

iTeh STANDARD PREVIEW  
(standards.iteh.ai)

ISO 19095-5:2023

<https://standards.iteh.ai/catalog/standards/sist/a90aa12a-031b-423e-bd55-cda56174e079/iso-19095-5-2023>

ISO 19095-5:2022(E)Error! Reference source not found.

© ISO,2022

All rights reserved. Unless otherwise specified, or required in the context of its implementation, no part of this publication may be reproduced or utilized otherwise in any form or by any means, electronic or mechanical, including photocopying, or posting on the internet or an intranet, without prior written permission. Permission can be requested from either ISO at the address below or ISO's member body in the country of the requester.

ISO Copyright Office

CP 401 • CH-1214 Vernier, Geneva

Phone: + 41 22 749 01 11

Email: [copyright@iso.org](mailto:copyright@iso.org)  
Email: [copyright@iso.org](mailto:copyright@iso.org)

Website: [www.iso.org](http://www.iso.org)[www.iso.org](http://www.iso.org)

Published in Switzerland,

Formatted: Font: 11 pt, Font color: Blue, English (United Kingdom)

Formatted: std\_publisher, Font: 11 pt, Font color: Blue, English (United Kingdom)

Formatted: Font: 11 pt, Font color: Blue, English (United Kingdom)

Formatted: std\_docNumber, Font: 11 pt, Font color: Blue, English (United Kingdom)

Formatted: Font: 11 pt, Font color: Blue, English (United Kingdom)

Formatted: Font: 11 pt, Font color: Blue, English (United Kingdom)

Formatted: Space After: 12 pt, Don't adjust space between Latin and Asian text, Don't adjust space between Asian text and numbers

Formatted: Font: 11 pt, Font color: Blue, English (United Kingdom)

Formatted: Font: 11 pt, Font color: Blue, English (United Kingdom)

Formatted: Font: 11 pt, Font color: Blue

Formatted: Space After: 12 pt, Don't adjust space between Latin and Asian text, Don't adjust space between Asian text and numbers

Formatted: Font: 11 pt, Font color: Blue

Formatted: Font: 11 pt, Font color: Blue, English (United Kingdom)

Formatted: Don't adjust space between Latin and Asian text, Don't adjust space between Asian text and numbers

Formatted: English (United Kingdom)

iTeh STANDARD PREVIEW  
(standards.iteh.ai)

ISO 19095-5:2023

<https://standards.iteh.ai/catalog/standards/sist/a90aa12a-031b-425c-bd59-cda56174e079/iso-19095-5-2023>

<b>Contents</b>	<b>Page</b>
<b>Foreword</b> ..... 3	
<b>Introduction</b> ..... 4	
1 Scope..... 5	5
2 Normative references ..... 5	5
3 Terms and definitions..... 5	5
4 Test specimens..... 6	6
4.1 Shape and size ..... 6	6
4.2 Procedure for building test specimens..... 7	7
5 Test procedure ..... 9	9
5.1 Test machine ..... 9	9
5.2 Loading rigs..... 9	9
5.3 Displacement measurement..... 10	10
5.4 Length, width and crack length of test specimens..... 11	11
5.5 Conditioning..... 11	11
5.6 Test procedure ..... 11	11
6 Expression of results ..... 12	12
7 Test report ..... 13	13
<b>Bibliography</b> ..... 15	15
<b>Foreword</b> ..... 3	
<b>Introduction</b> ..... 4	
1 Scope..... 5	5
2 Normative references ..... 5	5
3 Terms and definitions..... 5	5
4 Test specimens..... 6	6
4.1 Shape and size ..... 6	6
4.2 Procedure for building test specimens..... 7	7
5 Test procedure ..... 9	9

ISO 19095-5:2022(E)Error! Reference source not found.

<b>5.1</b>	<b>Test machine</b>	<b>9</b>
<b>5.2</b>	<b>Loading rigs</b>	<b>9</b>
<b>5.3</b>	<b>Displacement measurement</b>	<b>10</b>
<b>5.4</b>	<b>Length, width and crack length of test specimens</b>	<b>11</b>
<b>5.5</b>	<b>Conditioning</b>	<b>11</b>
<b>5.6</b>	<b>Test procedure</b>	<b>11</b>
<b>6</b>	<b>Expression of results</b>	<b>12</b>
<b>7</b>	<b>Test report</b>	<b>13</b>
	<b>Bibliography</b>	<b>15</b>

iTeh STANDARD PREVIEW  
(standards.iteh.ai)

ISO 19095-5:2023

<https://standards.iteh.ai/catalog/standards/sist/a90aa12a-031b-423e-bd55-cda56174e079/iso-19095-5-2023>

## Foreword

ISO (the International Organization for Standardization) is a worldwide federation of national standards bodies (ISO member bodies). The work of preparing International Standards is normally carried out through ISO technical committees. Each member body interested in a subject for which a technical committee has been established has the right to be represented on that committee. International organizations, governmental and non-governmental, in liaison with ISO, also take part in the work. ISO collaborates closely with the International Electrotechnical Commission (IEC) on all matters of electrotechnical standardization.

The procedures used to develop this document and those intended for its further maintenance are described in the ISO/IEC Directives, Part 1. In particular, the different approval criteria needed for the different types of ISO documents should be noted. This document was drafted in accordance with the editorial rules of the ISO/IEC Directives, Part 2 (see [www.iso.org/directives](http://www.iso.org/directives)).

Attention is drawn to the possibility that some of the elements of this document may be the subject of patent rights. ISO shall not be held responsible for identifying any or all such patent rights. Details of any patent rights identified during the development of the document will be in the Introduction and/or on the ISO list of patent declarations received (see [www.iso.org/patents](http://www.iso.org/patents)).

Any trade name used in this document is information given for the convenience of users and does not constitute an endorsement.

For an explanation of the voluntary nature of standards, the meaning of ISO specific terms and expressions related to conformity assessment, as well as information about ISO's adherence to the World Trade Organization (WTO) principles in the Technical Barriers to Trade (TBT), see [www.iso.org/iso/foreword.html](http://www.iso.org/iso/foreword.html).

This document was prepared by Technical Committee ISO/TC 61, *Plastics*, Subcommittee SC 11, *Products*.

A list of all parts in the ISO 19095 series can be found on the ISO website.

Any feedback or questions on this document should be directed to the user's national standards body. A complete listing of these bodies can be found at [www.iso.org/members.html](http://www.iso.org/members.html).

Formatted: Left, Line spacing: At least 15.5 pt, Tab stops: Not at 20 pt

Formatted: English (United Kingdom)

Formatted: Don't adjust space between Latin and Asian text, Don't adjust space between Asian text and numbers

Formatted: English (United Kingdom)

Formatted: English (United Kingdom)

Formatted: English (United Kingdom)

Formatted: English (United Kingdom)

Formatted: English (United Kingdom)

Formatted: English (United Kingdom)

Formatted: Default Paragraph Font

Formatted: English (United Kingdom)

Formatted: Don't adjust space between Latin and Asian text, Don't adjust space between Asian text and numbers

Formatted: English (United Kingdom)

ISO 19095-5:2022(E) Error! Reference source not found.

## Introduction

There is a growing demand for reliability of metal-plastic joints to make lightweight cars and aircraft, which leads to fuel savings and reduced carbon dioxide emissions. Dissimilar joints of plastics and metals is also an important technology for manufacturing high-performance, low-cost electronic components.

Against this background of industrial trends, new bonding technologies are being developed and test methods for assessing the joint performance of metal-plastic assemblies manufactured in various bonding processes need to be standardized.

ISO 19095-1 through ISO 19095-4 were developed for the metal-plastic assemblies to assess the joint strength, sealing properties and environmental durability.

This document provides a test method to evaluate metal-plastic interfacial fracture energy and to characterize the failure behaviour of joints. This test is therefore useful for qualifying a joint's ability to resist fracture in order to ensure joint integrity.

Formatted: std\_docPartNumber

Formatted: Default Paragraph Font

Formatted: std\_docPartNumber

iTeh STANDARD PREVIEW  
(standards.iteh.ai)

ISO 19095-5:2023

<https://standards.iteh.ai/catalog/standards/sist/a90aa12a-031b-423e-bd55-cda56174e079/iso-19095-5-2023>

**Plastics — Evaluation of the adhesion interface performance  
in plastic-metal assemblies — Part 5: Fracture energy**

Formatted: Different first page header

iTeh STANDARD PREVIEW  
(standards.iteh.ai)

ISO 19095-5:2023

<https://standards.iteh.ai/catalog/standards/sist/a90aa12a-031b-423e-bd55-cda56174e079/iso-19095-5-2023>

## **Plastics — Evaluation of the adhesion interface performance in plastic-metal assemblies — Part 5: Fracture energy**

**SAFETY STATEMENT** — Persons using this document should be familiar with normal laboratory practice, if applicable. This document does not purport to address all of the safety problems, if any, associated with its use. It is the responsibility of the user to establish appropriate safety and health practices. It is recognized that some of the materials permitted in this document might have a negative environmental impact. As technological advances lead to more acceptable alternatives for such materials, they will be eliminated to the greatest extent possible. At the end of the test, care should be taken to dispose of all waste in an appropriate manner.

**Formatted:** Adjust space between Latin and Asian text, Adjust space between Asian text and numbers

### **1 Scope**

This document specifies a method of testing the adhesion in plastic-metal joints produced by several techniques: adhesive bonding, direct joining of thermoplastics by injection or compression moulding, or other methods. More specifically this testing method provides a measure of the joint resistance to fracture in the region between plastic and metal adherends.

This method can only be used for comparing adhesives, surface treatments, bonding conditions and effects of environmental conditions. The results cannot be used for engineering design purposes.

### **2 Normative references**

The following documents are referred to in the text in such a way that some or all of their content constitutes requirements of this document. For dated references, only the edition cited applies. For undated references, the latest edition of the referenced document (including any amendments) applies.

ISO 291, *Plastics — Standard atmospheres for conditioning and testing*

ISO 5893, *Rubber and plastics test equipment — Tensile, flexural and compression types (constant rate of traverse) — Specification*

ISO 10365, *Adhesives — Designation of main failure patterns*

ISO 17212, *Structural adhesives — Guidelines for the surface preparation of metals and plastics prior to adhesive bonding*

~~ISO 10365, *Adhesives — Designation of main failure patterns*~~

### **3 Terms and definitions**

For the purposes of this document, the following terms and definitions apply.

ISO- and IEC maintain terminological databases for use in standardization at the following addresses:

- ISO-Online browsing platform: available at <https://www.iso.org/obp>
- IEC Electropedia: available at <https://www.electropedia.org/>

**Formatted:** TermNum, Tab stops: Not at 19.85 pt + 39.7 pt + 59.55 pt + 79.4 pt + 99.25 pt + 119.05 pt + 138.9 pt + 158.75 pt + 178.6 pt + 198.45 pt

**Formatted:** Don't keep with next

#### **3.1 energy to initiate fracture**



$W_F$   
total input energy needed to bring the test specimen up to fracture initiation

Formatted: Font: Not Bold  
Formatted: Font: Not Bold

Note\_1 to entry: It is expressed in joules, J.

Note\_2 to entry:  $W_F$  is determined from the load-displacement curve recorded during the test, by integration, as specified in Clause 6.

### 3.2 fracture energy

$w_F$   
energy per unit width of the joining area ( $e_1$ )

Formatted: Don't adjust space between Latin and Asian text, Don't adjust space between Asian text and numbers

Formatted: Font: Not Bold  
Formatted: Font: Not Bold

$$w_F = W_F/e_1$$

Formatted: Font: Italic

Note\_1 to entry: It is expressed in joules per metre, J/m.

### 3.3 precrack

non-adhering part of the adjacent faces the two adherends of the joint, acting as a crack initiator

### 3.4 precrack length

$a_1$   
length of the *precrack* (3.3) in the longitudinal direction of the joint

Formatted: Font: Italic

Note 1 to entry: -As specified in Figure 1.

Formatted: Note, Tab stops: 19.85 pt, Left + 39.7 pt, Left + 59.55 pt, Left + 79.4 pt, Left + 99.25 pt, Left + 119.05 pt, Left + 138.9 pt, Left + 158.75 pt, Left + 178.6 pt, Left + 198.45 pt, Left

Note\_2 to entry: It is expressed in metres, m.

### 3.5 'nominal crack' length (before fracture)

$a$   
distance from the load line (i.e. the line through the centres of the holes for the insertion of the loading pins) to the tip of the *precrack* (3.3)

Formatted: Font: Italic

Note 1 to entry: As specified in Figure 2.

Formatted: Note, Tab stops: 19.85 pt, Left + 39.7 pt, Left + 59.55 pt, Left + 79.4 pt, Left + 99.25 pt, Left + 119.05 pt, Left + 138.9 pt, Left + 158.75 pt, Left + 178.6 pt, Left + 198.45 pt, Left

Note\_2 to entry: It is expressed in metres, m.

Formatted: Default Paragraph Font

## 4 Test specimens

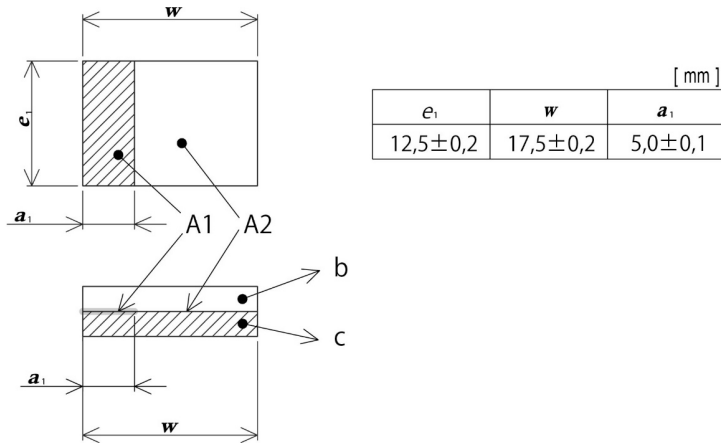
### 4.1 Shape and size

Test specimens shall be prepared according to Figure 1. Metal and plastic plates having a thickness of 2,0 mm ~~± 0,1~~ mm, length  $w$  and width  $e_1$ , are joined in such a way as to leave a part of the two plates on one side of the laminate (hatched area in Figure 1, top) not bonded. This part will serve as a precrack, with length  $a_1$ . Specimen dimensions are as specified in Figure 1.

To apply the load to the test specimen, load blocks are tightly bonded to both sides of the plastic-metal laminate in accordance with the geometry as specified in Figure 2.

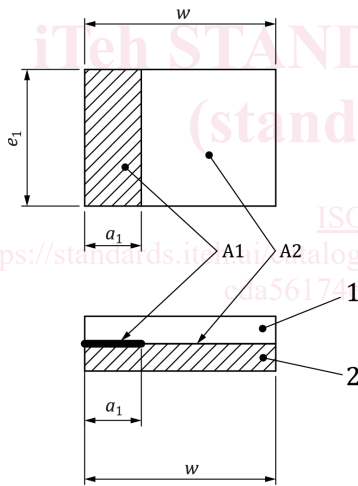
The length,  $a$ , of the 'nominal crack' should preferably be in the range  $0,45 < a/W < 0,55$ , and the specimen width,  $e_1$ , is preferably equal to  $W/2$ .

ISO 19095-5:2022(E) Error! Reference source not found.



[ mm ]		
$e_1$	$w$	$a_1$
$12,5 \pm 0,2$	$17,5 \pm 0,2$	$5,0 \pm 0,1$

Dimensions in millimetres



STANDARD PREVIEW  
(standards.iteh.ai)  
ISO 19095-5:2023  
<https://standards.iteh.ai/catalog/standards/sist/a90aa12a-031b-423e-bd55-c4a561741079/iso-19095-5-2023>

$e_1$	$w$	$a_1$
$12,5 \pm 0,2$	$17,5 \pm 0,2$	$5,0 \pm 0,1$

- Key**
- $a_1$  precrack length
  - $e_1$  width of the joining area
  - $w$  length of the metal and plastic plates
  - $b_1$  metal plate 2,0 mm  $\pm$  0,1-mm thick
  - $e_2$  plastic plate 2,0 mm  $\pm$  0,1-mm thick
  - A1 precracked part
  - A2 joining part

- Formatted: Adjust space between Latin and Asian text, Adjust space between Asian text and numbers, Tab stops: Not at 19.85 pt + 39.7 pt + 59.55 pt + 79.4 pt + 99.25 pt + 119.05 pt + 138.9 pt + 158.75 pt + 178.6 pt + 198.45 pt
- Formatted: Justified
- Formatted: Justified
- Formatted: Justified
- Formatted: Justified
- Formatted: Justified
- Formatted: Justified
- Formatted: Justified

Figure 1 — Test specimen for interfacial fracture energy measurement

#### 4.2 Procedure for test specimen preparation

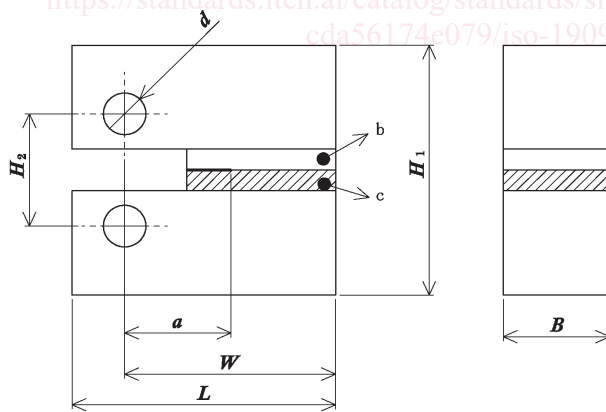
Before bonding, the surfaces involved in bonding are degreased and carefully inspected to exclude possible contamination. In the case of anisotropic materials, the reference direction shall be marked on each adherend.

The precrack part (A1 in Figure 1) is prepared either by coating with non-stick ink the defined surface of the metal adherend (see Figure 3), or by inserting a piece of non-stick film, which is recommended to be PTFE with a thickness between 50 µm and 100 µm, between the metal and the plastic plates.

The metal and plastic plates are bonded either by adhesive, or directly by injection moulding or compression moulding, or by other methods.

In the case of adhesive bonding, the thickness of the adhesive layer shall be carefully controlled and shall be less than 1 mm. The thickness of the layer shall not vary by more than 20 % within one joint, and the average thickness of the layer in one joint shall not differ by more than 20 % from that in another joint in the sample. When the adhesive is fully consolidated, remove any excess adhesive by mechanical means carefully enough not to weaken the bond, so as to leave the joint with smooth sides. The average thickness of the consolidated adhesive layer shall be determined for each specimen by measuring the total thickness of the bonded laminate and subtracting the thicknesses of the two adherends. The value of the layer thickness shall be selected by the user, based upon the adhesive manufacturer's recommendations or in consideration of the intended application. It is beyond the scope of this document to specify full manufacturing details of the joints to be tested. Such information should be sought from the adhesive manufacturer and/or the substrate manufacturer.

The test specimen thus prepared shall be tightly bonded to the load blocks made of metal using a suitable adhesive, as specified in Figure 2. The material of the load blocks is recommended to be an aluminium alloy or stainless steel. The adhesive can be of any type as long as it has sufficient stiffness and strength not to fail during the test. The preparation of the test specimens shall be in accordance with ISO 17212.



[mm]						
<i>L</i>	<i>H</i> <sub>1</sub>	<i>H</i> <sub>2</sub>	<i>W</i>	<i>B</i>	<i>a</i>	<i>d</i>
31±0,2	30±0,2	13,5±0,2	25±0,2	12,5±0,2	12,5±0,1	5±0,1