



Designation: D1557 – 12

Standard Test Methods for Laboratory Compaction Characteristics of Soil Using Modified Effort (56,000 ft-lbf/ft³ (2,700 kN-m/m³))¹

This standard is issued under the fixed designation D1557; the number immediately following the designation indicates the year of original adoption or, in the case of revision, the year of last revision. A number in parentheses indicates the year of last reapproval. A superscript epsilon (ϵ) indicates an editorial change since the last revision or reapproval.

This standard has been approved for use by agencies of the U.S. Department of Defense.

1. Scope*

1.1 These test methods cover laboratory compaction methods used to determine the relationship between molding water content and dry unit weight of soils (compaction curve) compacted in a 4- or 6-in. (101.6- or 152.4-mm) diameter mold with a 10.00-lbf. (44.48-N) rammer dropped from a height of 18.00 in. (457.2 mm) producing a compactive effort of 56 000 ft-lbf/ft³ (2700 kN-m/m³).

NOTE 1—The equipment and procedures are the same as proposed by the U.S. Corps of Engineers in 1945. The modified effort test (see 3.1.3) is sometimes referred to as the Modified Proctor Compaction Test.

1.1.1 Soils and soil-aggregate mixtures are to be regarded as natural occurring fine- or coarse-grained soils, or composites or mixtures of natural soils, or mixtures of natural and processed soils or aggregates such as gravel or crushed rock. Hereafter referred to as either soil or material.

1.2 These test methods apply only to soils (materials) that have 30 % or less by mass of their particles retained on the 3/4-in. (19.0-mm) sieve and have not been previously compacted in the laboratory; that is, do not reuse compacted soil.

1.2.1 For relationships between unit weights and molding water contents of soils with 30 % or less by weight of material retained on the 3/4-in. (19.0-mm) sieve to unit weights and molding water contents of the fraction passing the 3/4-in. (19.0-mm) sieve, see Practice D4718.

1.3 Three alternative methods are provided. The method used shall be as indicated in the specification for the material being tested. If no method is specified, the choice should be based on the material gradation.

1.3.1 Method A:

1.3.1.1 *Mold*—4-in. (101.6-mm) diameter.

1.3.1.2 *Material*—Passing No. 4 (4.75-mm) sieve.

1.3.1.3 *Layers*—Five.

1.3.1.4 *Blows per layer*—25.

1.3.1.5 *Usage*—May be used if 25 % or less by mass of the material is retained on the No. 4 (4.75-mm) sieve. However, if 5 to 25 % by mass of the material is retained on the No. 4 (4.75-mm) sieve, Method A can be used but oversize corrections will be required (See 1.4) and there are no advantages to using Method A in this case.

1.3.1.6 *Other Use*—If this gradation requirement cannot be met, then Methods B or C may be used.

1.3.2 Method B:

1.3.2.1 *Mold*—4-in. (101.6-mm) diameter.

1.3.2.2 *Material*—Passing 3/8-in. (9.5-mm) sieve.

1.3.2.3 *Layers*—Five.

1.3.2.4 *Blows per layer*—25.

1.3.2.5 *Usage*—May be used if 25 % or less by mass of the material is retained on the 3/8-in. (9.5-mm) sieve. However, if 5 to 25 % of the material is retained on the 3/8-in. (9.5-mm) sieve, Method B can be used but oversize corrections will be required (See 1.4). In this case, the only advantages to using Method B rather than Method C are that a smaller amount of sample is needed and the smaller mold is easier to use.

1.3.2.6 *Other Usage*—If this gradation requirement cannot be met, then Method C may be used.

1.3.3 Method C:

1.3.3.1 *Mold*—6-in. (152.4-mm) diameter.

1.3.3.2 *Material*—Passing 3/4-in. (19.0-mm) sieve.

1.3.3.3 *Layers*—Five.

1.3.3.4 *Blows per layer*—56.

1.3.3.5 *Usage*—May be used if 30 % or less (see 1.4) by mass of the material is retained on the 3/4-in. (19.0-mm) sieve.

1.3.4 The 6-in. (152.4-mm) diameter mold shall not be used with Method A or B.

NOTE 2—Results have been found to vary slightly when a material is tested at the same compactive effort in different size molds, with the smaller mold size typically yielding larger values of unit weight and density (1).²

1.4 If the test specimen contains more than 5 % by mass of oversize fraction (coarse fraction) and the material will not be

¹ These test methods are under the jurisdiction of ASTM Committee D18 on Soil and Rock and are the direct responsibility of Subcommittee D18.03 on Texture, Plasticity and Density Characteristics of Soils.

Current edition approved May 1, 2012. Published June 2012. Originally approved in 1958. Last previous edition approved in 2007 as D1557 – 09. DOI: 10.1520/D1557-12.

² The boldface numbers in parentheses refer to the list of references at the end of this standard.

*A Summary of Changes section appears at the end of this standard

included in the test, corrections must be made to the unit weight and molding water content of the test specimen or to the appropriate field in-place unit weight (or density) test specimen using Practice [D4718](#).

1.5 This test method will generally produce a well-defined maximum dry unit weight for non-free draining soils. If this test method is used for free-draining soils the maximum unit weight may not be well defined, and can be less than obtained using Test Methods [D4253](#).

1.6 All observed and calculated values shall conform to the guidelines for significant digits and rounding established in Practice [D6026](#), unless superseded by these test methods.

1.6.1 For purposes of comparing measured or calculated value(s) with specified limits, the measured or calculated value(s) shall be rounded to the nearest decimal or significant digits in the specified limits.

1.6.2 The procedures used to specify how data are collected/recorded or calculated in this standard are regarded as the industry standard. In addition, they are representative of the significant digits that generally should be retained. The procedures used do not consider material variation, purpose for obtaining the data, special purpose studies, or any considerations for the user's objectives; it is common practice to increase or reduce significant digits of reported data to be commensurate with these considerations. It is beyond the scope of these test methods to consider significant digits used in analytical methods for engineering design.

1.7 The values in inch-pound units are to be regarded as the standard. The values stated in SI units are provided for information only, except for units of mass. The units for mass are given in SI units only, g or kg.

1.7.1 It is common practice in the engineering profession to concurrently use pounds to represent both a unit of mass (lbm) and a force (lbf). This implicitly combines two separate systems of units; that is, the absolute system and the gravitational system. It is scientifically undesirable to combine the use of two separate sets of inch-pound units within a single standard. These test methods have been written using the gravitational system of units when dealing with the inch-pound system. In this system, the pound (lbf) represents a unit of force (weight). However, the use of balances or scales recording pounds of mass (lbm) or the recording of density in lbm/ft³ shall not be regarded as a nonconformance with this standard.

1.8 *This standard does not purport to address all of the safety concerns, if any, associated with its use. It is the responsibility of the user of this standard to establish appropriate safety and health practices and determine the applicability of regulatory limitations prior to use.*

1.9 **Warning**—Mercury has been designated by EPA and many state agencies as a hazardous material that can cause central nervous system, kidney, and liver damage. Mercury, or its vapor, may be hazardous to health and corrosive to materials. Caution should be taken when handling mercury and mercury containing products. See the applicable product Material Safety Data Sheet (MSDS) for details and EPA's website (<http://www.epa.gov/mercury/faq.htm>) for additional informa-

tion. Users should be aware that selling mercury or mercury containing products or both into your state may be prohibited by state law.

2. Referenced Documents

2.1 ASTM Standards:³

- [C127 Test Method for Density, Relative Density \(Specific Gravity\), and Absorption of Coarse Aggregate](#)
- [C136 Test Method for Sieve Analysis of Fine and Coarse Aggregates](#)
- [C670 Practice for Preparing Precision and Bias Statements for Test Methods for Construction Materials](#)
- [D653 Terminology Relating to Soil, Rock, and Contained Fluids](#)
- [D698 Test Methods for Laboratory Compaction Characteristics of Soil Using Standard Effort \(12 400 ft-lbf/ft³ \(600 kN-m/m³\)\)](#)
- [D854 Test Methods for Specific Gravity of Soil Solids by Water Pycnometer](#)
- [D2168 Practices for Calibration of Laboratory Mechanical-Rammer Soil Compactors](#)
- [D2216 Test Methods for Laboratory Determination of Water \(Moisture\) Content of Soil and Rock by Mass](#)
- [D2487 Practice for Classification of Soils for Engineering Purposes \(Unified Soil Classification System\)](#)
- [D2488 Practice for Description and Identification of Soils \(Visual-Manual Procedure\)](#)
- [D3740 Practice for Minimum Requirements for Agencies Engaged in Testing and/or Inspection of Soil and Rock as Used in Engineering Design and Construction](#)
- [D4220 Practices for Preserving and Transporting Soil Samples](#)
- [D4253 Test Methods for Maximum Index Density and Unit Weight of Soils Using a Vibratory Table](#)
- [D4718 Practice for Correction of Unit Weight and Water Content for Soils Containing Oversize Particles](#)
- [D4753 Guide for Evaluating, Selecting, and Specifying Balances and Standard Masses for Use in Soil, Rock, and Construction Materials Testing](#)
- [D4914 Test Methods for Density and Unit Weight of Soil and Rock in Place by the Sand Replacement Method in a Test Pit](#)
- [D5030 Test Method for Density of Soil and Rock in Place by the Water Replacement Method in a Test Pit](#)
- [D6026 Practice for Using Significant Digits in Geotechnical Data](#)
- [D6913 Test Methods for Particle-Size Distribution \(Gradation\) of Soils Using Sieve Analysis](#)
- [E11 Specification for Woven Wire Test Sieve Cloth and Test Sieves](#)
- [E319 Practice for the Evaluation of Single-Pan Mechanical Balances](#)
- [IEEE/ASTM SI 10 Standard for Use of the International System of Units \(SI\): The Modern Metric System](#)

³ For referenced ASTM standards, visit the ASTM website, www.astm.org, or contact ASTM Customer Service at service@astm.org. For *Annual Book of ASTM Standards* volume information, refer to the standard's Document Summary page on the ASTM website.

3. Terminology

3.1 Definitions:

3.1.1 See Terminology **D653** for general definitions.

3.1.2 *molding water content, n* —the water content of the soil (material) specimen in the mold after it has been reconstituted and compacted.

3.1.3 *modified effort*—in compaction testing, the term for the 56 000 ft-lbf/ft³ (2700 kN-m/m³) compactive effort applied by the equipment and methods of this test.

3.1.4 *modified maximum dry unit weight, $\gamma_{d,max}$ (lb/ft³ (kN/m³))*—in compaction testing, the maximum value defined by the compaction curve for a compaction test using modified effort.

3.1.5 *modified optimum water content, w_{opt} (%)*—in compaction testing, the water content at which the soil can be compacted to the maximum dry unit weight using modified compactive effort.

3.2 Definitions of Terms Specific to This Standard:

3.2.1 *oversize fraction (coarse fraction), P_C (%)*—the portion of total specimen not used in performing the compaction test; it may be the portion of total specimen retained on the No. 4 (4.75-mm) sieve in Method A, $\frac{3}{8}$ -in. (9.5-mm) sieve in Method B, or $\frac{3}{4}$ -in. (19.0-mm) sieve in Method C.

3.2.2 *test fraction (finer fraction), P_F (%)*—the portion of the total specimen used in performing the compaction test; it may be fraction passing the No. 4 (4.75-mm) sieve in Method A, passing the $\frac{3}{8}$ -in. (9.5-mm) sieve in Method B, or passing the $\frac{3}{4}$ -in. (19.0-mm) sieve in Method C.

4. Summary of Test Method

4.1 A soil at a selected molding water content is placed in five layers into a mold of given dimensions, with each layer compacted by 25 or 56 blows of a 10.00-lbf (44.48-N) rammer dropped from a distance of 18.00 in. (457.2 mm), subjecting the soil to a total compactive effort of about 56 000 ft-lbf/ft³ (2700 kN-m/m³). The resulting dry unit weight is determined. The procedure is repeated for a sufficient number of molding water contents to establish a relationship between the dry unit weight and the molding water content for the soil. This data, when plotted, represent a curvilinear relationship known as the compaction curve. The values of optimum water content and modified maximum dry unit weight are determined from the compaction curve.

5. Significance and Use

5.1 Soil placed as engineering fill (embankments, foundation pads, road bases) is compacted to a dense state to obtain satisfactory engineering properties such as shear strength, compressibility, or permeability. In addition, foundation soils are often compacted to improve their engineering properties. Laboratory compaction tests provide the basis for determining the percent compaction and molding water content needed to achieve the required engineering properties, and for controlling construction to assure that the required compaction and water contents are achieved.

NOTE 3—The degree of soil compaction required to achieve the desired

engineering properties is often specified as a percentage of the modified maximum dry unit weight as determined using this test method. If the required degree of compaction is substantially less than the modified maximum dry unit weight using this test method, it may be practicable for testing to be performed using Test Method **D698** and to specify the degree of compaction as a percentage of the standard maximum dry unit weight. Since more energy is applied for compaction using this test method, the soil particles are more closely packed than when **D698** is used. The general overall result is a higher maximum dry unit weight, lower optimum moisture content, greater shear strength, greater stiffness, lower compressibility, lower air voids, and decreased permeability. However, for highly compacted fine-grained soils, absorption of water may result in swelling, with reduced shear strength and increased compressibility, reducing the benefits of the increased effort used for compaction (2). Use of **D698**, on the other hand, allows compaction using less effort and generally at a higher optimum moisture content. The compacted soil may be less brittle, more flexible, more permeable, and less subject to effects of swelling and shrinking. In many applications, building or construction codes may direct which test method, **D698** or this one, should be used when specifying the comparison of laboratory test results to the degree of compaction of the in-place soil in the field.

5.2 During design of an engineered fill, testing performed to determine shear, consolidation, permeability, or other properties requires test specimens to be prepared by compacting the soil at a prescribed molding water content to obtain a predetermined unit weight. It is common practice to first determine the optimum water content (w_{opt}) and maximum dry unit weight ($\gamma_{d,max}$) by means of a compaction test. Test specimens are compacted at a selected molding water content (w), either wet or dry of optimum (w_{opt}) or at optimum (w_{opt}), and at a selected dry unit weight related to a percentage of maximum dry unit weight ($\gamma_{d,max}$). The selection of molding water content (w), either wet or dry of optimum (w_{opt}) or at optimum (w_{opt}) and the dry unit weight ($\gamma_{d,max}$) may be based on past experience, or a range of values may be investigated to determine the necessary percent of compaction.

5.3 Experience indicates that the methods outlined in 5.2 or the construction control aspects discussed in 5.1 are extremely difficult to implement or yield erroneous results when dealing with some soils. The following subsections describe typical problem soils, the problems encountered when dealing with such soils and possible solutions for these problems.

5.3.1 *Oversize Fraction*—Soils containing more than 30 % oversize fraction (material retained on the $\frac{3}{4}$ -in. (19-mm) sieve) are a problem. For such soils, there is no ASTM test method to control their compaction and very few laboratories are equipped to determine the laboratory maximum unit weight (density) of such soils (USDI Bureau of Reclamation, Denver, CO and U.S. Army Corps of Engineers, Vicksburg, MS). Although Test Methods **D4914** and **D5030** determine the “field” dry unit weight of such soils, they are difficult and expensive to perform.

5.3.1.1 One method to design and control the compaction of such soils is to use a test fill to determine the required degree of compaction and the method to obtain that compaction. Then use a method specification to control the compaction. Components of a method specification typically contain the type and size of compaction equipment to be used, the lift thickness, acceptable range of molding water content, and number of passes.

NOTE 4—Success in executing the compaction control of an earthwork

project, especially when a method specification is used, is highly dependent upon the quality and experience of the contractor and inspector.

5.3.1.2 Another method is to apply the use of density correction factors developed by the USDI Bureau of Reclamation (3,4) and U.S. Corps of Engineers (5). These correction factors may be applied for soils containing up to about 50 to 70 % oversize fraction. Both agencies use a different term for these density correction factors. The USDI Bureau of Reclamation uses *D* ratio (or *D* - VALUE), while the U.S. Corps of Engineers uses Density Interference Coefficient (*I_c*).

5.3.1.3 The use of the replacement technique (Test Method D1557-78, Method D), in which the oversize fraction is replaced with a finer fraction, is inappropriate to determine the maximum dry unit weight, γ_{dmax} , of soils containing oversize fractions (5).

5.3.2 *Degradation*—Soils containing particles that degrade during compaction are a problem, especially when more degradation occurs during laboratory compaction than field compaction, the typical case. Degradation typically occurs during the compaction of a granular-residual soil or aggregate. When degradation occurs, the maximum dry-unit weight increases (1) so that the resulting laboratory maximum value is not representative of field conditions. Often, in these cases, the maximum dry unit weight is impossible to achieve in the field.

5.3.2.1 Again for soils subject to degradation, the use of test fills and method specifications may help. Use of replacement techniques is not correct.

5.3.3 *Gap Graded*—Gap-graded soils (soils containing many large particles with limited small particles) are a problem because the compacted soil will have larger voids than usual. To handle these large voids, standard test methods (laboratory or field) typically have to be modified using engineering judgement.

NOTE 5—The quality of the result produced by this standard is dependent on the competence of the personnel performing it, and the suitability of the equipment and facilities used. Agencies that meet the criteria of Practice D3740 are generally considered capable of competent and objective testing/sampling/inspection/etc. Users of this standard are cautioned that compliance with Practice D3740 does not in itself assure reliable results. Reliable results depend on many factors; Practice D3740 provides a means of evaluating some of those factors.

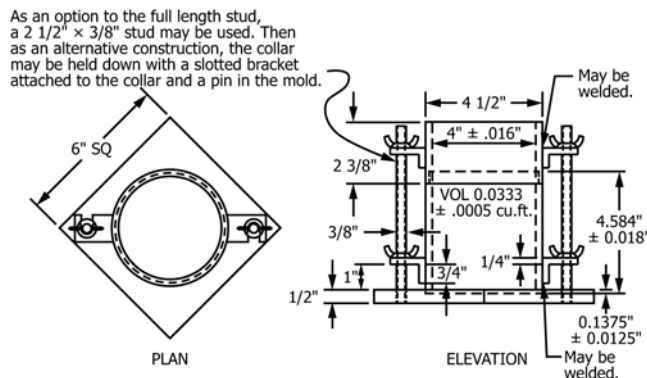
6. Apparatus

6.1 *Mold Assembly*—The molds shall be cylindrical in shape, made of rigid metal and be within the capacity and dimensions indicated in 6.1.1 or 6.1.2 and Fig. 1 and Fig. 2. See also Table 1. The walls of the mold may be solid, split, or tapered. The “split” type may consist of two half-round sections, or a section of pipe split along one element, which can be securely locked together to form a cylinder meeting the requirements of this section. The “tapered” type shall have an internal diameter taper that is uniform and not more than 0.200 in./ft (16.7 mm/m) of mold height. Each mold shall have a base plate and an extension collar assembly, both made of rigid metal and constructed so they can be securely attached and easily detached from the mold. The extension collar assembly shall have a height extending above the top of the mold of at least 2.0 in. (51 mm) which may include an upper section that flares out to form a funnel, provided there is at least a 0.75-in. (19-mm) straight cylindrical section beneath it. The extension collar shall align with the inside of the mold. The bottom of the base plate and bottom of the centrally recessed area that accepts the cylindrical mold shall be planar within ±0.005 in. (±0.1 mm).

6.1.1 *Mold, 4 in.*—A mold having a 4.000 ± 0.016 -in. (101.6 ± 0.4-mm) average inside diameter, a height of 4.584 ± 0.018 in. (116.4 ± 0.5 mm) and a volume of 0.0333 ± 0.0005 ft³ (943.0 ± 14.0 cm³). A mold assembly having the minimum required features is shown in Fig. 1.

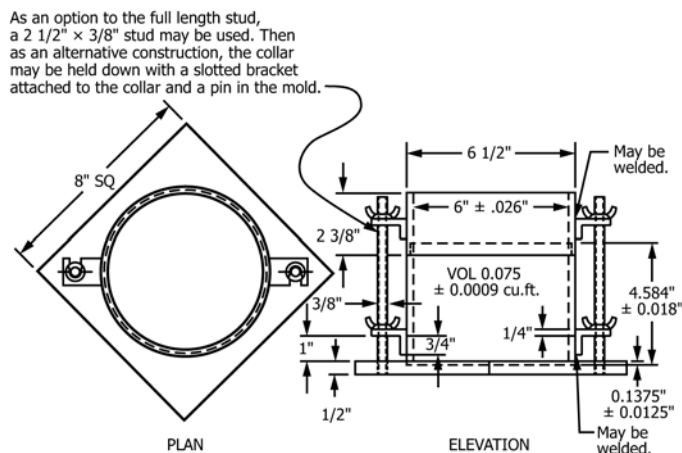
6.1.2 *Mold, 6 in.*—A mold having a 6.000 ± 0.026 -in. (152.4 ± 0.7-mm) average inside diameter, a height of 4.584 ± 0.018 in. (116.4 ± 0.5 mm), and a volume of 0.0750 ± 0.0009 ft³ (2124 ± 25 cm³). A mold assembly having the minimum required features is shown in Fig. 2.

6.2 *Rammer*—A rammer, either manually operated as described further in 6.2.1 or mechanically operated as described in 6.2.2. The rammer shall fall freely through a distance of 18.00 ± 0.05 in. (457.2 ± 1.3 mm) from the surface of the specimen. The weight of the rammer shall be 10.00 ± 0.02 lbf (44.48 ± 0.09 N, or mass of 4.5364 ± 0.009 kg), except that the weight of the mechanical rammers may be adjusted as described in Practices D2168 (see Note 6). The striking face of



NOTE 1—See Table 1 for SI equivalents.

FIG. 1 Cylindrical Mold, 4.0-in.



NOTE 1—See Table 1 for SI equivalents.

FIG. 2 Cylindrical Mold, 6.0-in.

TABLE 1 SI Equivalents for Figs. 1 and 2

in.	mm
0.016	0.41
0.026	0.66
0.032	0.81
0.028	0.71
1/2	12.70
2 3/8	60.33
2 1/2	63.50
2 5/8	66.70
4	101.60
4 1/2	114.30
4.584	116.43
4 3/4	120.60
6	152.40
6 1/2	165.10
6 5/8	168.30
6 3/4	171.40
8 1/4	208.60
ft ³	cm ³
1/30 (0.0333)	943
0.0005	14
1/13.333 (0.0750)	2,124
0.0011	31

the rammer shall be planar and circular, except as noted in 6.2.2.1, with a diameter when new of 2.000 ± 0.005 in. (50.80 ± 0.13 mm). The rammer shall be replaced if the striking face becomes worn or bellied to the extent that the diameter exceeds 2.000 ± 0.01 in. (50.80 ± 0.25 mm).

NOTE 6—It is a common and acceptable practice to determine the weight of the rammer using either a kilogram or pound balance and assume 1 lbf is equivalent to 0.4536 kg, 1 lbf is equivalent to 1 lbm, or 1 N is equivalent to 0.2248 lbf or 0.1020 kg.

6.2.1 *Manual Rammer*—The rammer shall be equipped with a guide sleeve that has sufficient clearance that the free fall of the rammer shaft and head is not restricted. The guide sleeve shall have at least four vent holes at each end (eight holes total) located with centers 3/4 ± 1/16 in. (19 ± 2 mm) from each end and spaced 90° apart. The minimum diameter of the vent holes shall be 3/8 in. (9.5 mm). Additional holes or slots may be incorporated in the guide sleeve.

6.2.2 *Mechanical Rammer-Circular Face*—The rammer shall operate mechanically in such a manner as to provide

uniform and complete coverage of the specimen surface. There shall be 0.10 ± 0.03-in. (2.5 ± 0.8-mm) clearance between the rammer and the inside surface of the mold at its smallest diameter. The mechanical rammer shall meet the standardization/calibration requirements of Practices D2168. The mechanical rammer shall be equipped with a positive mechanical means to support the rammer when not in operation.

6.2.2.1 *Mechanical Rammer-Sector Face*—The sector face can be used with the 6.0-in. (152.4-mm) mold, as an alternative to the circular face mechanical rammer described in 6.2.2. The striking face shall have the shape of a sector of a circle of radius equal to 2.90 ± 0.02 in. (73.7 ± 0.5 mm) and an area about the same as the circular face (see 6.2). The rammer shall operate in such a manner that the vertex of the sector is positioned at the center of the specimen and follow the compaction pattern given in Fig. 3(b).

6.3 *Sample Extruder (optional)*—A jack, with frame or other device adapted for the purpose of extruding compacted specimens from the mold.

6.4 *Balance*—A Class GP5 balance meeting the requirements of Specification D4753 for a balance of 1-g readability. If the water content of the compacted specimens is determined using a representative portion of the specimen, rather than the whole specimen, and if the representative portion is less than 1000 g, a Class GP2 balance having a 0.1-g readability is needed in order to comply with Test Methods D2216 requirements for determining water content to 0.1 %.

NOTE 7—Use of a balance having an equivalent capacity and a readability of 0.002 lbm as an alternative to a class GP5 balance should not be regarded as nonconformance to this standard.

6.5 *Drying Oven*—Thermostatically controlled oven, capable of maintaining a uniform temperature of 230 ± 9°F (110 ± 5°C) throughout the drying chamber. These requirements typically require the use of a forced-draft type oven. Preferably the oven should be vented outside the building.

6.6 *Straightedge*—A stiff metal straightedge of any convenient length but not less than 10 in. (250 mm). The total length of the straightedge shall be machined straight to a tolerance of

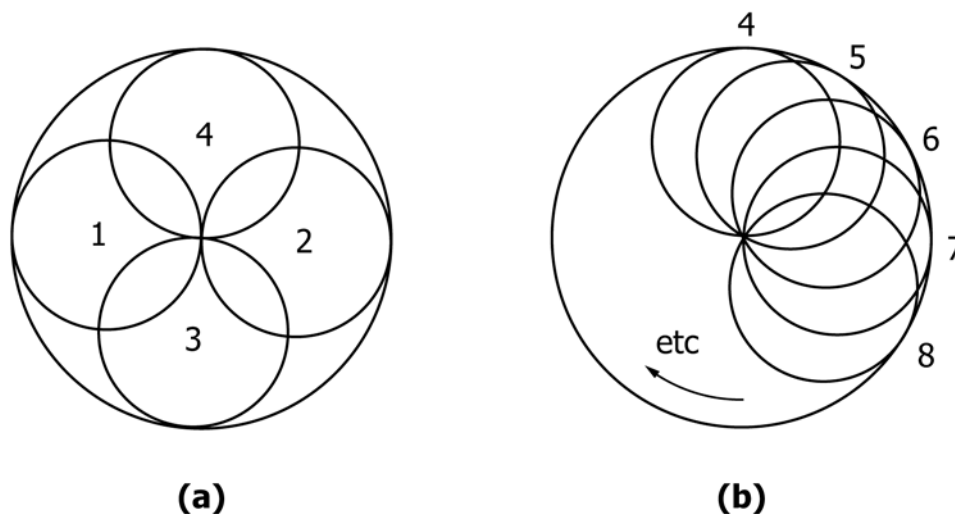


FIG. 3 Rammer Pattern for Compaction in 4-in. (101.6-mm) Mold

±0.005 in. (±0.1 mm). The scraping edge shall be beveled if it is thicker than 1/8 in. (3 mm).

6.7 *Sieves*—3/4 in. (19.0 mm), 3/8 in. (9.5 mm), and No. 4 (4.75 mm), conforming to the requirements of Specification E11.

6.8 *Mixing Tools*—Miscellaneous tools such as mixing pan, spoon, trowel, spatula, spray device (to add water evenly), and (preferably, but optional) a suitable mechanical device for thoroughly mixing the subspecimen of soil with increments of water.

7. Standardization/Calibration

7.1 Perform standardizations before initial use, after repairs or other occurrences that might affect the test results, at intervals not exceeding 1000 test specimens, or annually, whichever occurs first, for the following apparatus:

7.1.1 *Balance*—Evaluate in accordance with Specification D4753 or Practice E319.

7.1.2 *Molds*—Determine the volume as described in Annex A1.

7.1.3 *Manual Rammer*—Verify the free fall distance, rammer weight, and rammer face are in accordance with 6.2. Verify the guide sleeve requirements in accordance with 6.2.1.

7.1.4 *Mechanical Rammer*—Verify and adjust if necessary that the mechanical rammer in accordance with Practices D2168. In addition, the clearance between the rammer and the inside surface of the mold shall be verified in accordance with 6.2.2.

8. Test Specimen

8.1 The minimum test specimen (test fraction) mass for Methods A and B is about 16 kg, and for Method C is about 29 kg of dry soil. Therefore, the field sample (see Practices D4220 for practices of preserving and transporting soil samples) should have a moist mass of at least 23 kg and 45 kg, respectively. Greater masses would be required if the oversize fraction is large (see 10.2 or 10.3) or an additional molding water content is taken during compaction of each point (see 10.4.1).

8.2 If gradation data is not available, estimate the percentage of material (by mass) retained on the No. 4 (4.75-mm), 3/8-in. (9.5-mm), or 3/4-in. (19.0-mm) sieve as appropriate for selecting Method A, B, or C, respectively. If it appears the percentage retained of interest is close to the allowable value for a given Method (A, B, or C), then either:

8.2.1 Select a Method that allows a higher percentage retained (B or C).

8.2.2 Using the sieve size designated for the Method of interest, process the specimen in accordance with 10.2 or 10.3 herein. This determines the percentage of material retained for that method. If the percentage retained is acceptable, proceed. If the percentage retained is not acceptable, go to Method B or C using the next larger sieve size.

8.2.3 Determine percentage retained values using a representative portion from the total sample, and performing a simplified or complete gradation analysis using the sieve(s) of interest and Test Method D6913 or C136. It is only necessary to calculate the retained percentage(s) for the sieve or sieves for which information is desired.

9. Preparation of Apparatus

9.1 Select the proper compaction mold(s), collar, and base plate in accordance with the Method (A, B, or C) being used. Check that the volume of the mold is known and whether the volume was determined with or without the base plate. Also, check that the mold is free of nicks or dents, and that the mold will fit together properly with the collar and base plate.

9.2 Check that the manual or mechanical rammer assembly is in good working condition and that parts are not loose or worn. Make any necessary adjustments or repairs. If adjustments or repairs are made, the rammer must be restandardized.

10. Procedure

10.1 Soils:

10.1.1 Do not reuse soil that has been previously compacted in the laboratory. The reuse of previously compacted soil yields a significantly greater maximum dry unit weight (1).