



SLOVENSKI STANDARD

SIST EN 61754-4:1997

01-december-1997

Fibre optic connector interfaces - Part 4: Type SC connector family (IEC 61754-4:1997)

Fibre optic connector interfaces -- Part 4: Type SC connector family

Steckgesichter von Lichtwellenleiter-Steckverbindern -- Teil 4: Bauart SC Steckverbinderfamilie

Interfaces de connecteurs pour fibres optiques -- Partie 4: Famille de connecteurs du type SC

iTeh STANDARD PREVIEW

(standards.iteh.ai)

[SIST EN 61754-4:1997](https://standards.iteh.ai/catalog/standards/sist/e69fa0b2-c62e-4b96-9a6d-c4d90587d99e/sist-en-61754-4-1997)

Ta slovenski standard je istoveten z: **EN 61754-4:1997**

<https://standards.iteh.ai/catalog/standards/sist/e69fa0b2-c62e-4b96-9a6d-c4d90587d99e/sist-en-61754-4-1997>

ICS:

33.180.20	Povezovalne naprave za optična vlakna	Fibre optic interconnecting devices
-----------	---------------------------------------	-------------------------------------

SIST EN 61754-4:1997

en

iTeh STANDARD PREVIEW
(standards.iteh.ai)

[SIST EN 61754-4:1997](https://standards.iteh.ai/catalog/standards/sist/e69fa0b2-c62e-4b96-9a6d-e4d90589d99e/sist-en-61754-4-1997)

<https://standards.iteh.ai/catalog/standards/sist/e69fa0b2-c62e-4b96-9a6d-e4d90589d99e/sist-en-61754-4-1997>

EUROPEAN STANDARD
NORME EUROPÉENNE
EUROPÄISCHE NORM

EN 61754-4

March 1997

ICS 33.180.20

Descriptors: Optic connector, type SC

English version

Fibre optic connector interfaces
Part 4: Type SC connector family
(IEC 61754-4:1997)

Interface de connecteurs pour
fibres optiques
Partie 4: Famille de connecteurs
type SC
(CEI 61754-4:1997)

Lichtwellenleiter-
Steckverbinderübergänge
Teil 4: Typ SC, Steckverbinderfamilie
(IEC 61754-4:1997)

iTeh STANDARD PREVIEW
(standards.iteh.ai)

[SIST EN 61754-4:1997](https://standards.iteh.ai/catalog/standards/sist/e69fa0b2-c62e-4b96-9a6d-e4d90589d99e/sist-en-61754-4-1997)

<https://standards.iteh.ai/catalog/standards/sist/e69fa0b2-c62e-4b96-9a6d-e4d90589d99e/sist-en-61754-4-1997>

This European Standard was approved by CENELEC on 1997-03-11. CENELEC members are bound to comply with the CEN/CENELEC Internal Regulations which stipulate the conditions for giving this European Standard the status of a national standard without any alteration.

Up-to-date lists and bibliographical references concerning such national standards may be obtained on application to the Central Secretariat or to any CENELEC member.

This European Standard exists in three official versions (English, French, German). A version in any other language made by translation under the responsibility of a CENELEC member into its own language and notified to the Central Secretariat has the same status as the official versions.

CENELEC members are the national electrotechnical committees of Austria, Belgium, Denmark, Finland, France, Germany, Greece, Iceland, Ireland, Italy, Luxembourg, Netherlands, Norway, Portugal, Spain, Sweden, Switzerland and United Kingdom.

CENELEC

European Committee for Electrotechnical Standardization
Comité Européen de Normalisation Electrotechnique
Europäisches Komitee für Elektrotechnische Normung

Central Secretariat: rue de Stassart 35, B - 1050 Brussels



Foreword

The text of document 86B/882/FDIS, future edition 1 of IEC 61754-4, prepared by SC 86B, Fibre optic interconnecting devices and passive components, of IEC TC 86, Fibre optics, was submitted to the IEC-CENELEC parallel vote and was approved by CENELEC as EN 61754-4 on 1997-03-11.

The following dates were fixed:

- latest date by which the EN has to be implemented
at national level by publication of an identical
national standard or by endorsement (dop) 1997-12-01
- latest date by which the national standards conflicting
with the EN have to be withdrawn (dow) 1997-12-01

Endorsement notice

The text of the International Standard IEC 61754-4:1997 was approved by CENELEC as a European Standard without any modification.

iTeh STANDARD PREVIEW
(standards.iteh.ai)

[SIST EN 61754-4:1997](https://standards.iteh.ai/catalog/standards/sist/e69fa0b2-c62e-4b96-9a6d-e4d90589d99e/sist-en-61754-4-1997)

<https://standards.iteh.ai/catalog/standards/sist/e69fa0b2-c62e-4b96-9a6d-e4d90589d99e/sist-en-61754-4-1997>

NORME
INTERNATIONALE
INTERNATIONAL
STANDARD

CEI
IEC

61754-4

Première édition
First edition
1997-01

Interfaces de connecteurs pour fibres optiques –

**Partie 4:
Famille de connecteurs du type SC**

STANDARD PREVIEW
Fibre optic connector interfaces –
(standards.iteh.ai)

**Part 4:
Type SC connector family**

<https://standards.iteh.ai/catalog/standards/sist/e69fa0b2-c62e-4b96-9a6d-e4d90589d99e/sist-en-61754-4-1997>

© IEC 1997 Droits de reproduction réservés — Copyright - all rights reserved

Aucune partie de cette publication ne peut être reproduite ni utilisée sous quelque forme que ce soit et par aucun procédé, électronique ou mécanique, y compris la photocopie et les microfilms, sans l'accord écrit de l'éditeur.

No part of this publication may be reproduced or utilized in any form or by any means, electronic or mechanical, including photocopying and microfilm, without permission in writing from the publisher

International Electrotechnical Commission
Telefax: +41 22 919 0300

e-mail: inmail@iec.ch

3, rue de Varembeé Geneva, Switzerland
IEC web site <http://www.iec.ch>



Commission Electrotechnique Internationale
International Electrotechnical Commission
Международная Электротехническая Комиссия

CODE PRIX
PRICE CODE

K

*Pour prix, voir catalogue en vigueur
For price, see current catalogue*

CONTENTS

	Page
FOREWORD	5
Clause	
1 Scope	7
2 Description	7
3 Interfaces	7
Figures and tables	9 to 19

iTeh STANDARD PREVIEW
(standards.iteh.ai)

SIST EN 61754-4:1997

<https://standards.iteh.ai/catalog/standards/sist/e69fa0b2-c62e-4b96-9a6d-e4d90589d99e/sist-en-61754-4-1997>

INTERNATIONAL ELECTROTECHNICAL COMMISSION

—————

**FIBRE OPTIC CONNECTOR INTERFACES –
Part 4: Type SC connector family**

FOREWORD

- 1) The IEC (International Electrotechnical Commission) is a worldwide organization for standardization comprising all national electrotechnical committees (IEC National Committees). The object of the IEC is to promote international co-operation on all questions concerning standardization in the electrical and electronic fields. To this end and in addition to other activities, the IEC publishes International Standards. Their preparation is entrusted to technical committees; any IEC National Committee interested in the subject dealt with may participate in this preparatory work. International, governmental and non-governmental organizations liaising with the IEC also participate in this preparation. The IEC collaborates closely with the International Organization for Standardization (ISO) in accordance with conditions determined by agreement between the two organizations.
- 2) The formal decisions or agreements of the IEC on technical matters express, as nearly as possible, an international consensus of opinion on the relevant subjects since each technical committee has representation from all interested National Committees.
- 3) The documents produced have the form of recommendations for international use and are published in the form of standards, technical reports or guides and they are accepted by the National Committees in that sense.
- 4) In order to promote international unification, IEC National Committees undertake to apply IEC International Standards transparently to the maximum extent possible in their national and regional standards. Any divergence between the IEC Standard and the corresponding national or regional standard shall be clearly indicated in the latter.
- 5) The IEC provides no marking procedure to indicate its approval and cannot be rendered responsible for any equipment declared to be in conformity with one of its standards.
- 6) Attention is drawn to the possibility that some of the elements of this International Standard may be the subject of patent rights. The IEC shall not be held responsible for identifying any or all such patent rights.

International Standard IEC 1754-4 has been prepared by subcommittee 86B: Fibre optic interconnecting devices and passive components, of IEC technical committee 86: Fibre optics.

The text of this standard is based on the following documents:

FDIS	Report on voting
86B/882/FDIS	86B/928/RVD

Full information on the voting for the approval of this standard can be found in the report on voting indicated in the above table.

FIBRE OPTIC CONNECTOR INTERFACES – Part 4: Type SC connector family

1 Scope

This part of IEC 1754 defines the standard interface dimensions for type SC family of connectors.

2 Description

The parent connector for the type SC connector family is a single position plug connector which is characterized by a 2,5 mm nominal ferrule diameter. It includes a push-pull coupling mechanism which is spring loaded relative to the ferrule in the direction of the optical axis. The plug has a single male key which may be used to orient and limit the relative position between the connector and the component to which it is mated. The optical alignment mechanism of the connector is of a resilient sleeve style.

3 Interfaces

This standard contains the following standard interfaces:

Interface 4-1: simplex plug connector interface – push/pull, PC

Interface 4-2: simplex adaptor connector interface – push/pull

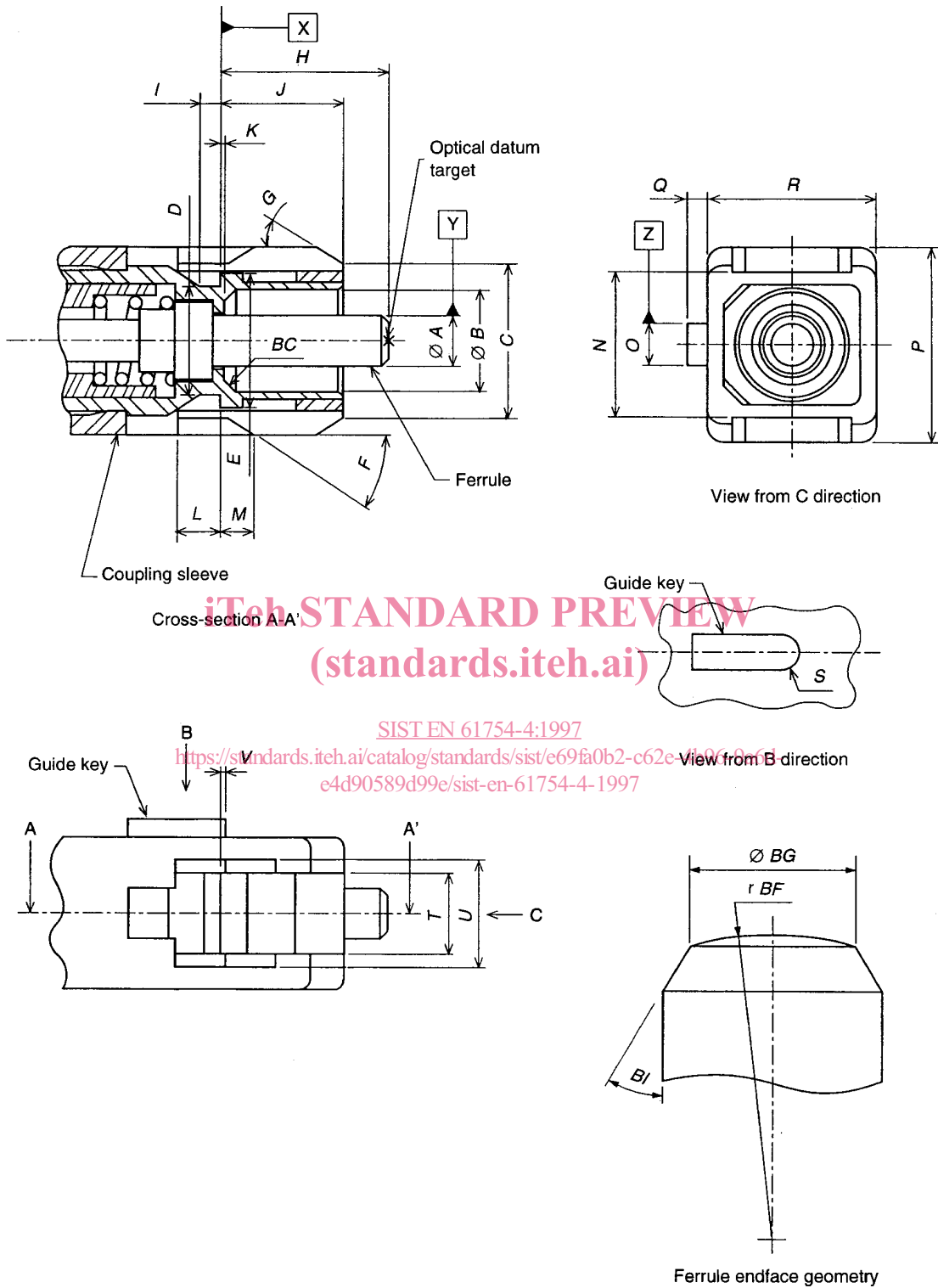
The simplex plug has a ferrule with a spherical polished ferrule endface, and realizes physical contact (PC).

The following interfaces are intermateable:

Interface 4-1 mates with Interface 4-2.

iTeh STANDARD PREVIEW
(standards.iteh.ai)

SIST EN 61754-4:1997
<https://standards.iteh.ai/catalog/standards/sist/e69fa0b2-c62e-4b96-9a6d-e4d90589d99a/sist-en-61754-4-1997>



STANDARD PREVIEW
 (standards.iteh.ai)

SIST EN 61754-4:1997
<https://standards.iteh.ai/catalog/standards/sist/e69fa0b2-c62e-4106-8061-e4d90589d99e/sist-en-61754-4-1997>

Figure 1 – Simplex plug connector interface